

SHELTER

MODEL:C604020

W18xL12.19xH6M

ASSEMBLE MANUAL

Congratulations on your purchase of our instant shelter. This unit is a combination of excellent manufacturing and design. It is comprised of a rigid frame and a durable cover. For easy assembly, we have marked all the parts with codes. With proper installation, use and maintenance, your unit will provide many years of good and suitable service.

READ ALL THE INSTRUCTIONS BEFORE ASSEMBLY !

1. The proper erection and installation of this building requires a high level of care and safety. We recommend the safety regulations be complied with during the installation. It includes but is not limited to:
 - Safety hats, protective eyewear and protective clothing
 - Safety harnesses for all elevated workers
 - Proper ladder, cage, and safety operation
2. Site selection: Choose a solid level location for your building. Do not install the building where the ground could not keep the building steady. Do not install the building where the ground could not bear the weight of the building. Do not install the building in soft grass ground or wetland.
3. Be cautious with the surroundings. Keep work area clean. Do not set up it near snow drifts, in slippery places, or in wet location. The cover of the building will protect against normal falling leaves and light debris, however, large, fast or sharp falling items etc. may cause a puncture or tear in the cover material. So, keep the building away from such harmful things. Be careful with power and heat sources. Don't keep heat sources near the tarpaulin. Don't expose to open flame.
4. Choose a windless day to install the building. It is very difficult to attach the cover in heavy wind.
5. All snow accumulation on the main cover should be removed as soon as possible. Otherwise, when old snow on the roof becomes hard with new snow falling in, it will increase the burden of the roof badly and will damage the roof.
6. Try to keep the building, especially its base, in a dry condition. This will help the building to have a longer life than keeping it in a wet condition.
7. The user should be responsible for the parts missing or damage occurred during the installation.
8. Don't make alteration of the frame. Don't hang anything besides included parts to the frame. Damages, consequential damages, or injuries caused by improper installation, alteration, improper use, or damages caused by snow, wind, or any acts of nature are owing to the user. The building is not intended for occupancy for any length of time.

ASSEMBLY PROCEDURE

1. Prepare location and place all unit boxes near location sight. Perform an inventory check before beginning, to be certain all components are available for installation.
2. Secure base plates flanges to base surface.
3. Assemble every group of arch.
4. Begin frame assembly with front end arch, first interior arch, purlins, etc.
5. Add to assemble other groups of arches.
6. Install main cover over frame.
7. Install end covers over end panels.

Read all the detailed instructions and notices in the following assembly instructions!

MAINTENANCE AND CARE

1. If some parts or the cover were accidentally damaged during the use, contact the local supplier for advises on the repairing method or replacements, so that to prevent from further damage and keep the building in a good condition.
2. When replacing the parts, make certain the whole frame and the parts connected to the replaced parts be well fixed or supported.
3. Same with when attaching the cover, choose a windless day to replace the cover. Begin with making certain all the bolts of the frame and the tensioning equipments be well fixed. When taking off the cover, make sure the related ropes, etc. be taken off, and the cover will not be blocked during the way. Avoid taking off the cover with heavy big power equipments.
4. For the building with mechanical door. Keep the door closed if it is not used for long time. This helps the mechanical door to have a longer life.
5. To enlongate the life of the cover, put small duct tape or foam rubber (provide it by yourself) on the frame that comes to in contact with cover. The tape and foam rubber acts as a cushion to avoid rubbing damage to the cover over years.
6. Periodically(once in half a year or more often), the building should be completely inspected and maintained internally and externally to make certain the building remains properly installed and secured. Including: check all bolts and hardware connectors to be certain they are in place and tightened, the base plates are still fixed firmly, check and adjust the ropes if in need, clean the cover with suitable washing. Allowing dirt and debris to sit on cover over an extended time will damage cover irreparably.

Thanks again for choosing this quality product. The following is the detailed assembly instructions for you starting the assembly.

Part List of Model# JIT-594920C(L12.19xW18.0xH6.0m)

Part Code	Description	Qty
1	Top roof tube	5
2	Upper roof truss	10
3	Lower roof truss	10
4	Shoulder roof truss	10
5	Sidewall tube	10
6	Horizontal tube	44
7L	Base plate of left corner	2
7R	Base plate of right corner	2
8	Base plate of sidewall tube	6
	Tie down ratchet	10
9	Wind brace support	48
9A	Clip for wind brace support	96
10	Cover tensioning tube (in two sides of roof pocket)	8+2
11	Steel wire	5
	Turnbuckle	5+10
11A	"U" Clip	5
12	Carriage bolt M10x85mm	60
13	Connecting screw M16x30mm	170
14	Bolt M20x40mm for connecting the base	44
15	Connecting screw M10x30mm	100
16	Plastic Cap for tensioning tube	4
17	Roof cover	1
18	Lace rope for end of roof cover	4
19	Nylon band for tie down ratchet on Part#8	10
20	Blanket	40
21	Tie down ratchet of four corners	4
22	Cover tensioning tube (in two ends of roof pocket)	18+2
23	Tie down ratchet of cover tensioning tube	46
24	Nylon bands for Part#23	46

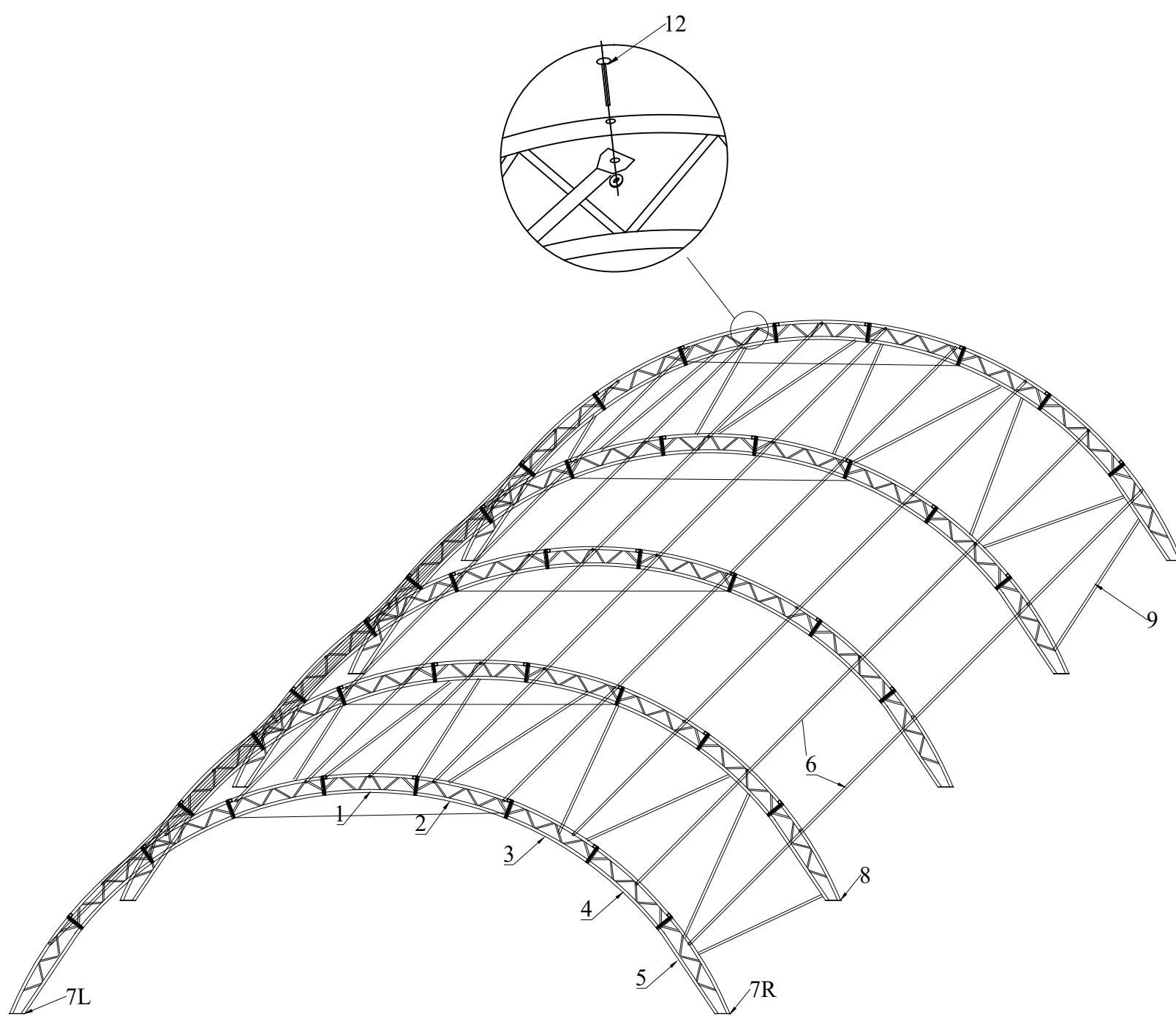


Figure 1 The sketch for the 594020C
W18.0xL12.19xH6.0m

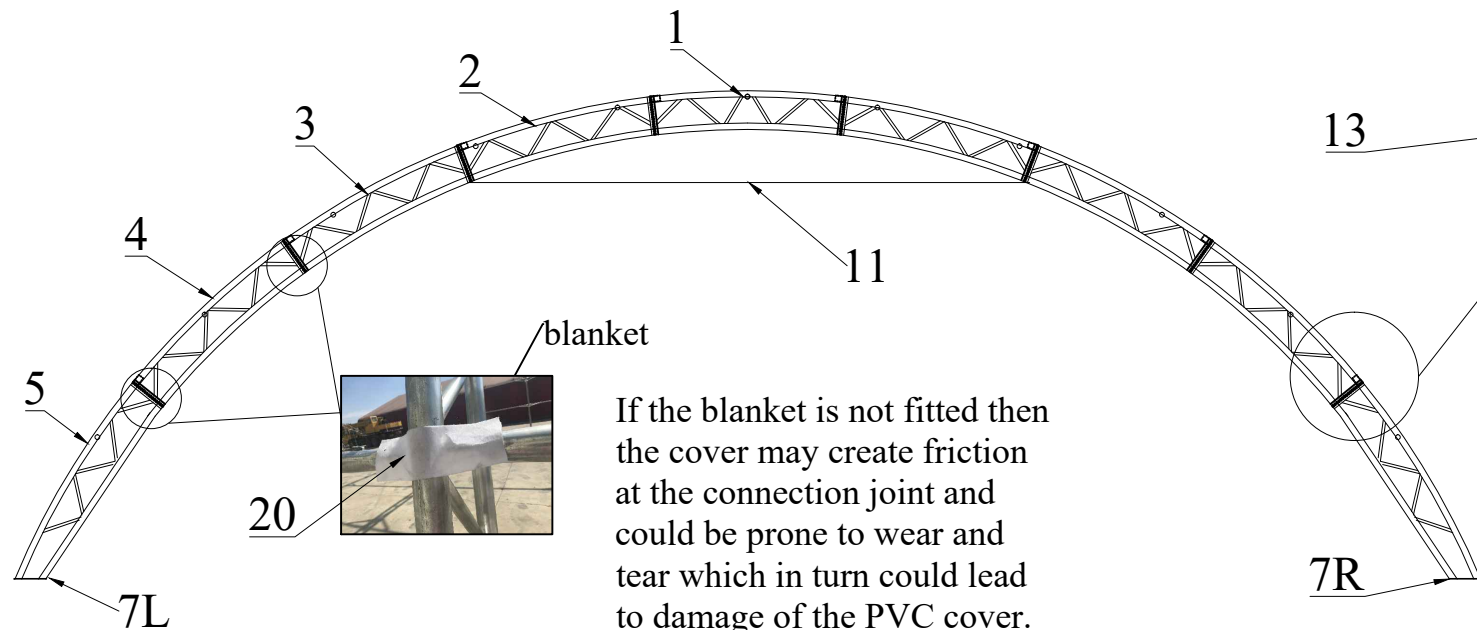
Step #1 --ARCH ASSEMBLY

Assemble ALL the arches including the base plates, and LAY them on the ground first. DO NOT erect them until you finish all the arches assembly.

Each arches consist of:

One Top roof tube (Part # 1), Two Upper roof truss (Part # 2), Two Lower roof truss (Part # 3), Two Shoulder truss (Part # 4), Two Sidewall tube (Part # 5), Two Base plates (Part #7L/7R/8) Connect the arches by Using the hexagon bolts with washers and nuts(part #13) through predrilled holes in frame members.

NOTE: Please notice that the part code of the arch sections. The sections of middle,front and back arches are not the same. Check with the Part List and the Sketch Figure.



If the blanket is not fitted then the cover may create friction at the connection joint and could be prone to wear and tear which in turn could lead to damage of the PVC cover.

Step #2 --Assembling Roof Purlins

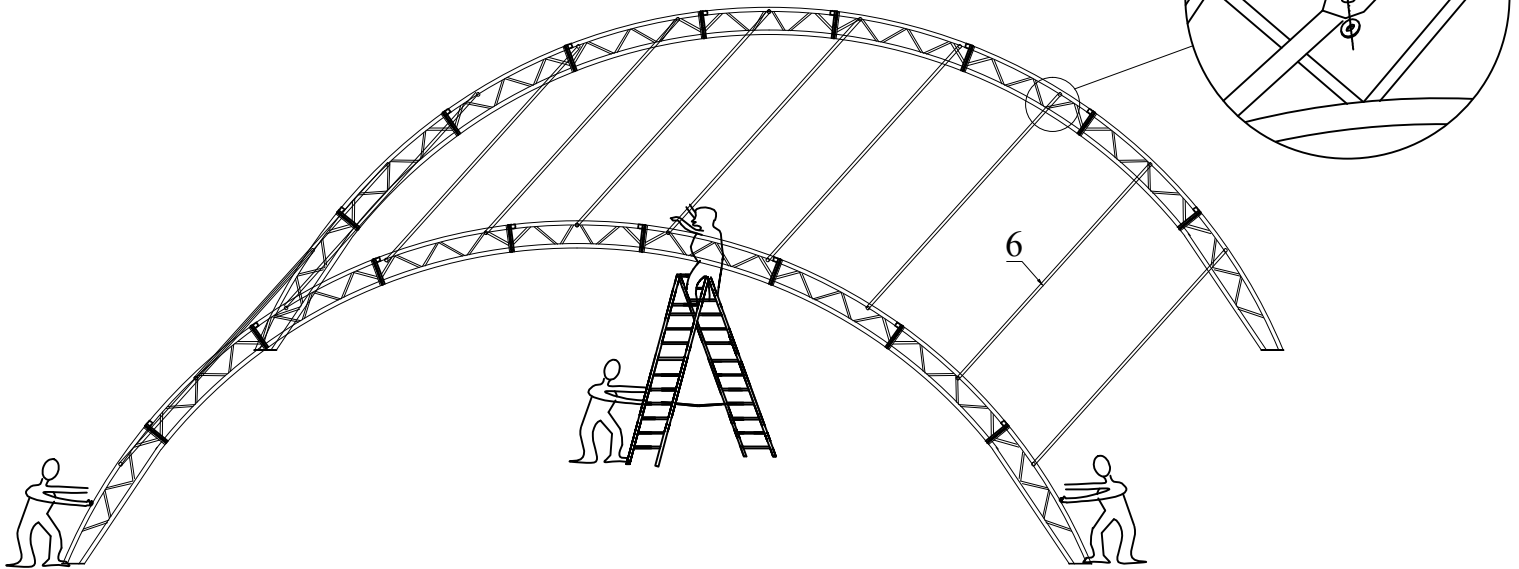


Figure 3

Immediately after erecting the front arch, erect the 2nd arch in the same way. Then connect the two erected arches using Roof Purlin Tubes as figure 4 shows. Secure the Roof Purlin tubes into place using carriage bolts and nuts (part #12).

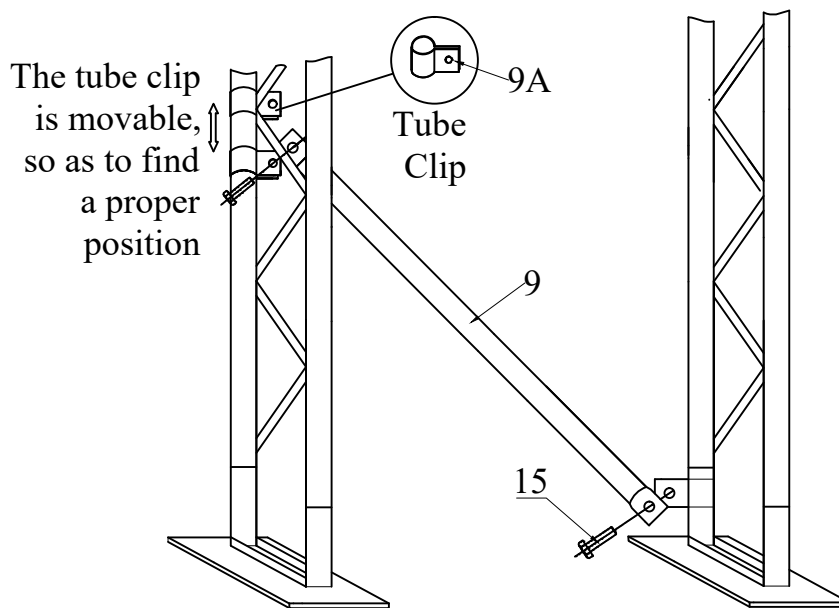


Figure 4: Wind Brace Supports(part 9)

Next install the Wind Brace supports that connect the Front Arch to the first Interior Arch. The Wind Braces give the arch assemblies strength as a unit. Use Bolt M10X30 (Part #15) at the end of each Wind Brace Support to secure.

Continue to install other Arches Assemblies in the same manner. Overlap pinched ends of Roof Purlin onto same carriage bolts inside frame assembly.

Next check entire frame assembly for square and plumb. Adjust Wind Braces and Roof Purlin as necessary to bring frame into plumb. Next tighten frame bolts adequately.

Step #3 --SECURING BASE FLANGES

Sit the building boxes in the chosen location. Remove all the components from packaging to ensure all components are present by checking with the Part List.



ROOF COVER INSTALLATION

Step #4 --POSITION ROOF COVER

As figure 5 shows, when ready to install Roof Cover, unpack cover and lay parallel to building frame on one side. Cover must be pulled over top of frame assembly without being snagged or stressed on any frame members. Use multiple ropes over top of frame as shown in picture below. Having another person inside frame on a ladder to assist in getting Roof Cover over frame will insure the cover will go on without any damage.

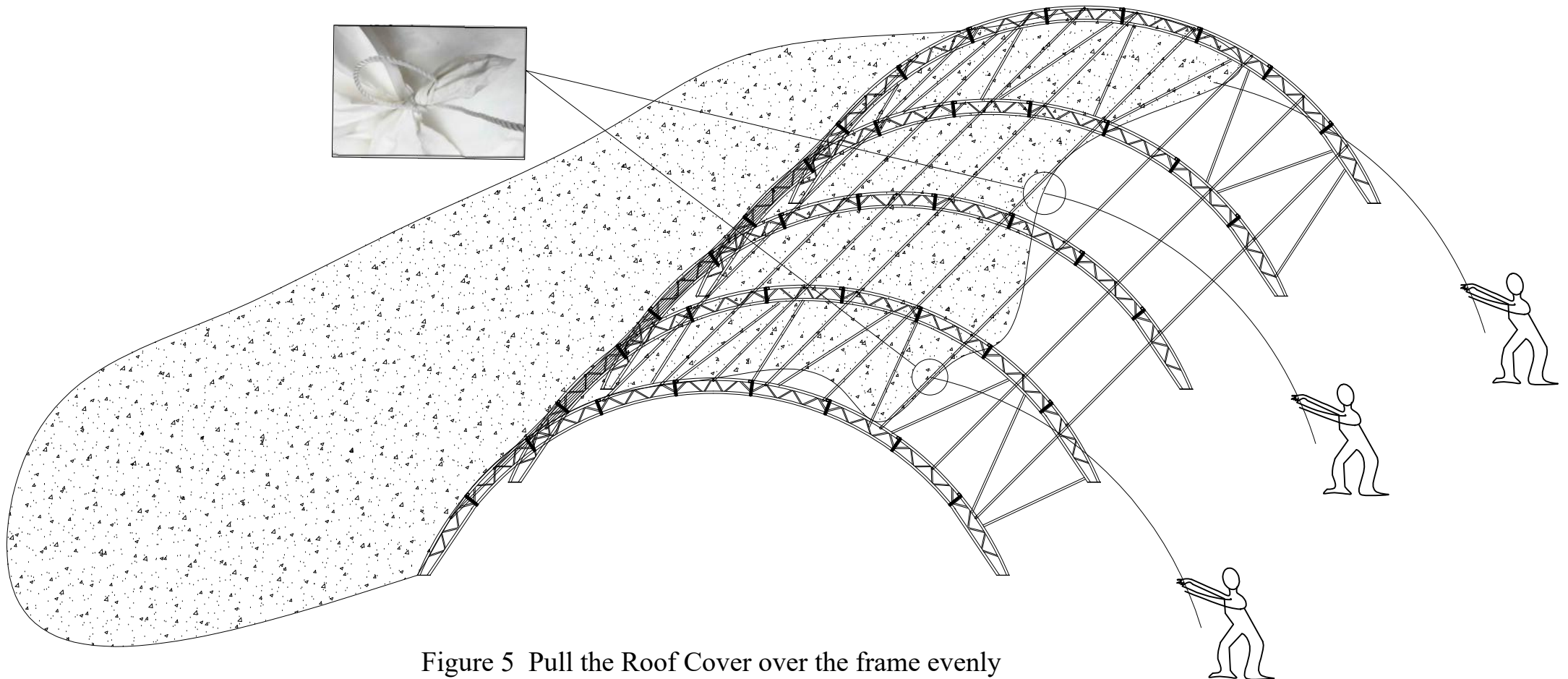
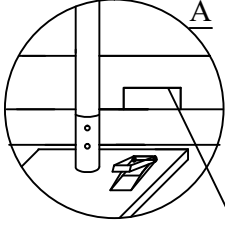
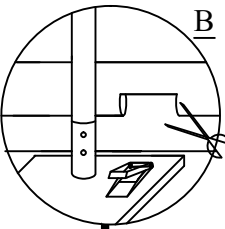


Figure 5 Pull the Roof Cover over the frame evenly

Step #5 --TENSION COVER ON FRAME FROM SIDE-TO-SIDE

As Figure 6 shows, when Roof Cover is over top of Frame Assembly, insert Cover Tensioning Tubes into pockets along both sides of Roof Cover. Center Roof Cover over Frame assembly both side to side and front to back. Align one side of Roof Cover evenly front to back. Add Band for Tie Down Ratchet at each point along the cover opening, as shown. Put Band for Tie Down Ratchets over Cover Tensioning Tubes at each Base Plate along one side. Bands do not attach to Tensioning Tubes, but loop around and secure at both ends on ratchet. Next take up slack in tie bands by ratcheting the mechanisms, tightening cover. Evenly adjust ratchets on both sides of roof cover to take wrinkles out of roof cover. **DO NOT** fully tighten cover yet. Leave adequate slack so that cover can also be adjusted front to back in next step.

Then make the cuts using forfex along the outlines.



Before inserting the cover tensioning tube(part #10) into pocket of roof cover, you need to make cuts for band of Ratchet on the cover first. Firstly please draw the outline of the cuts according to the position of Ratchet. The position of cuts should be right upon the ratchets.

draw the outline of cuts

First circle the band for tie down ratchet (part#19) around the tensioning tube through the cuts on the pocket of the roof cover.

Then put the bands through the reel of the ratchet, and tension the band by ratchet.

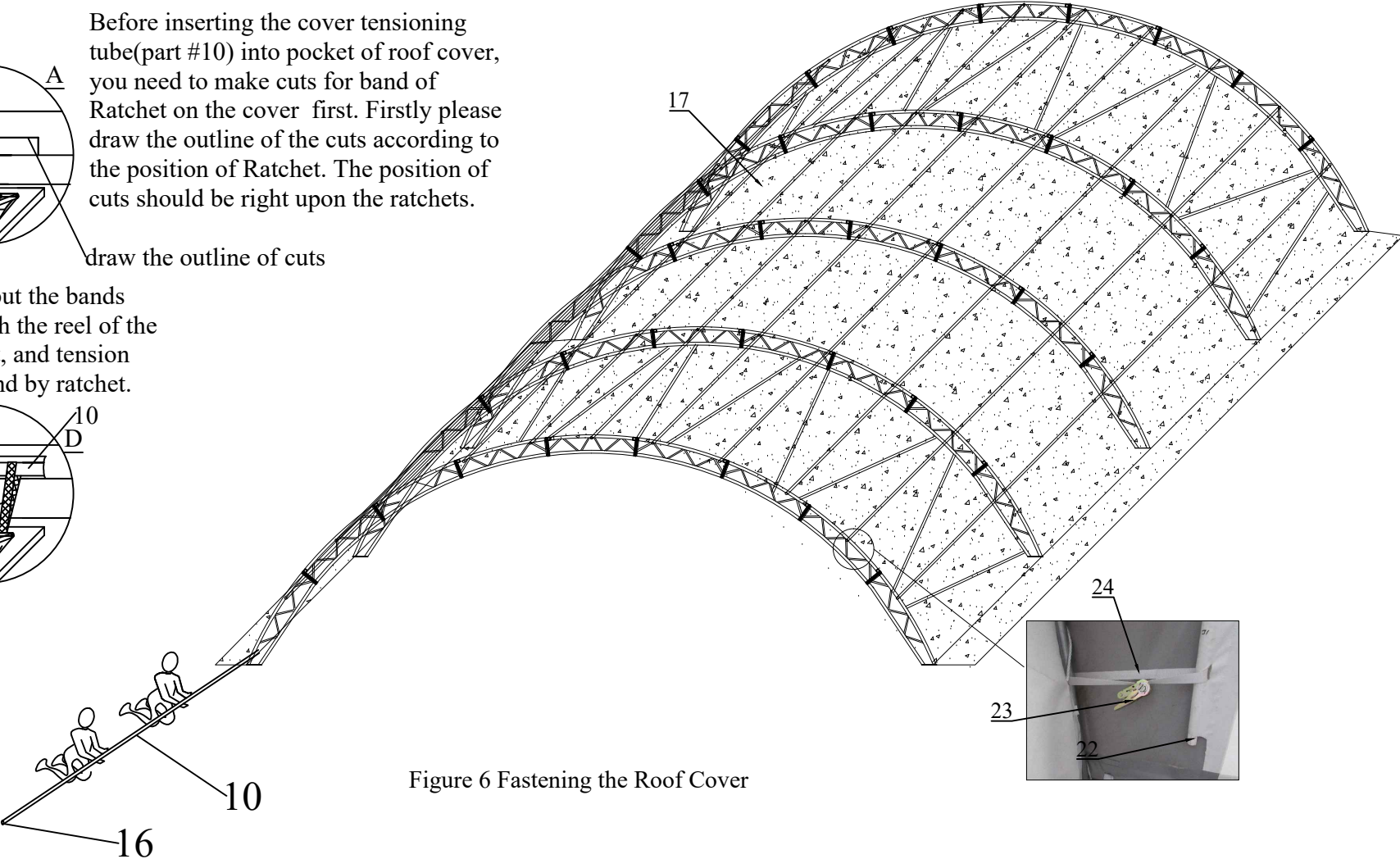
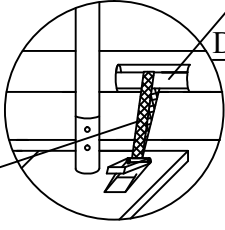
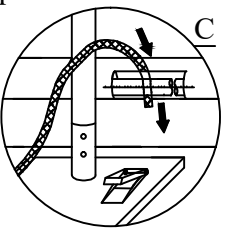


Figure 6 Fastening the Roof Cover