

GREENHOUSE ASSEMBLY MANUAL

Model: EMC-GH3080

Size: W30 ft×L80 ft×H12 ft



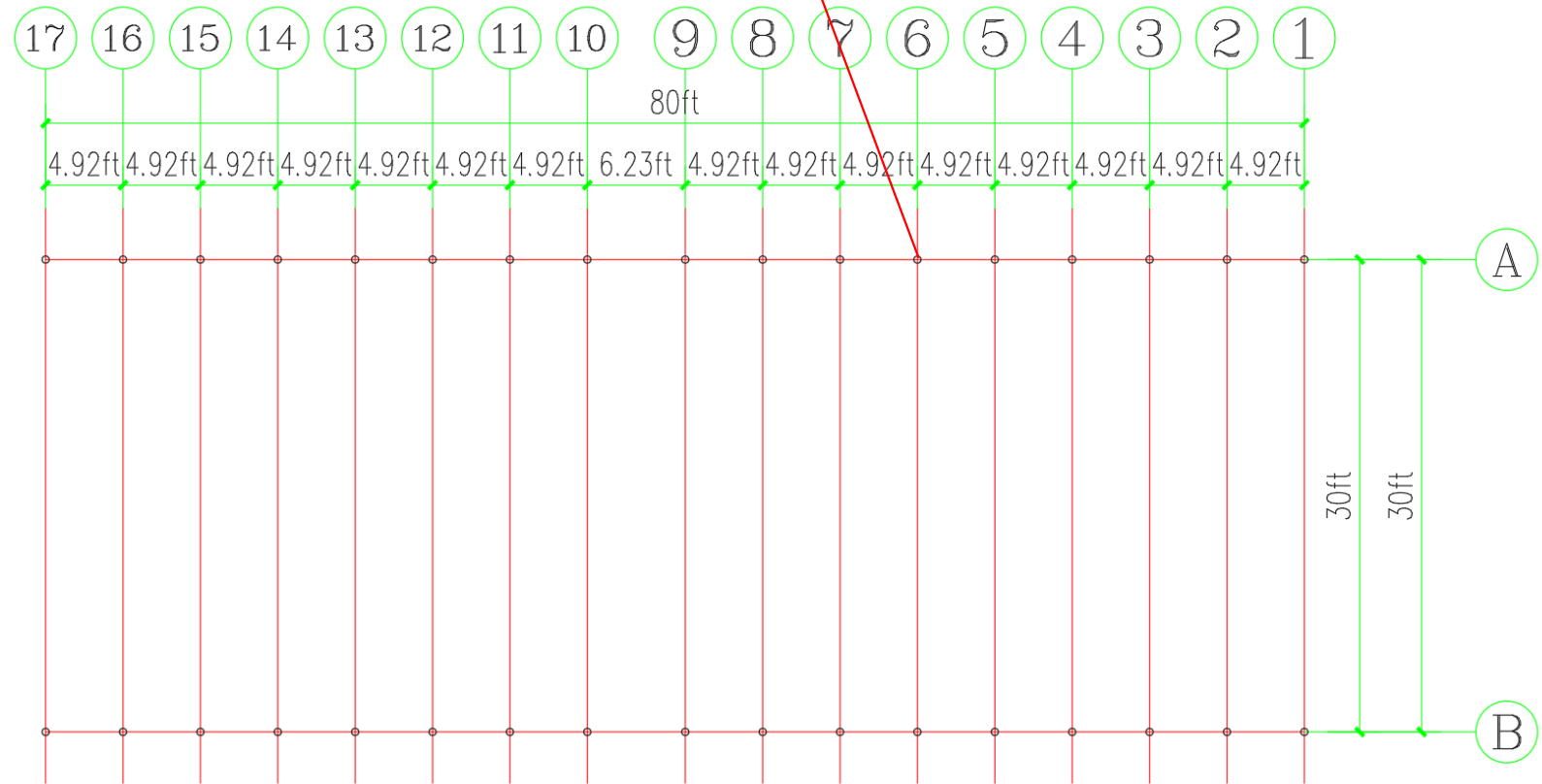
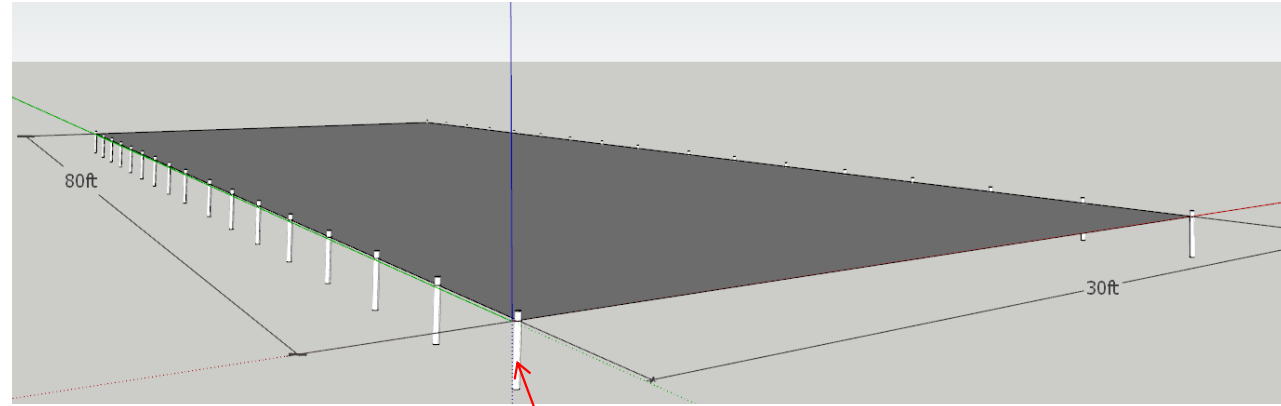
1. Level the site and leave enough space for pre-drainage during rainfall



2. Greenhouse foundation stake positioning

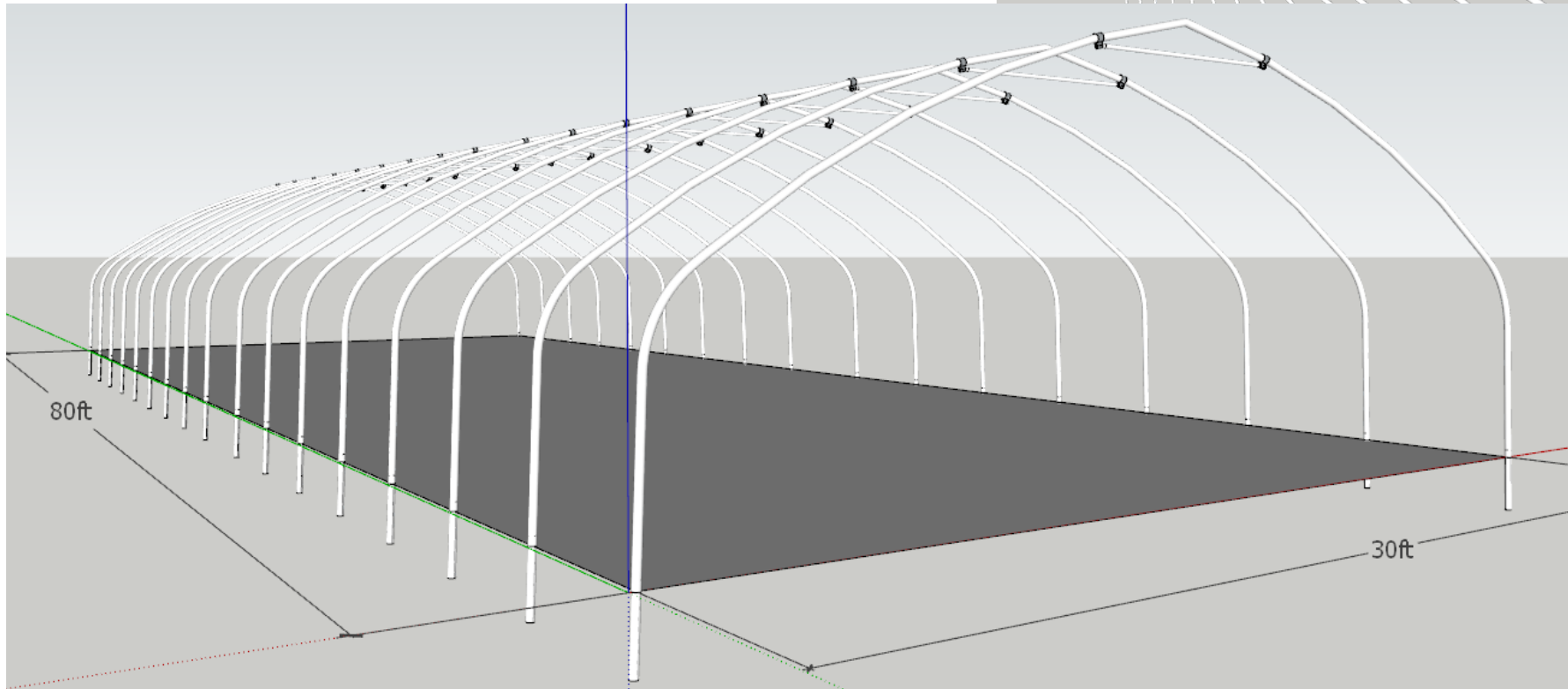
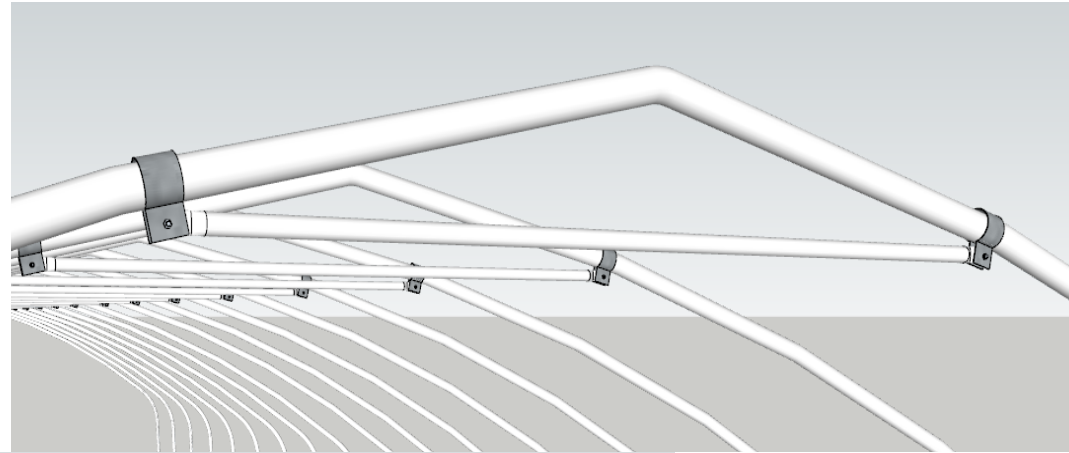
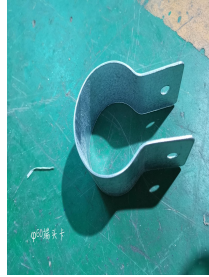
① According to the drawing dimensions, use the long edge as the reference to mark the position of the arch rod foundation stakes with lime.

② Tilt the foundation stakes inward at a 2° angle and drive them 500mm into the ground.



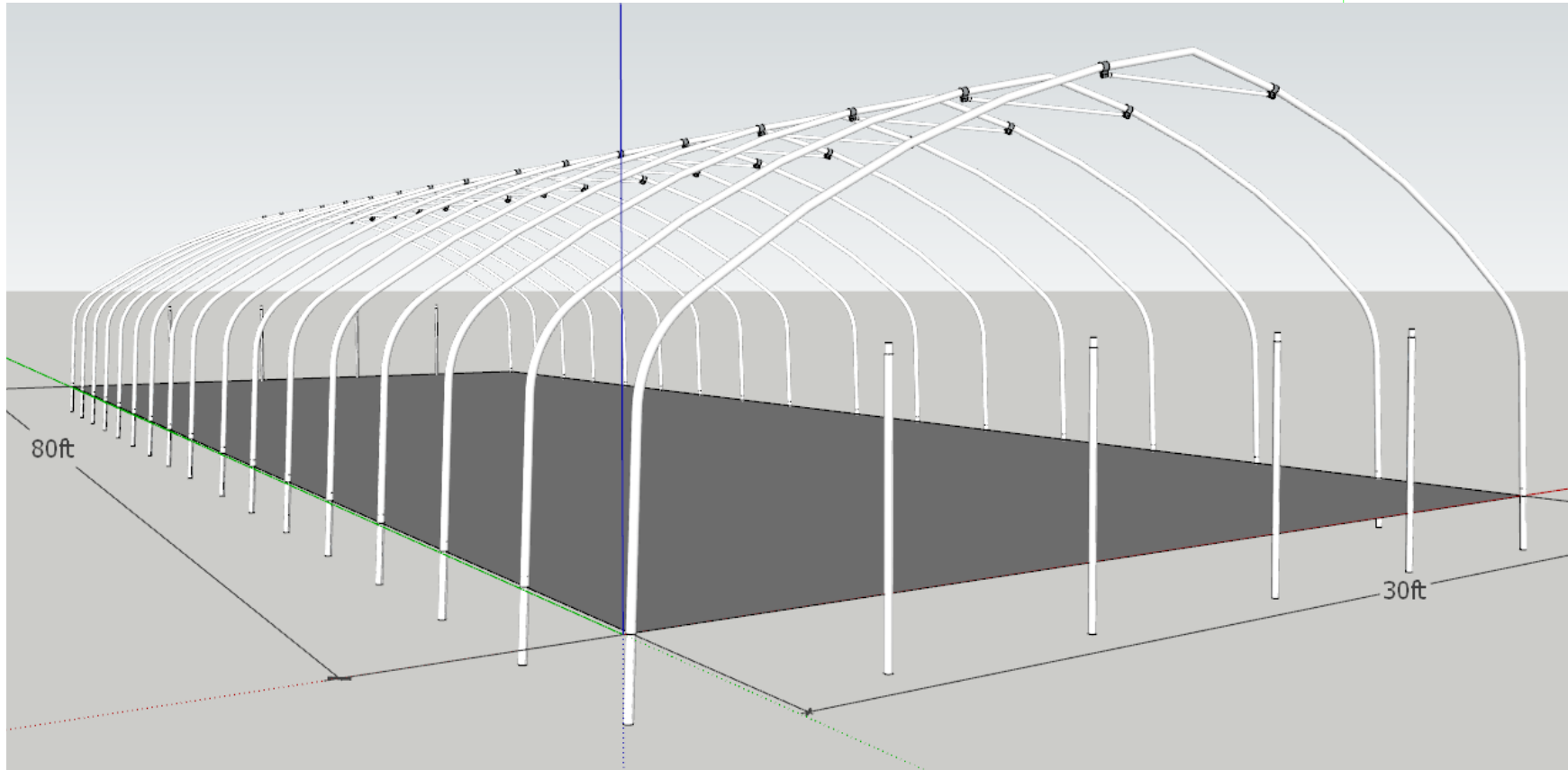
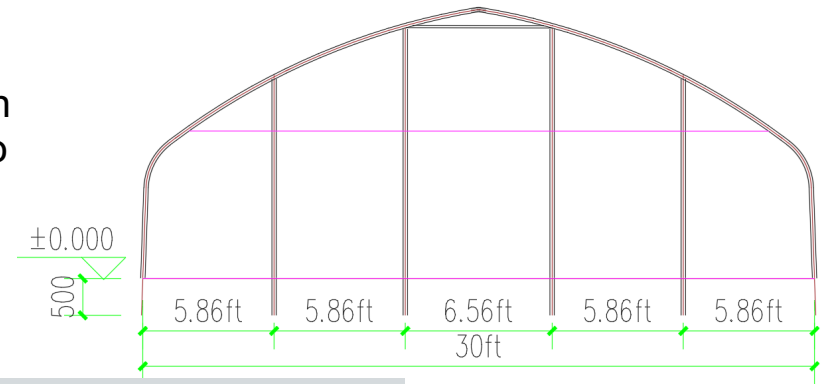
4. Installing the crossbeam

Fix the crossbeam at the top of the greenhouse using end clips.



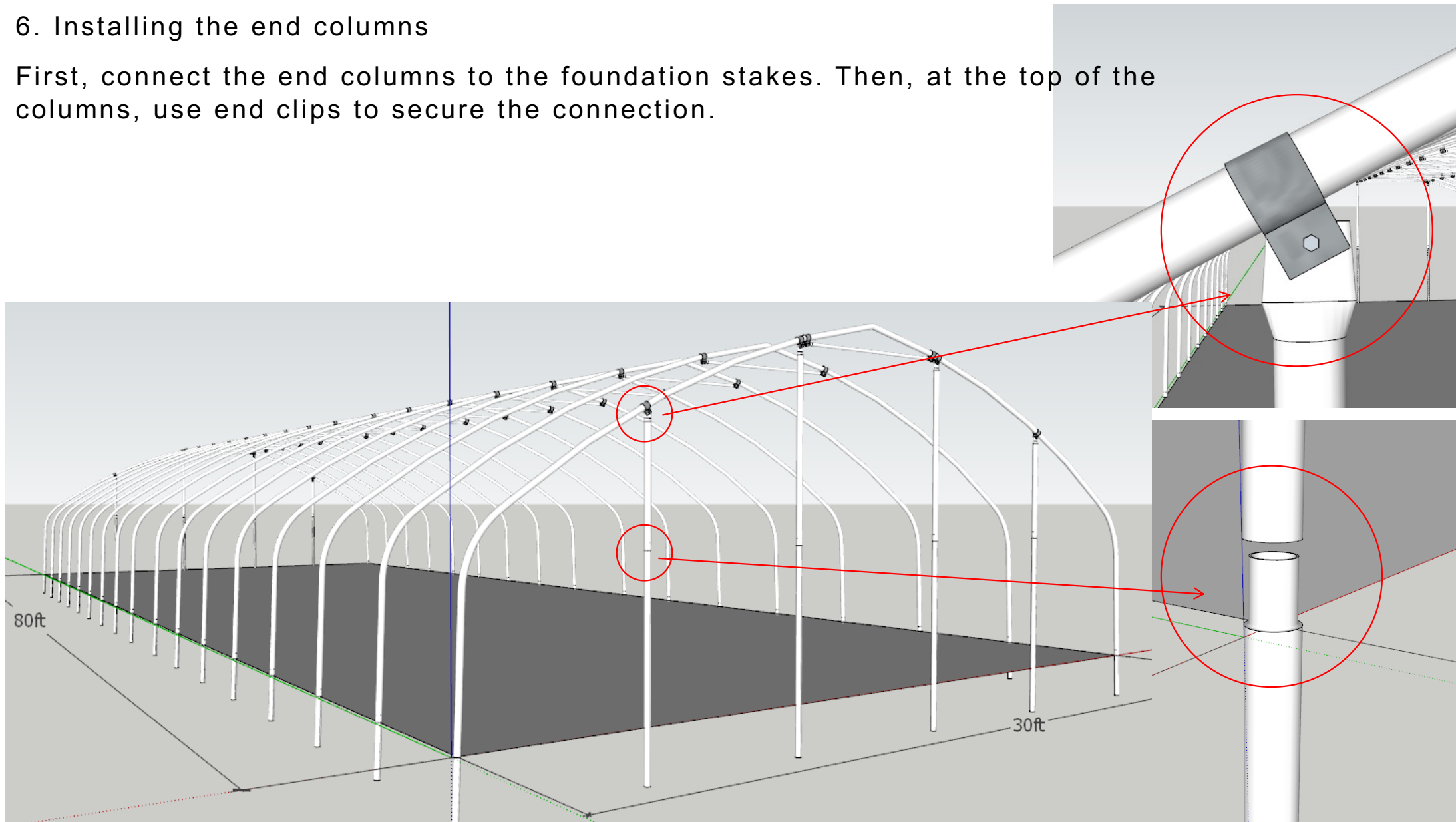
5. Installing the end column foundation stakes

According to the spacing dimensions of the end columns on the end column foundation stakes vertically into the ground to 500mm.



6. Installing the end columns

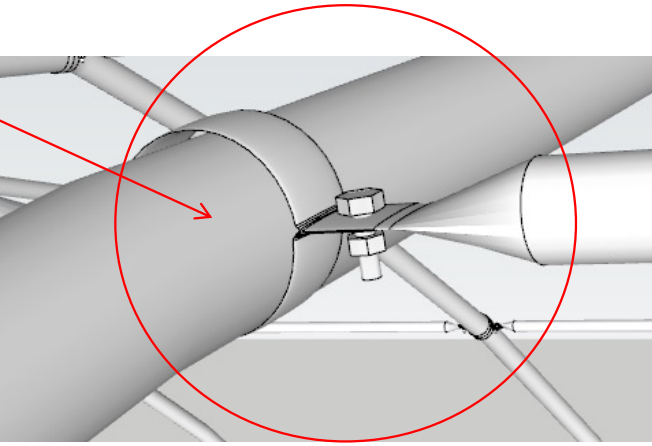
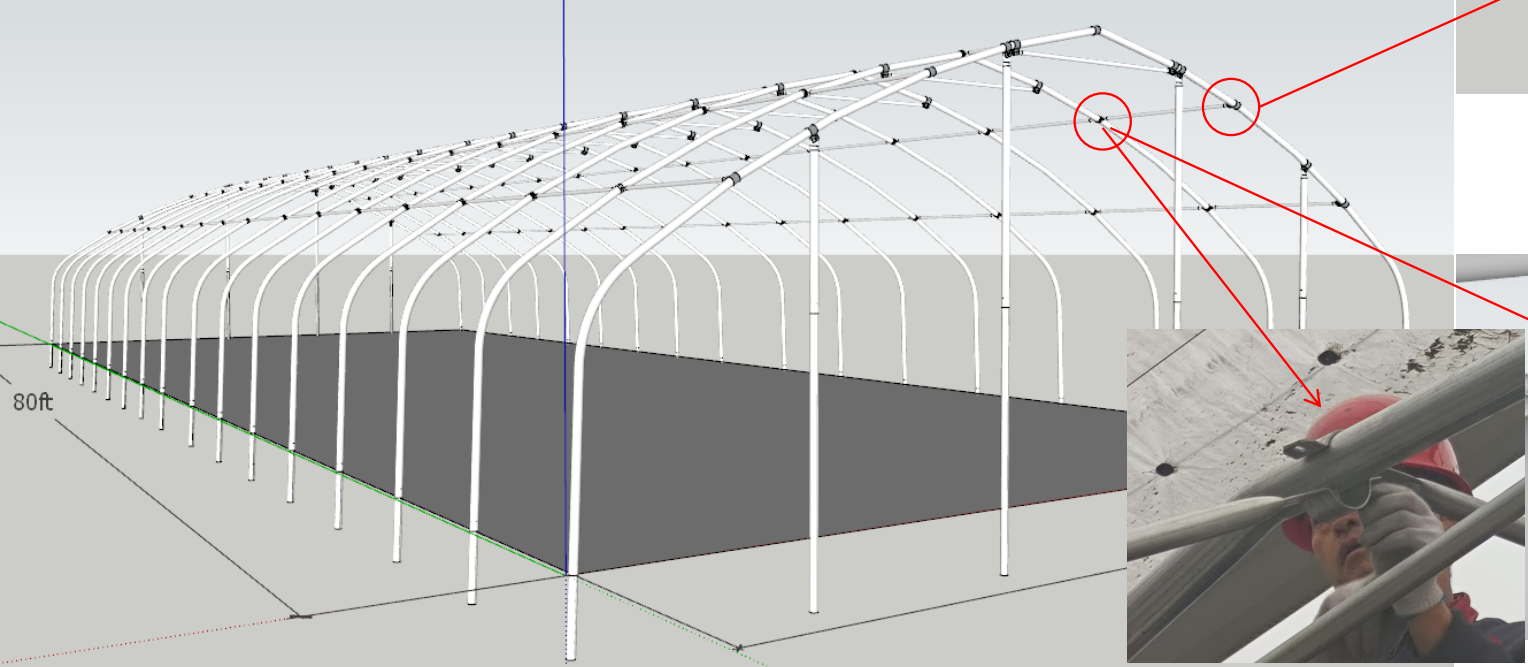
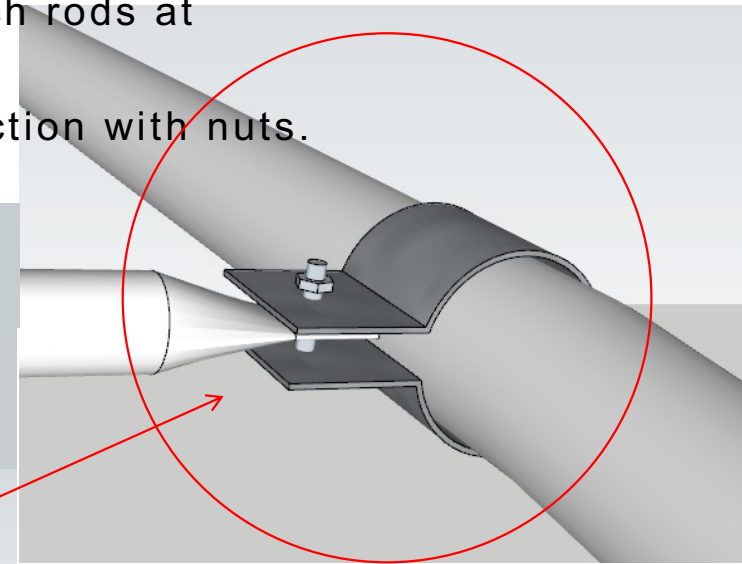
First, connect the end columns to the foundation stakes. Then, at the top of the columns, use end clips to secure the connection.



7. Installing the purlins

First, fix one end of purlin ①, which has been flattened, to the arch rods at both ends using end clips.

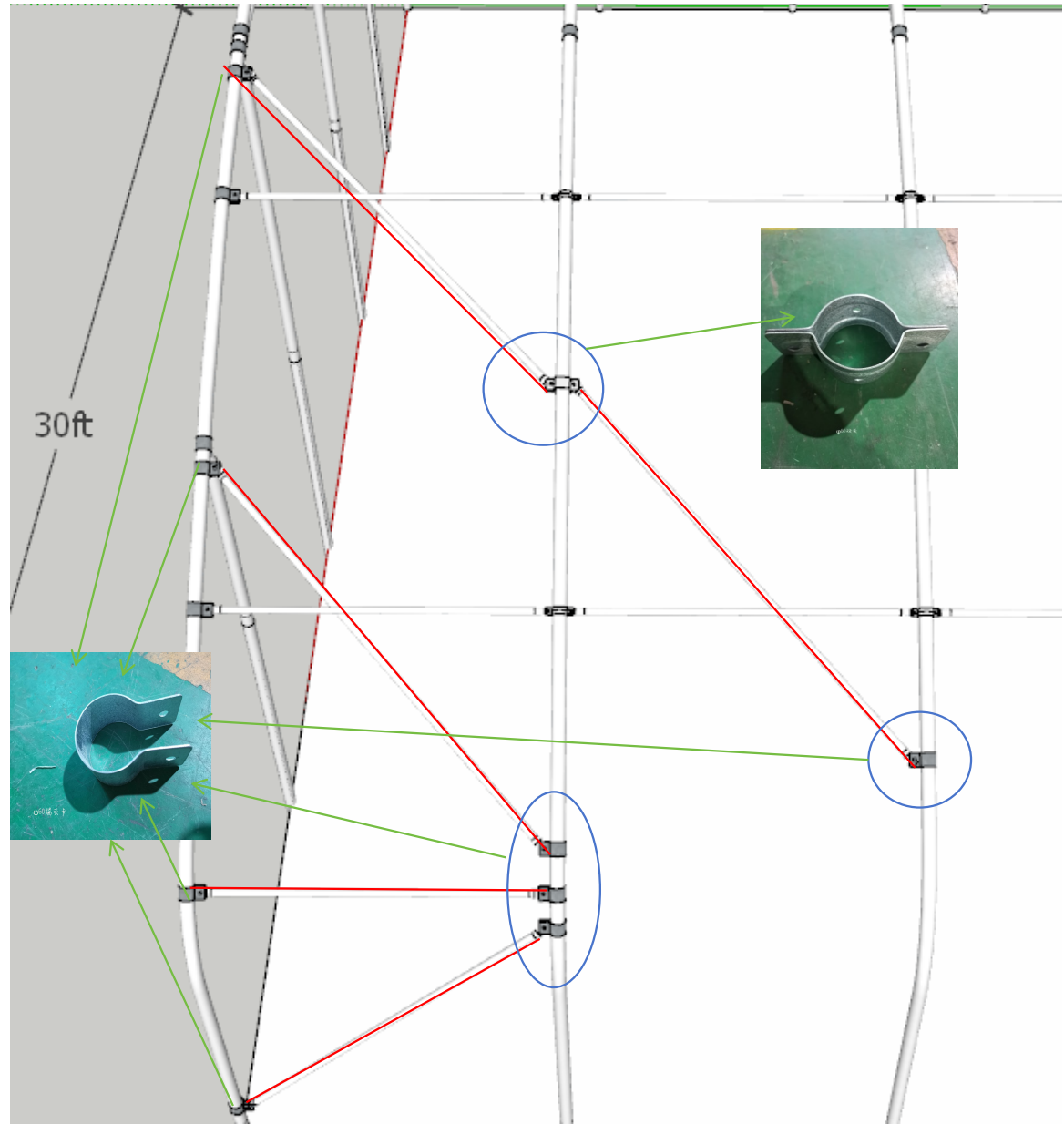
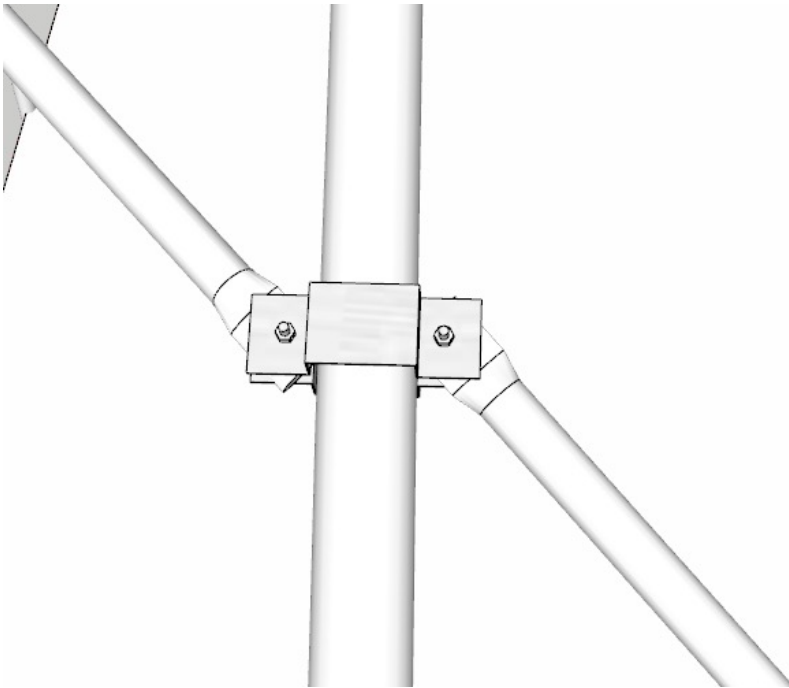
Then, interlock purlin ② onto the arch rods and secure the connection with nuts.



8、Installing diagonal arch rods

Fix the diagonal arch rods to the arch rods using end clips. For the topmost diagonal arch rods, connect both ends to the arch rods using end clips, and secure the middle part to the arch rods using double-head clips.

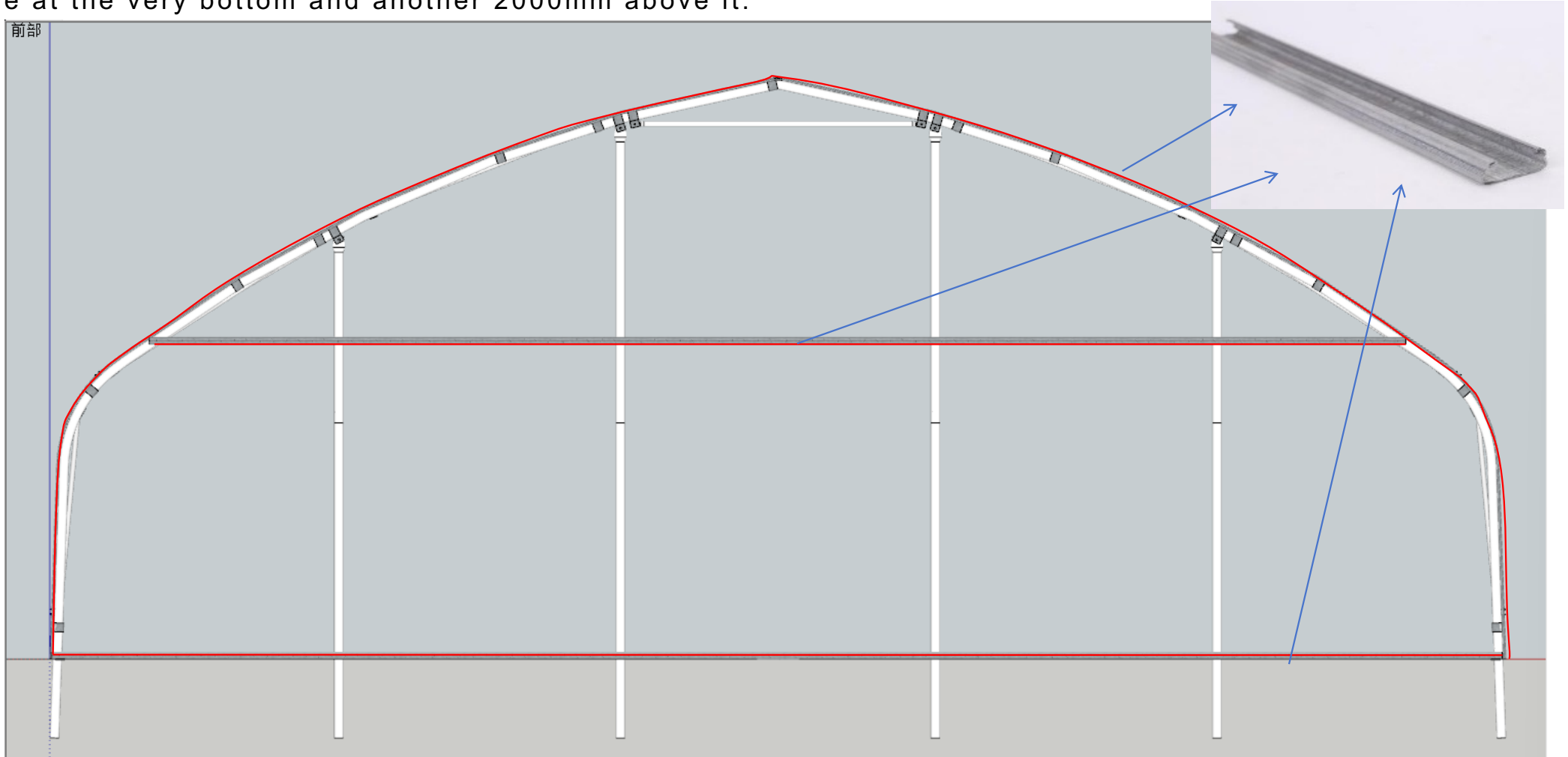
Diagonal arch rods are fixed at all four ends of the greenhouse.



9. Installation of end face card slot.

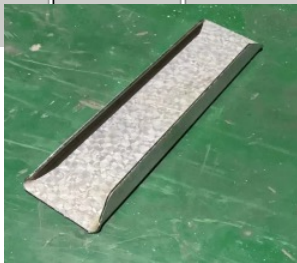
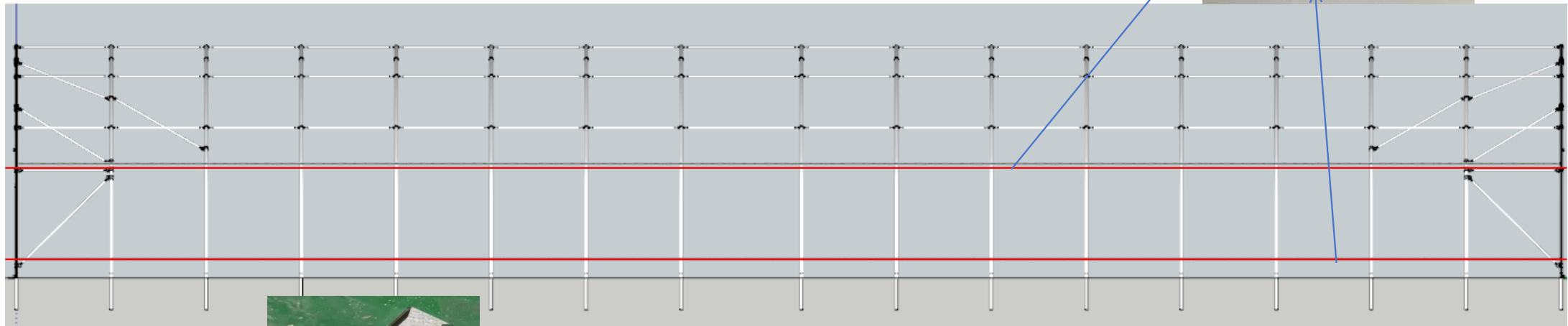
First, install curved card slot on the arch rods at the front and rear ends, securing them with self-tapping screws.

Next, install two rows of card slot on the front and rear end faces of the greenhouse: one at the very bottom and another 2000mm above it.



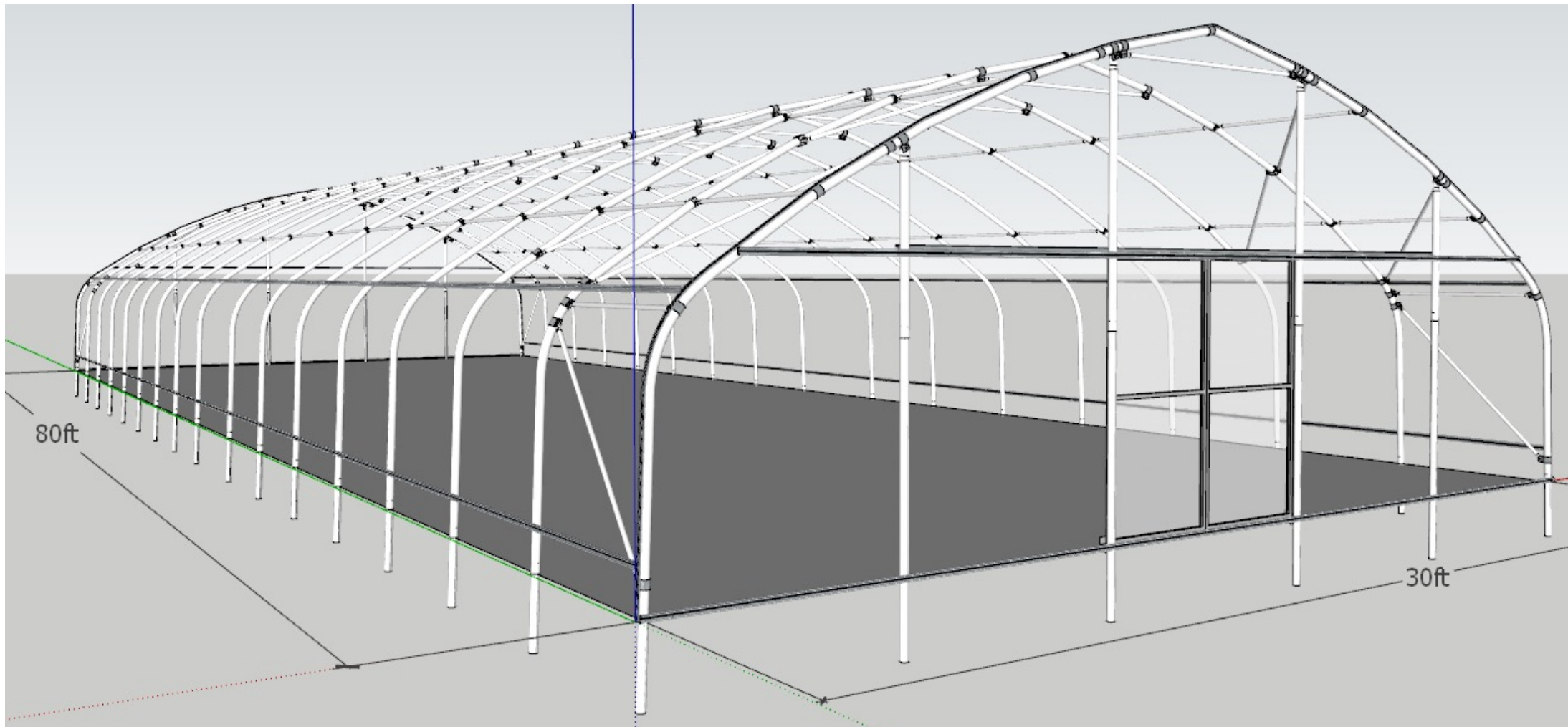
10. Installation of side card slot:

Install two rows of card slot on the sides. The first row should be 300mm above the ground, and the second row 1700mm above the ground. Secure them to the arch rods using self-tapping screws.

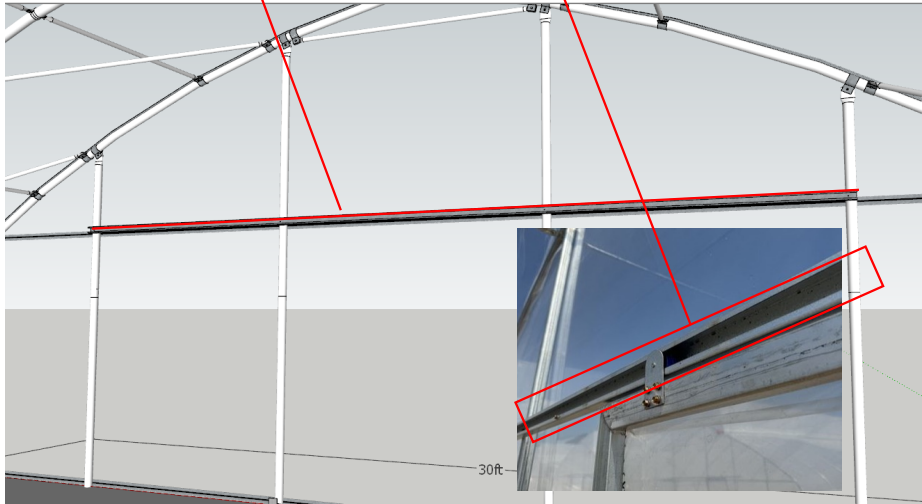


Card slot connecter

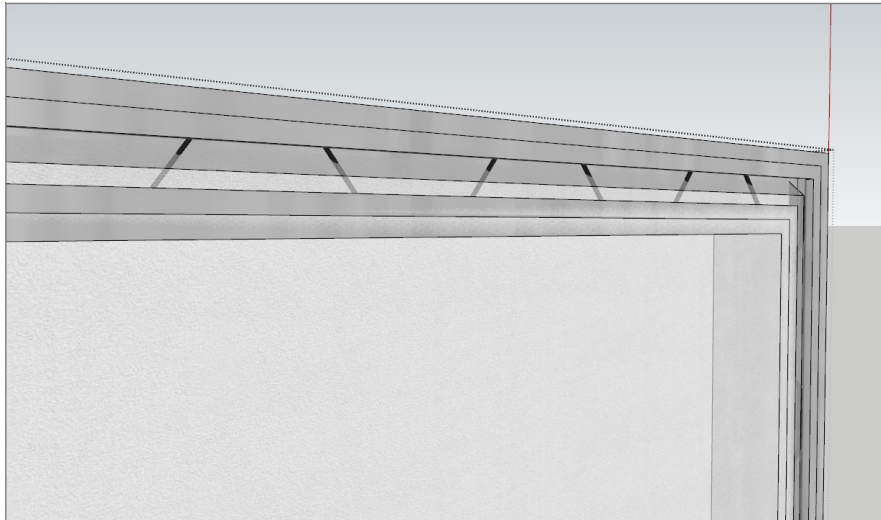
11. Installing the film door



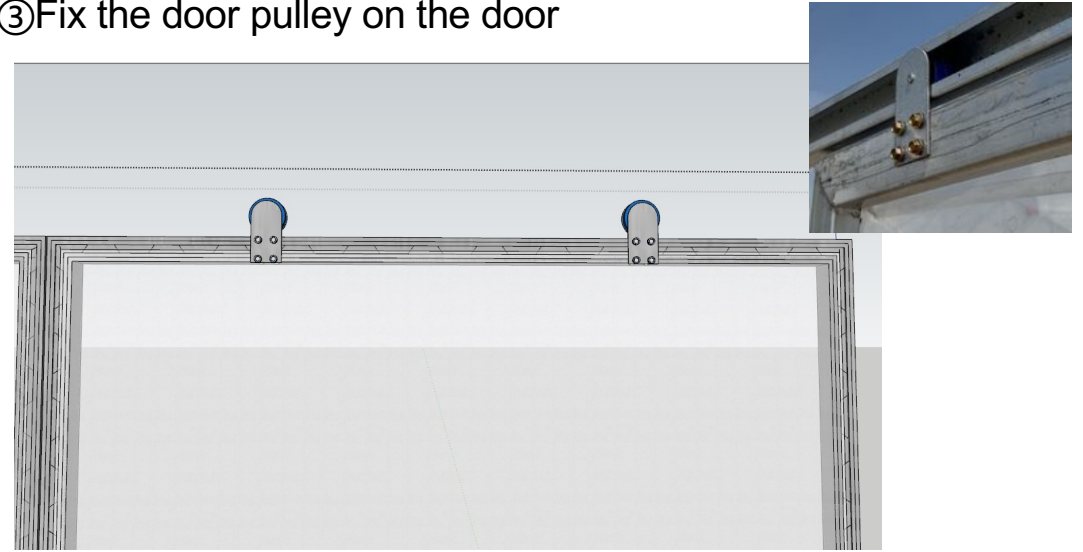
① First, fix the door crossbeam to the columns.



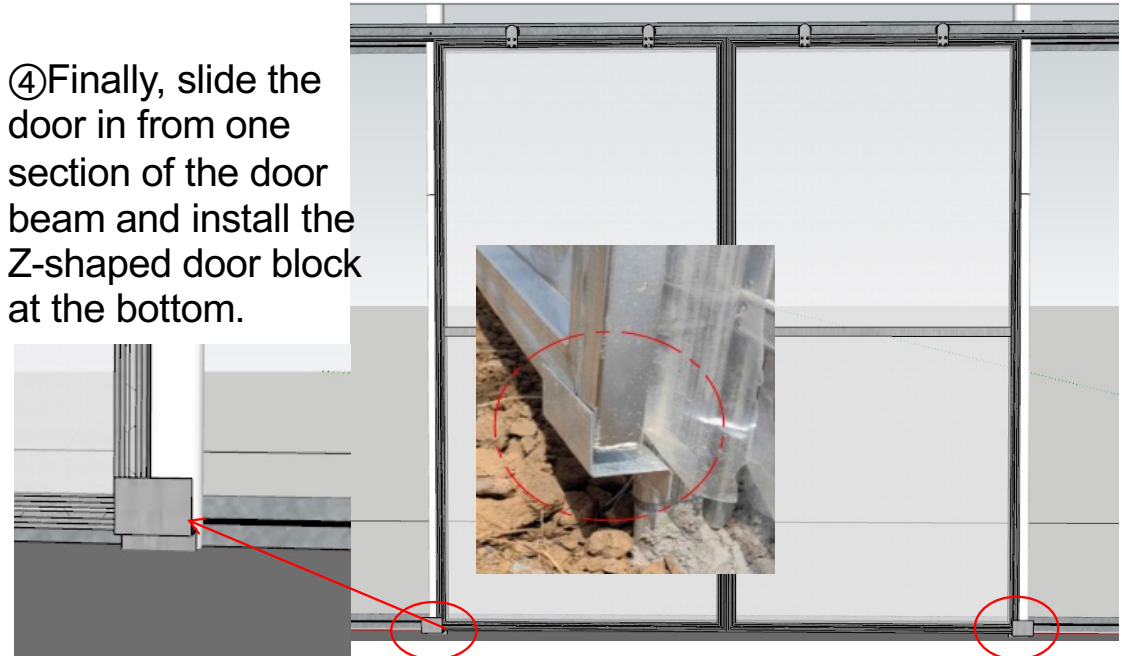
② Next, use snap springs to secure the film into the door's channel.



③ Fix the door pulley on the door



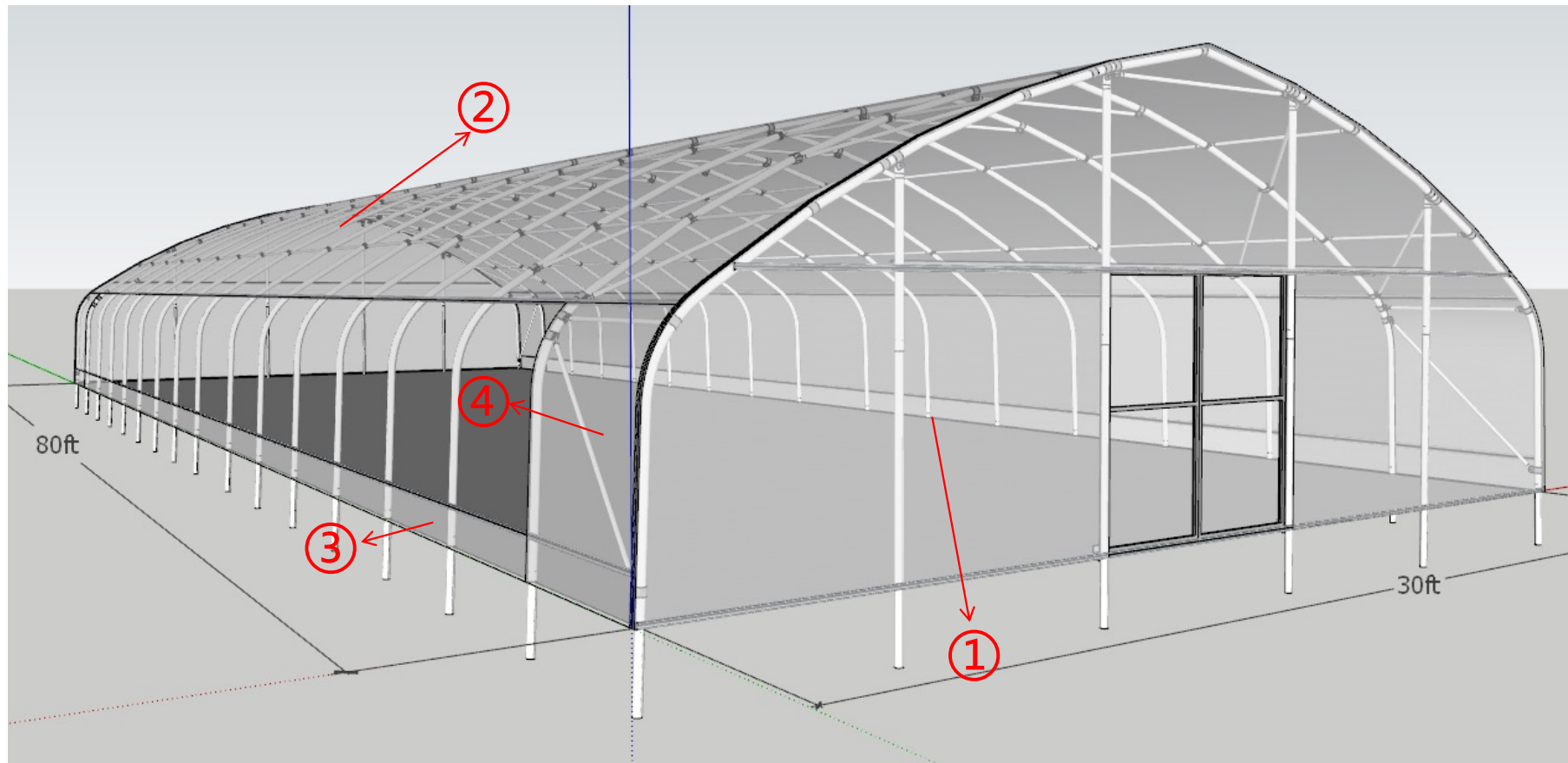
④ Finally, slide the door in from one section of the door beam and install the Z-shaped door block at the bottom.

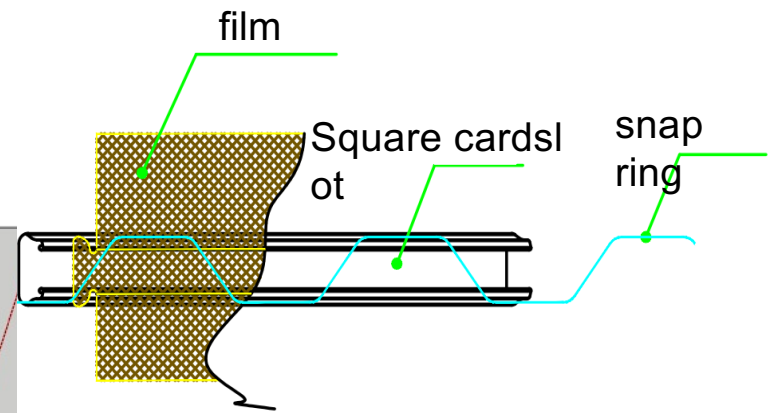
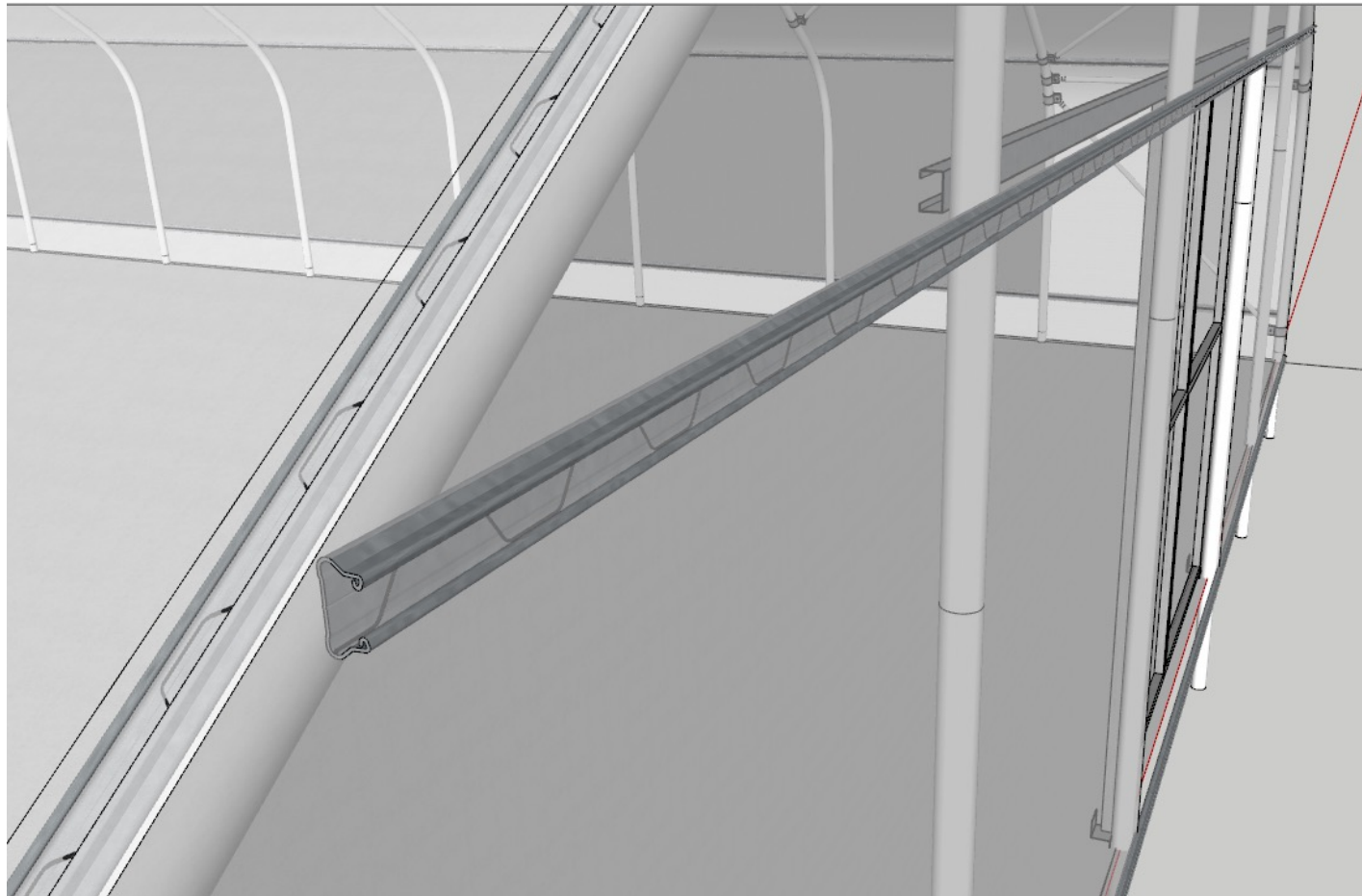


12. Plastic Film Installation

① Install the film by first covering the end face film, then the top film, and finally the side film. (Refer to the next page.)

② When installing the film, a team of 8 people is required. Four people should secure the insect net at the four corners of the greenhouse. The other four people should be divided into two groups, one group on each side along the length of the greenhouse. One person in each group secures the side film with snap springs, while the other person pulls it tight from behind to prevent looseness, wrinkles, or a wavy appearance.





Film Installation Order:

- ① End film: 9.5*4m
- ② Top film: 12*25m
- ③ Bottom sealing film: 0.5*25m
- ④ Side sealing film: 1.5*2m
- ⑤ Door film: 2.5*1.5m (When installing the door, the film can be secured to the door in advance.)

13. Installing the side film roller

First, secure one end of the film to the card slot① and the other end to the rolling tube②, both using snap springs.

Next, connect and secure the rolling tube to the film roller.

Finally, insert the rod 500mm into the ground and place the film roller onto the rod.

