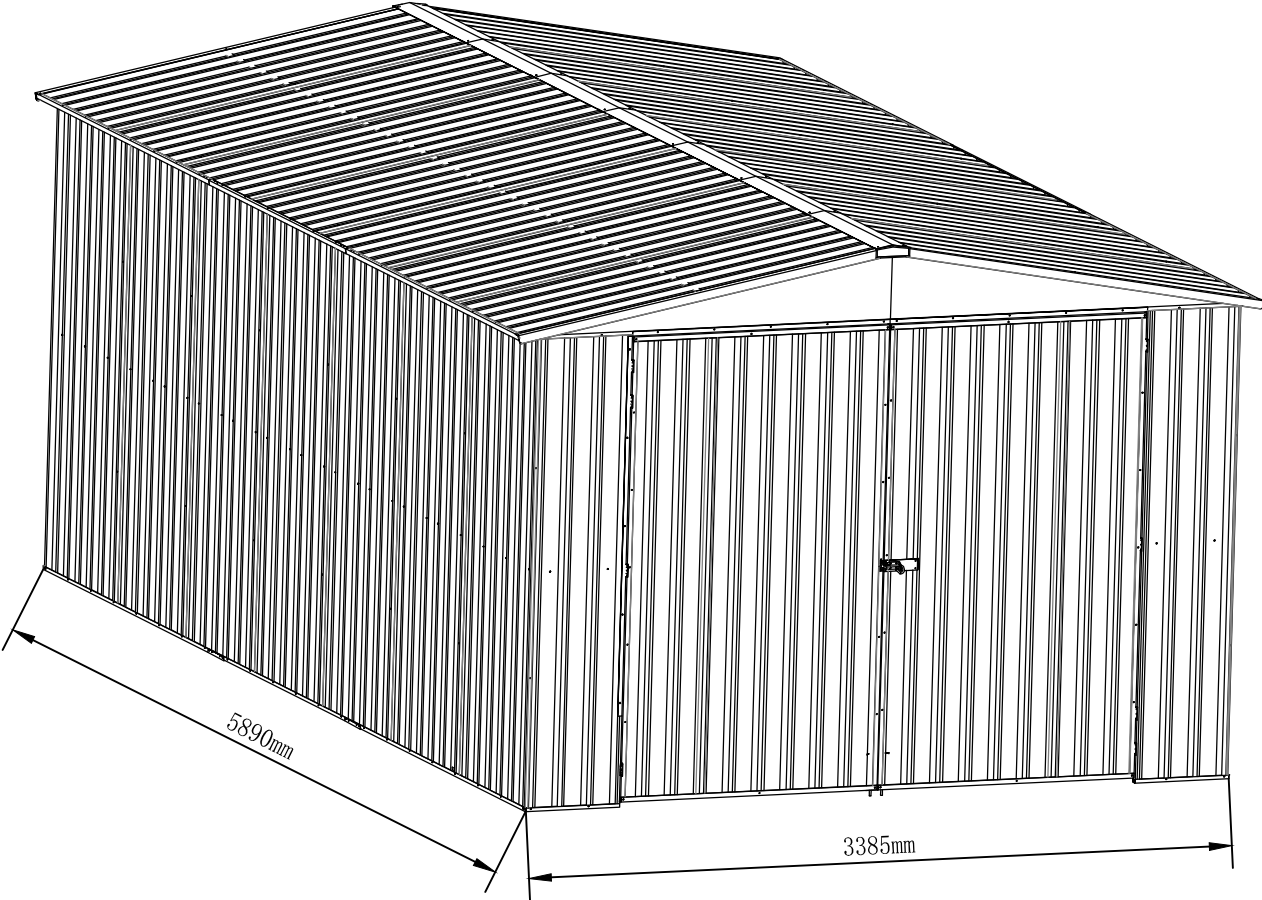


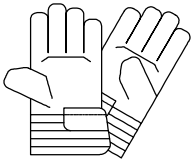





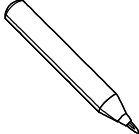
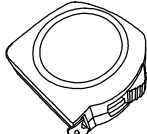
INSTALLATION INSTRUCTIONS

-----G1119-H200



BEFORE YOU START

Items Required:

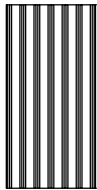
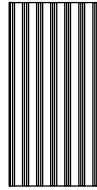
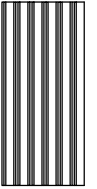

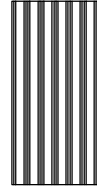

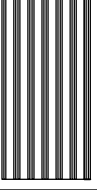
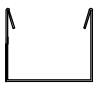

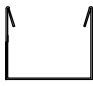











Safety Gear				
	gloves	Safety Glasses	Shoes	Riveting Gun
Tools				
	Power drill	Screw drive	Pencil	Tape Measure

- Clear a working area to allow access on 4 sides. A raised work surface will make assembly easier.
- Please choose a dry and calm day to start assembly. Do not attempt installation in rainy or windy day.
- **Keep roof clear of leaves and snow with long handled, soft-bristled broom. Heavy amounts to snow on roof can damage building, making it unsafe to enter.**
- All parts are identified so when working through the instructions page by page the diagrams show where each part is positioned.
- Before starting, to avoid any accidental injury, we recommend the use of gloves to protect your hands, safety glasses to protect your eyes and shoes or boots to protect your feet.
- Many of the holes have been pre-punched, to allow fixing using self-tapping screws or rivets, where additional holes are required a drill bit is included.
- Please keep children away from your construction site.
- Most assembly can be completed by one person, assistance may be needed when you reach the erection stage.
- Cleaning should be performed as often as is required to remove any dirt, salt, and pollutants.
- Please note: Some local government authorities have rules & regulations on shed installation and you may need approval to erect this shed.












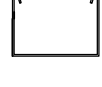
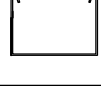









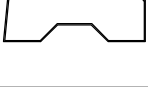
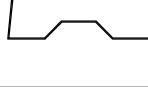
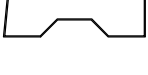
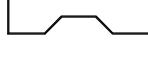
STEPS:

1. Unpack all components from the carton and lay outside your work area and check parts against the part list on the next page.
2. Tip: Parts are identified with letters T=Top, U=Up, M-Middle, B= Bottom use these as a guide for where the parts go.
3. Refer to page "HOW PANELS ARE JOINED", the unique clipping method reduces the number of screws and rivets required and speed up assembly.
4. Work through assembly instructions Page by Page
5. When completed place shed in position and anchor securely to the ground.
6. Clean up all metal pieces, rivets and screws.

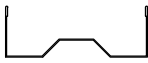
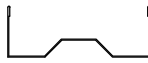
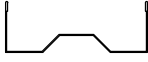
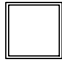
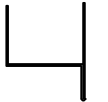
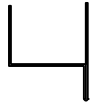
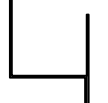



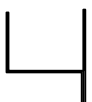
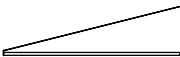
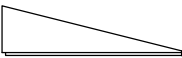


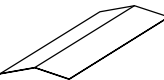
BEFORE YOU START – PART LIST

Picture	Part No.	QTY	Check	Picture	Part No.	QTY	Check
	TPD1	14			MPC2	16	
	MPC7	1			MPCB	2	
	DPC1	1			DPC3	2	
	DPC2	2					
	F9D	4			UF41	1	
	UF42	1			UF1E	1	
	UF2E	1			BF41	1	
	BF42	1			BF1E	1	
	BF2E	1			UF7A	2	
	UF8A	1			UF6E	1	
	BF7A	3			MF41	1	

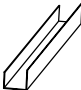
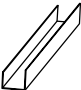





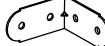
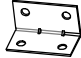

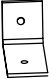
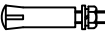

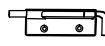
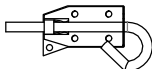
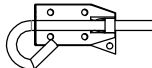















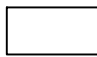
BEFORE YOU START - PART LIST

Picture	Part No.	QTY	Check	Picture	Part No.	QTY	Check
	MF42	1			MF7R	2	
	MF7V	2			MF7S	1	
	MF7U	2			MF7T	2	
	MF7W	1			MF1E	1	
	MF2E	1			BFT1	1	
	DF1	2			DFC2	1	
	DF10	4			DFC3	1	
	DFC5	2			DFC6	2	
	DFU1	1			DFU2	2	
	DFU3	2			DFU4	4	
	UF9D	4			BF6E	1	
	BB1	4			BB2	4	
	BB7	8			BA2	8	

BEFORE YOU START – PART LIST

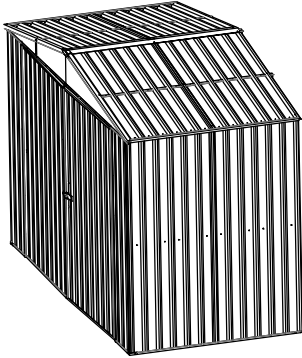
Picture	Part No.	QTY	Check	Picture	Part No.	QTY	Check
	BSD	8			BS3	4	
	BS1	8			MS3	5	
	DTC4	1			MTC1	1	
	MTC2	1			MTC3	2	
	T11	1			T12	1	
	T1	1			GL4	2	
	GR4	2			TL4	4	
	TLB1	6			TR4	7	

BEFORE YOU START – PART LIST

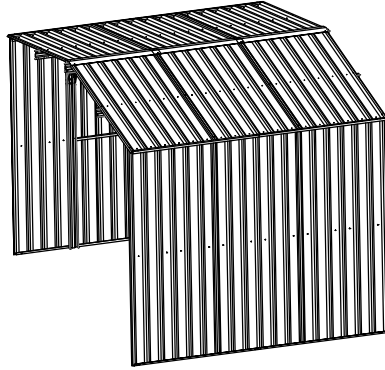
Picture	Part No.	QTY	Check	Picture	Part No.	QTY	Check
	J1	14			J2	1	
	LG4	2			UF1	4	
	UF6	2			UF7	2	
	C1	8			C2	19	
	C3	8			C7	14	
	C8	8			S11	22	
	H1	2			H2	1	
	H5	1			H6	1	
	S1	56			S3	699	
	S5	224			S8	68	
	S10	192			C6	40	
	L1	3			L1A	18	
	L3	120			SH1	8	
	S16	60			MSA	8	
	UV3	1			C12	12	
	S1	4			Rust zinc block	4	

BEFORE YOU START

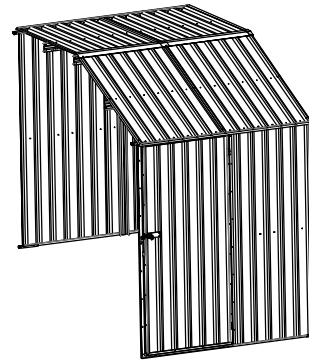
In 3/3 Box



In 2/3 Box

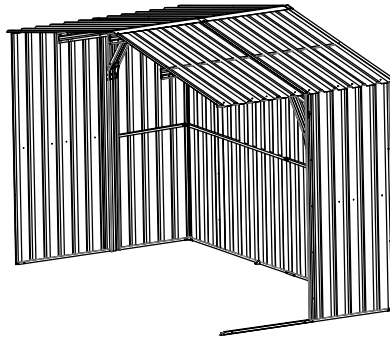


In 1/3 Box



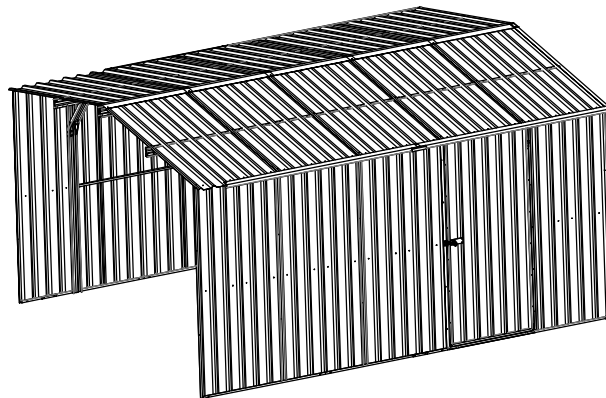
STEP 1

Install the back part.



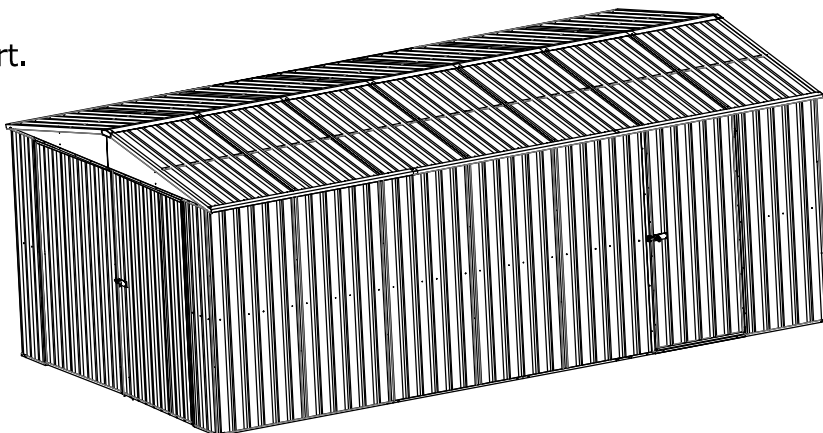
STEP 2

Install the middle part.



STEP 3

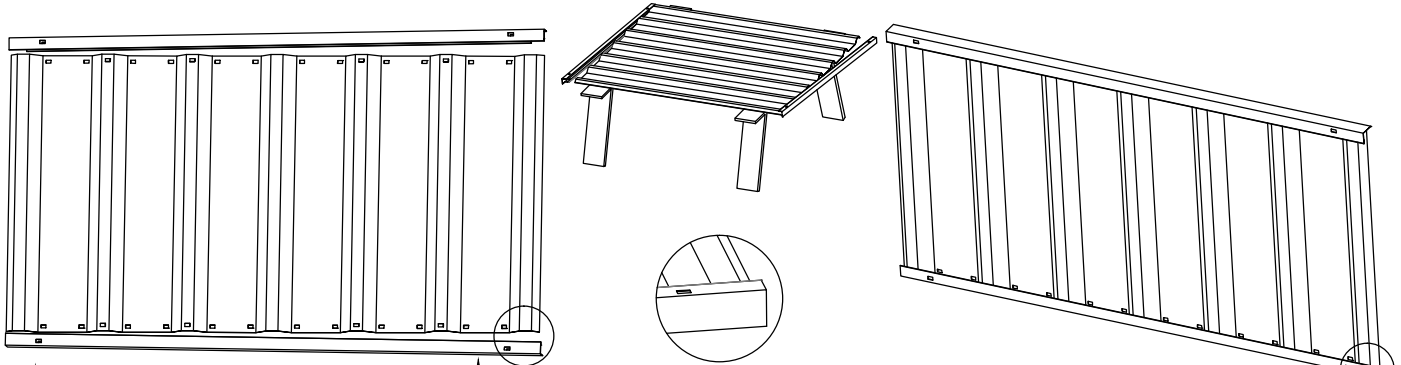
Install the front part.



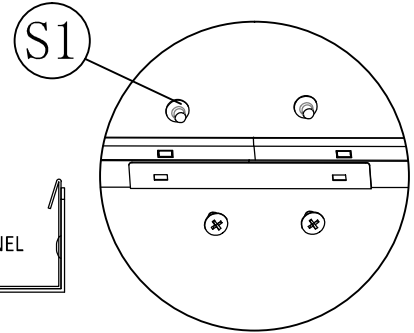
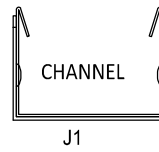
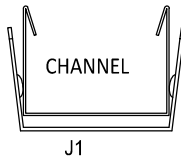
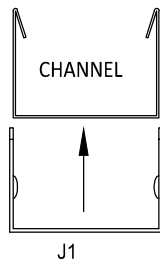
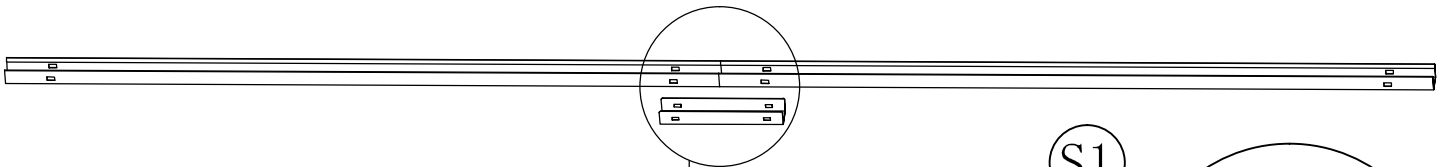
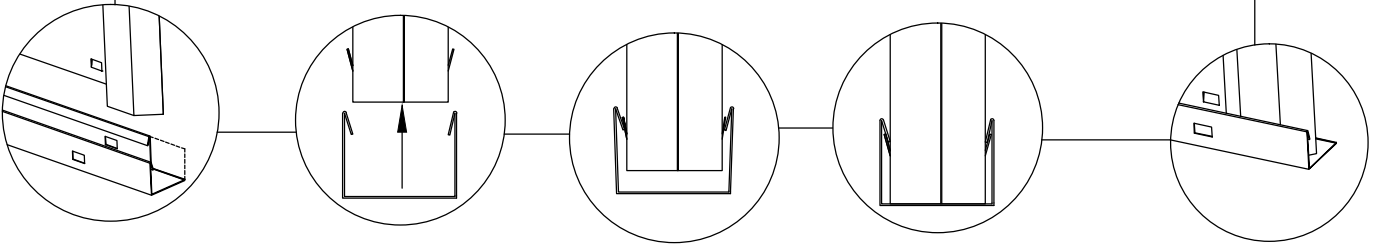
BEFORE YOU START — HOW PANELS ARE JOINED

PUSH Position U channel over one end of the joined sheets, working from one end push channel down to clip onto sheets, continue to the end of the channel pushing as you go.

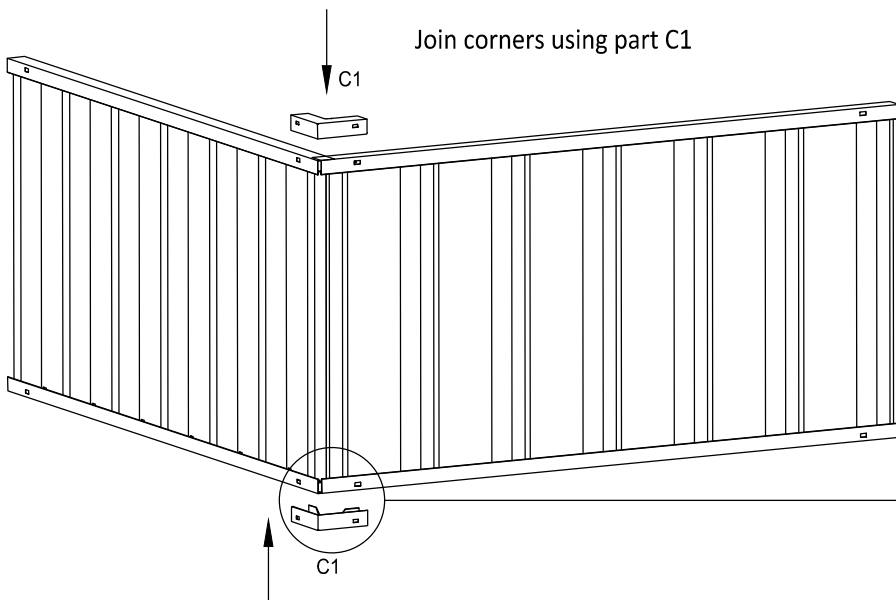
A raised platform will make assembly easier



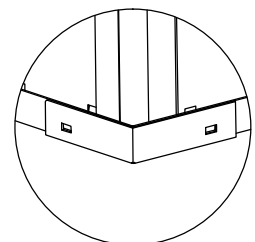
If you need to remove U channels from the panels, pull the channel along the panel from opposing ends. You may need someone to help with this.



Join corners using part C1

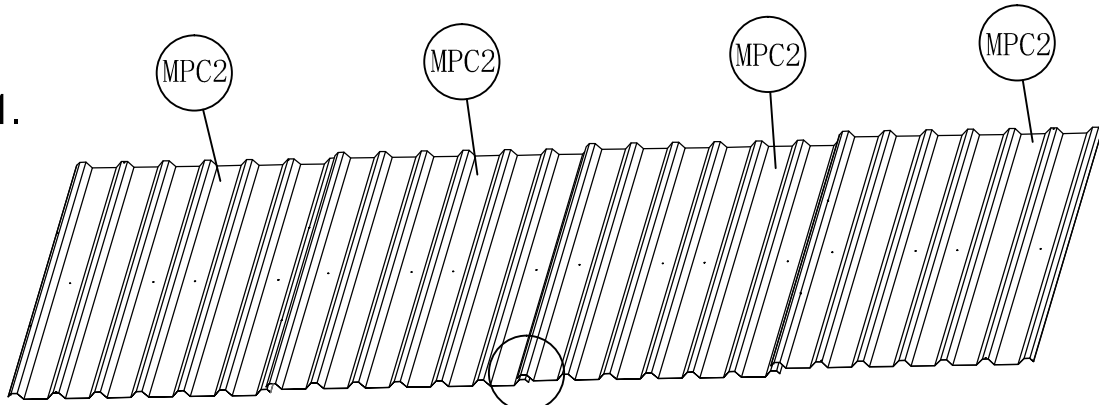


In order to ensure structure firmer, you can choose to install more four screws S1 on J1.

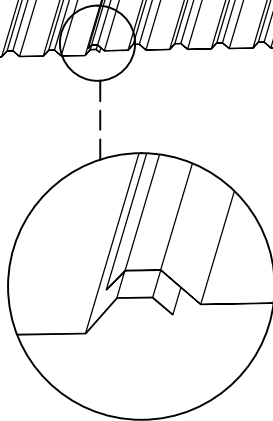


BACK WALL ASSEMBLY

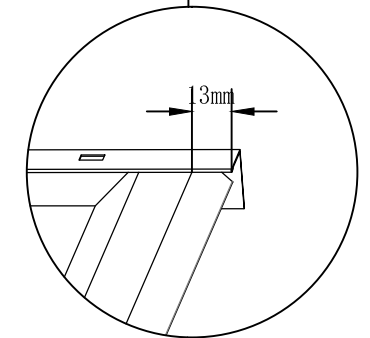
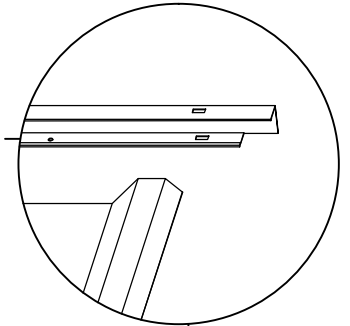
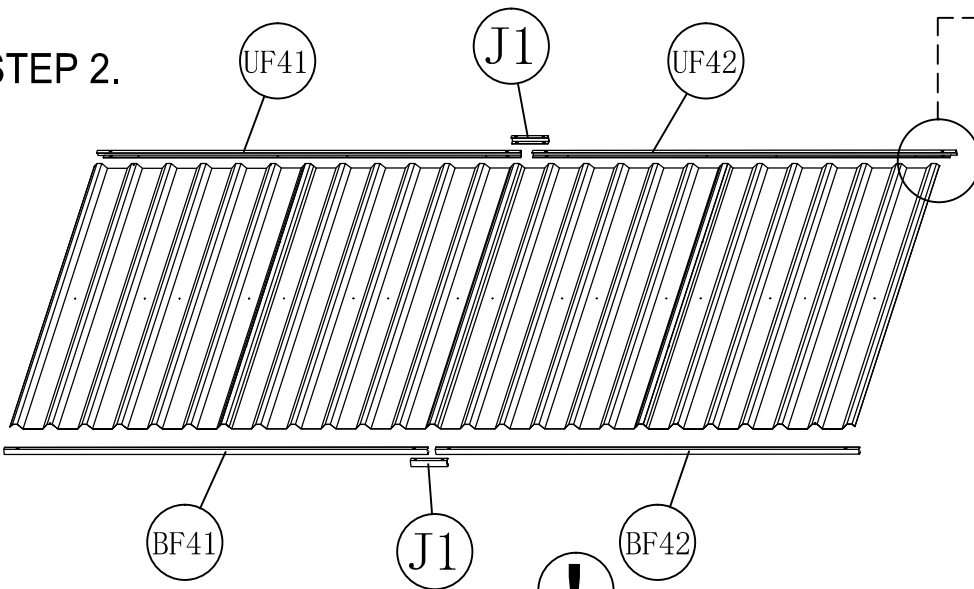
STEP 1.



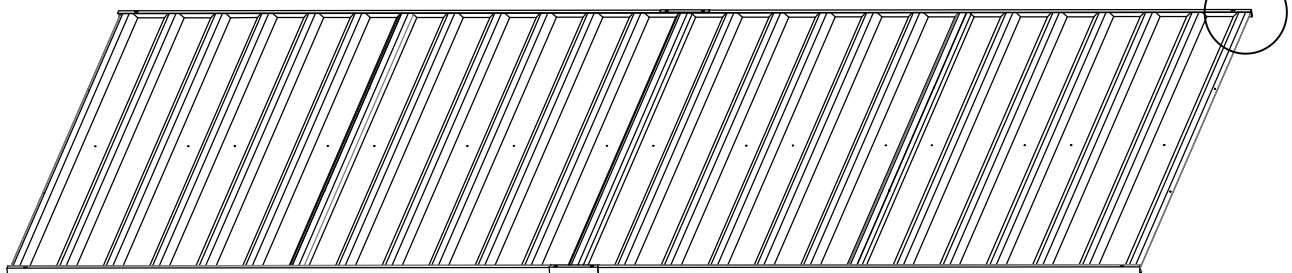
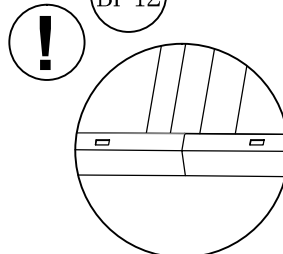
	MPC2	4		UF41	1
	BF41	1		UF42	1
	J1	2		BF42	1



STEP 2.



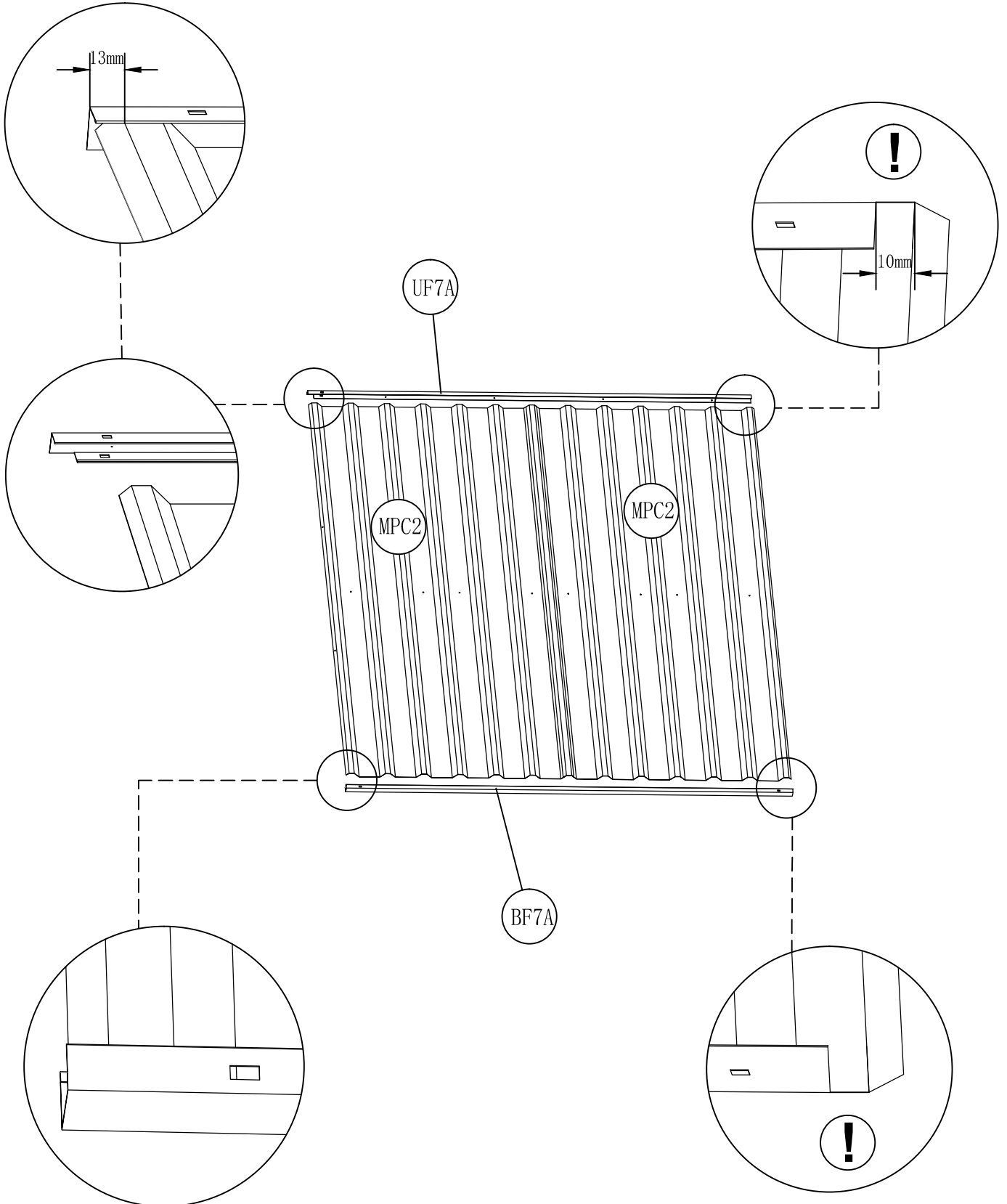
Make sure the joint of the two U channels are aligned with the center line where the corresponding two wall panels overlap.



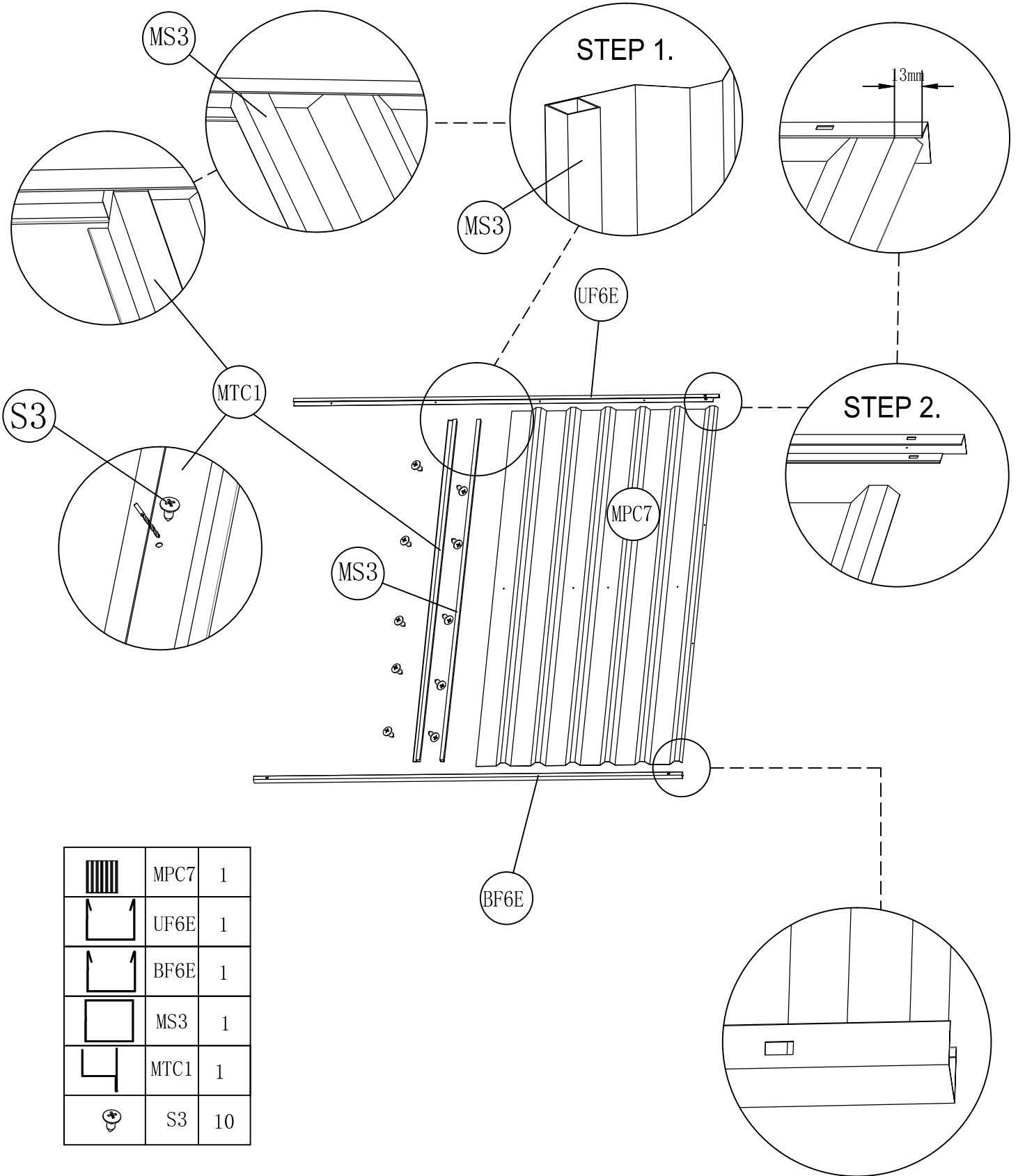
WALL ASSEMBLY

LEFT WALL ASSEMBLY

	MPC2	2		UF7A	1		BF7A	1
---	------	---	--	------	---	---	------	---

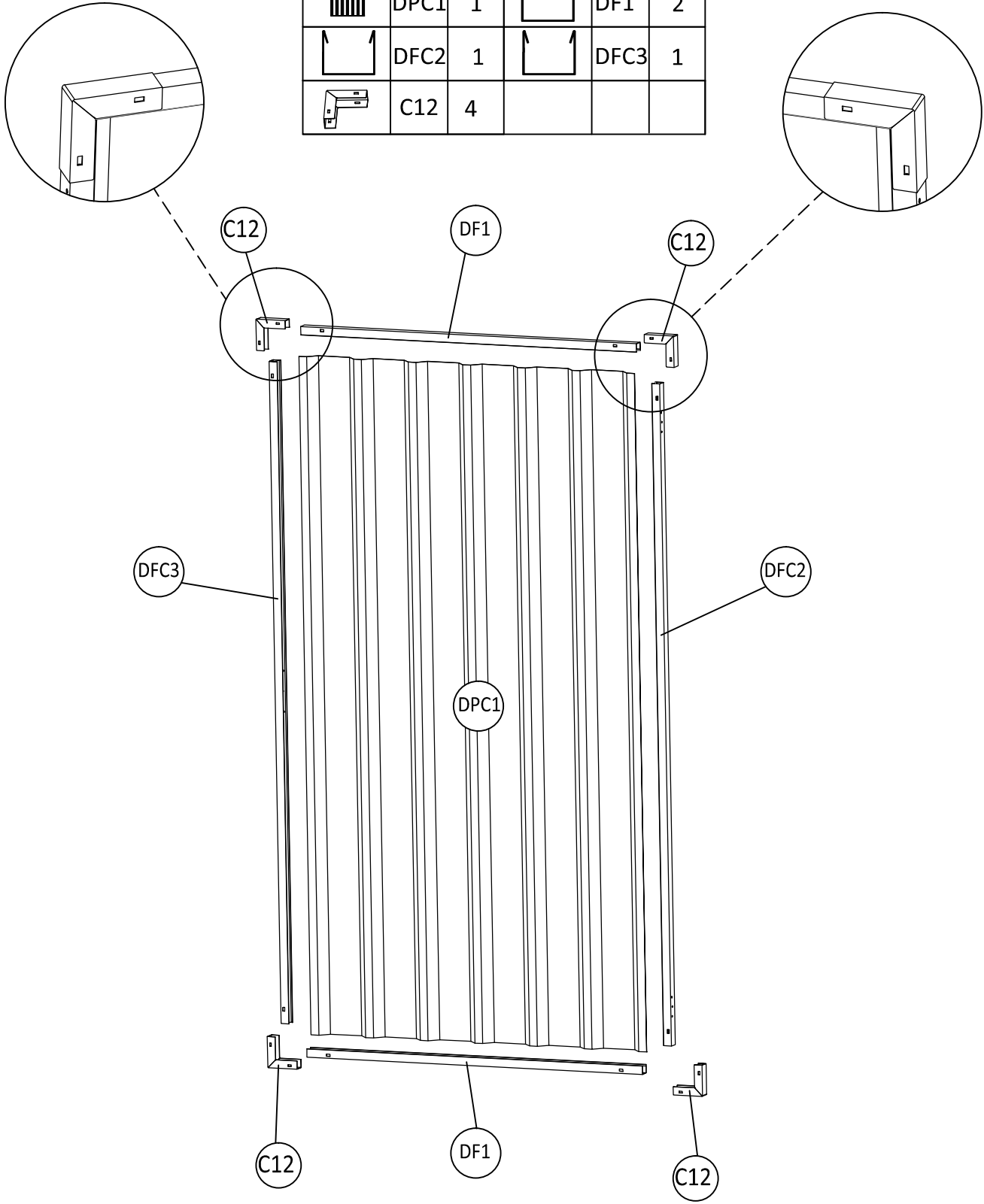


RIGHT WALL ASSEMBLY



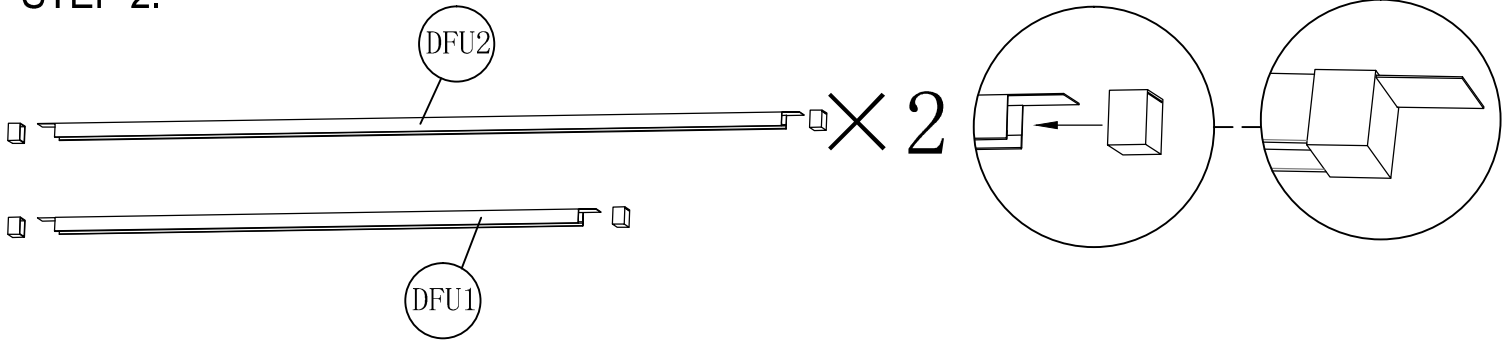
Front Door Assembly

	DPC1	1		DF1	2
	DFC2	1		DFC3	1
	C12	4			

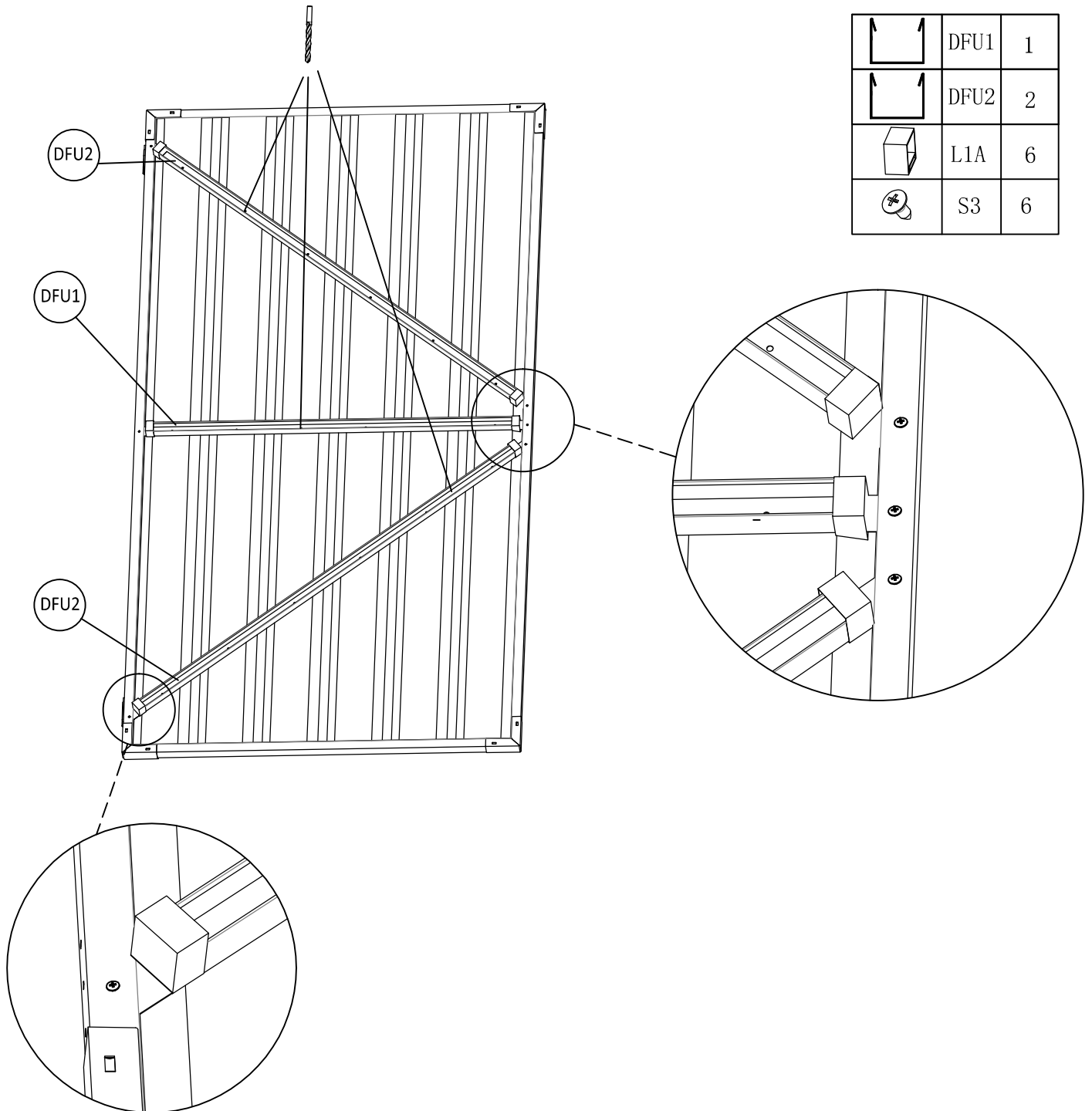


DOOR ASSEMBLY

STEP 2.

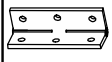






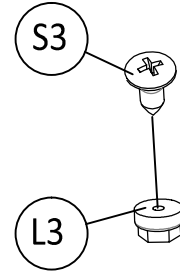
STEP 3. DOOR BACK



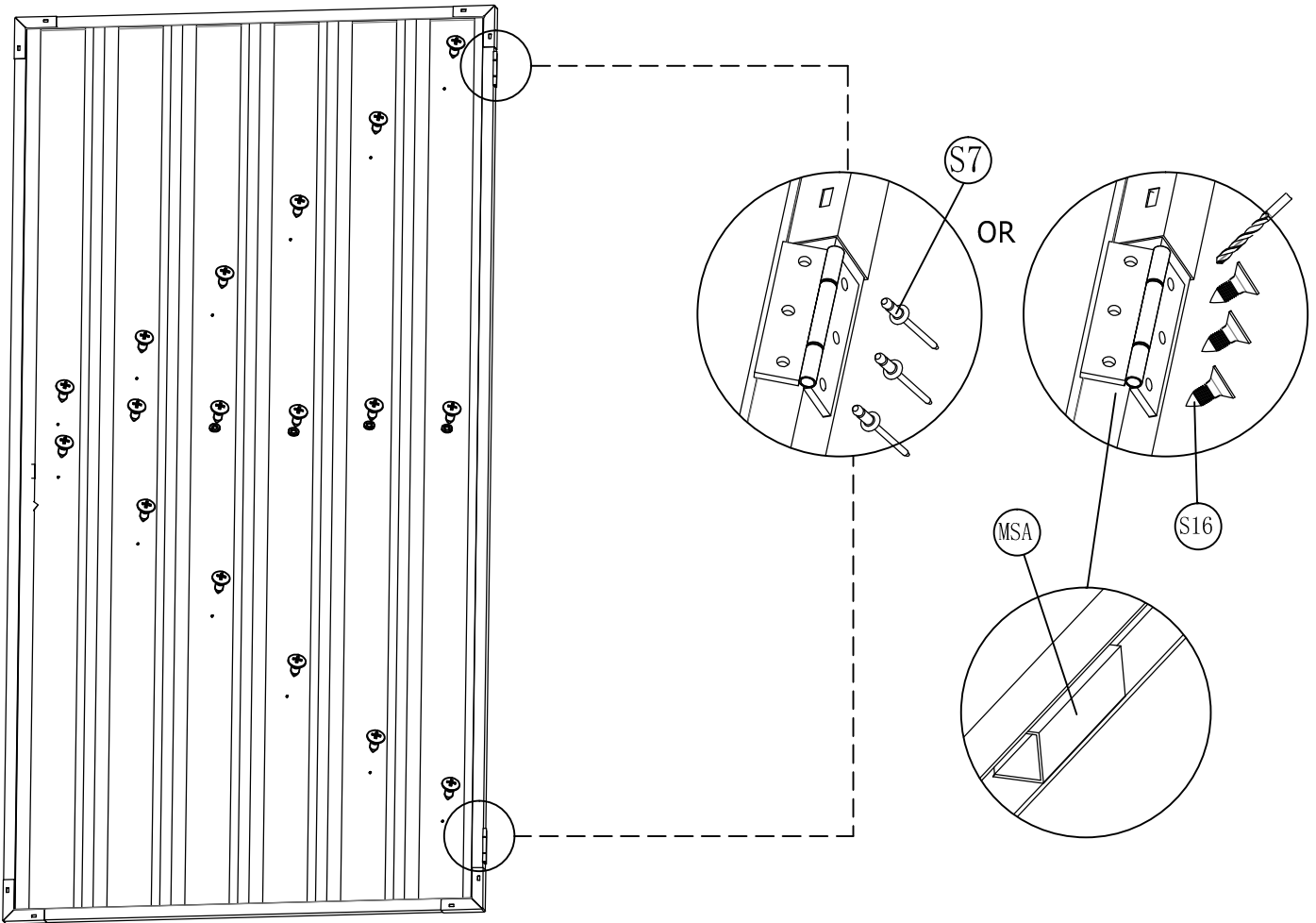
DOOR ASSEMBLY

STEP 4.

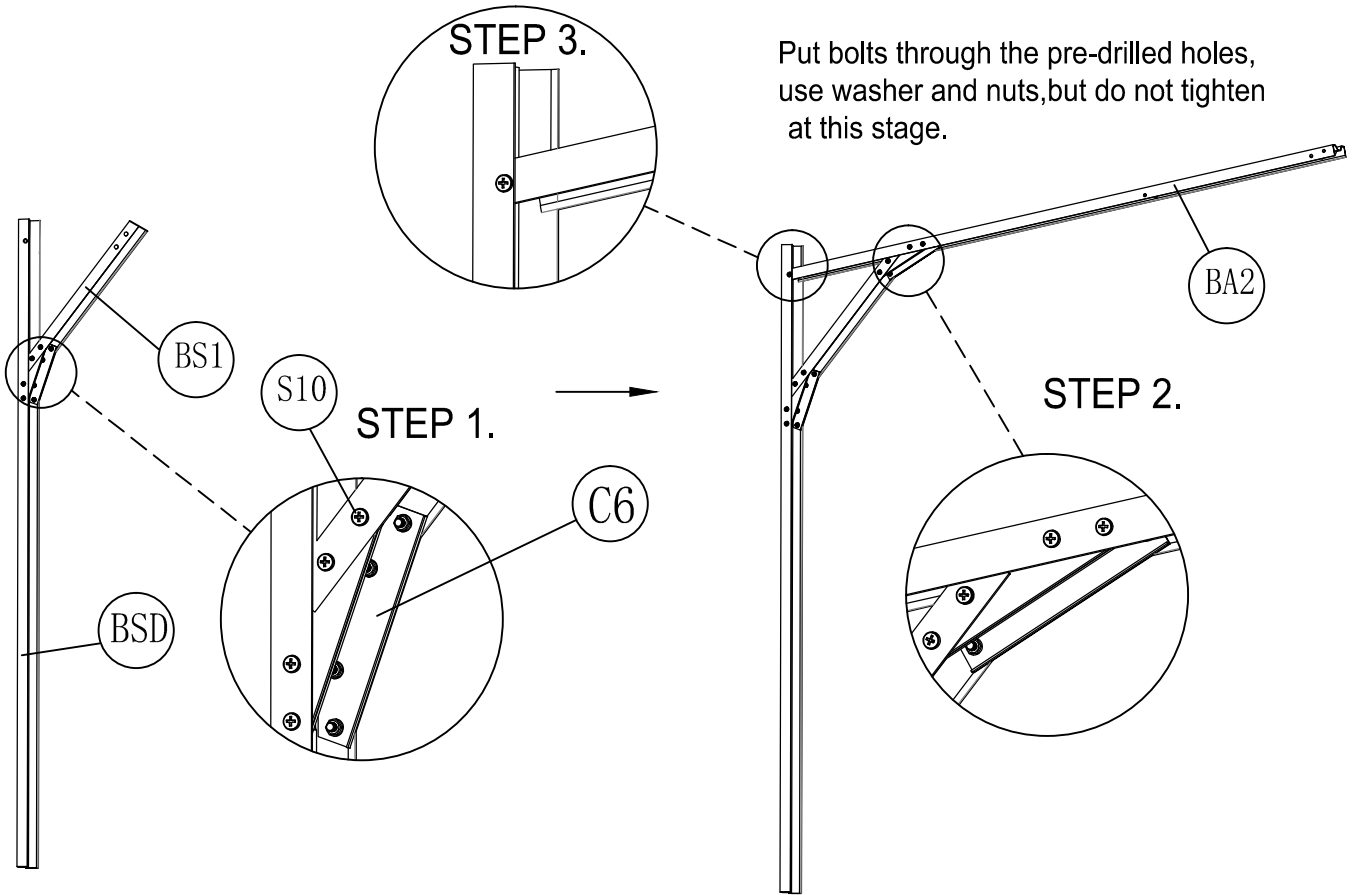
	SH1	2		S3	18
	S16	6		L3	18
	MSA	2			



Cap all S3 tips with L3.

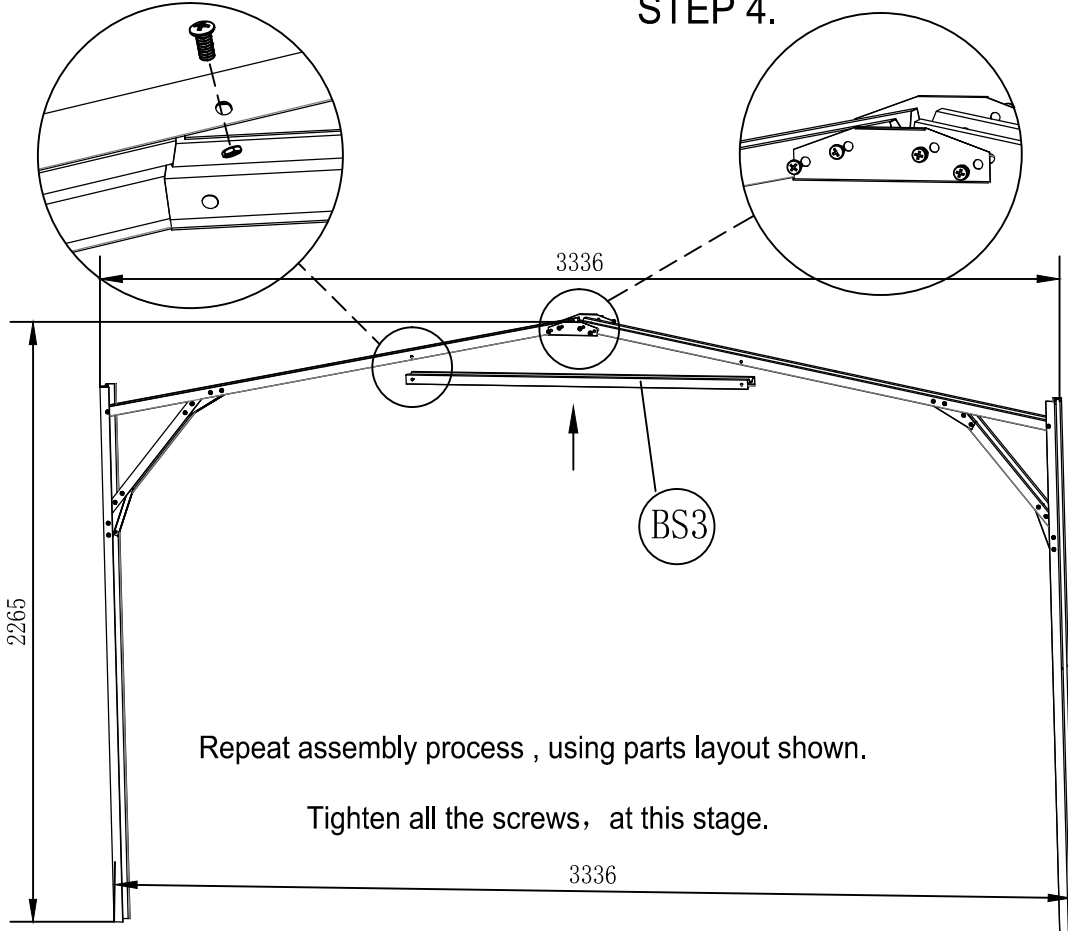


SUPPORT ASSEMBLY



STEP 5. Repeat assembly process of left side for right side, using parts layout shown.

STEP 4.



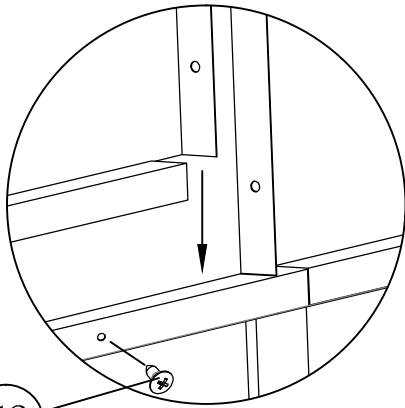
	BSD	2
	BS1	2
	BA2	2
	BS3	1
	S10	48
	C6	10

PANEL CONSTRUCTION

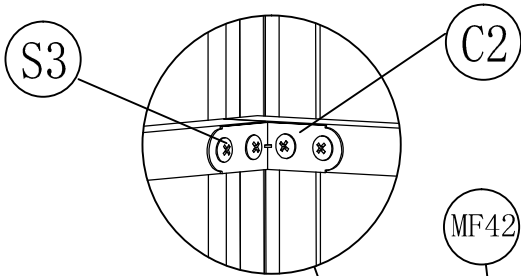


Ensure the correct location of up and down, when you install wallboard

	GL4	1		GR4	1
	MF41	1		MF42	1
	MF7V	1		MF7R	1
	C2	2		J2	1
	C1	4		S3	40
	L3	4			

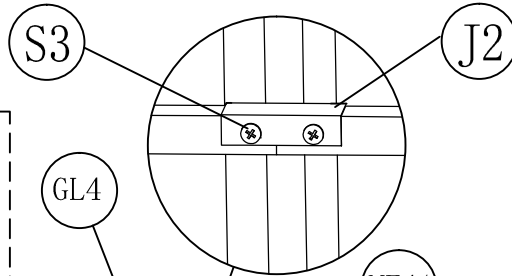


S3



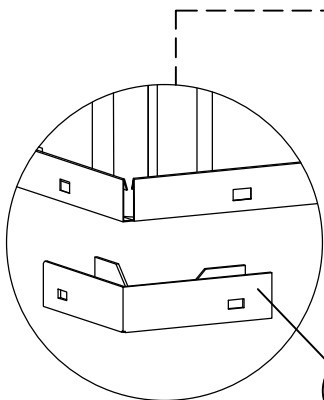
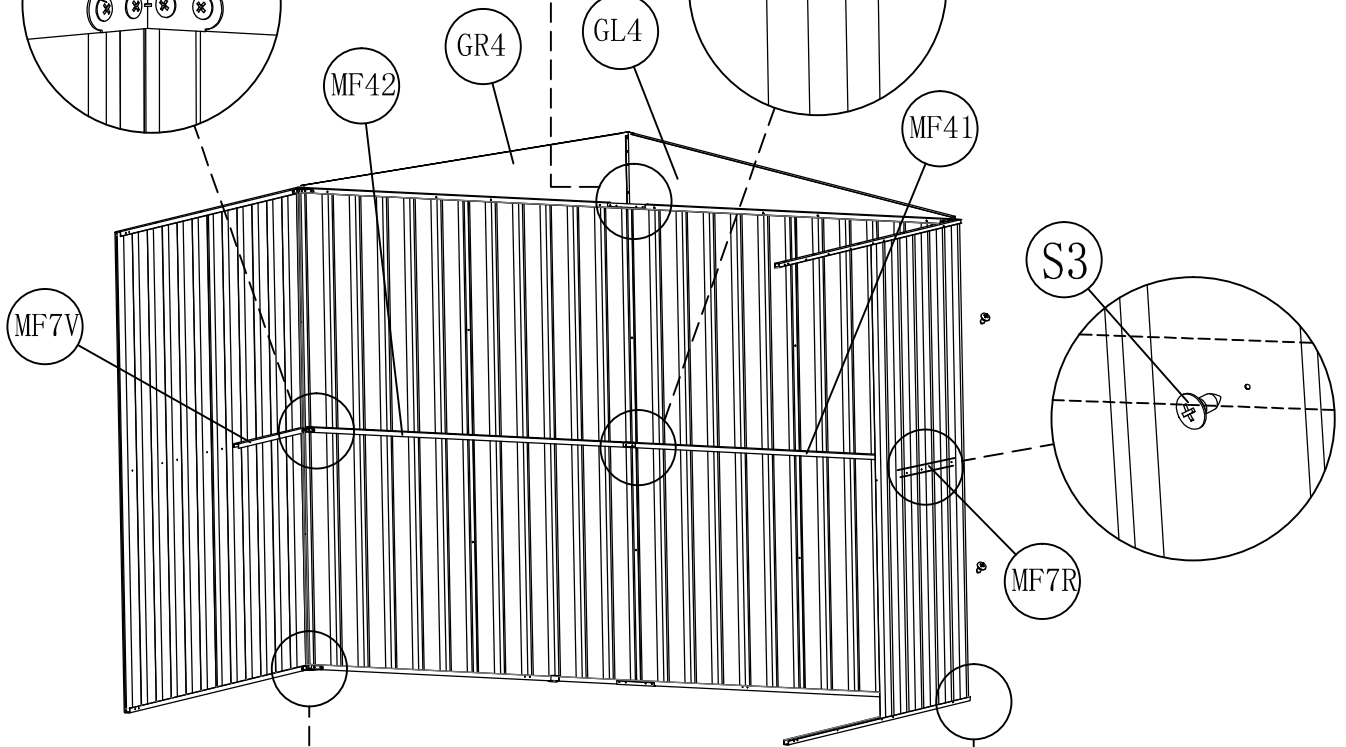
S3

C2

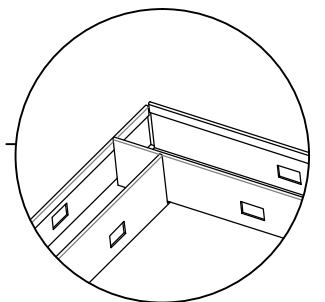
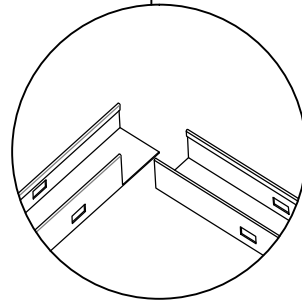
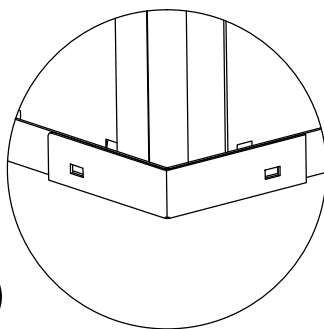


S3

J2

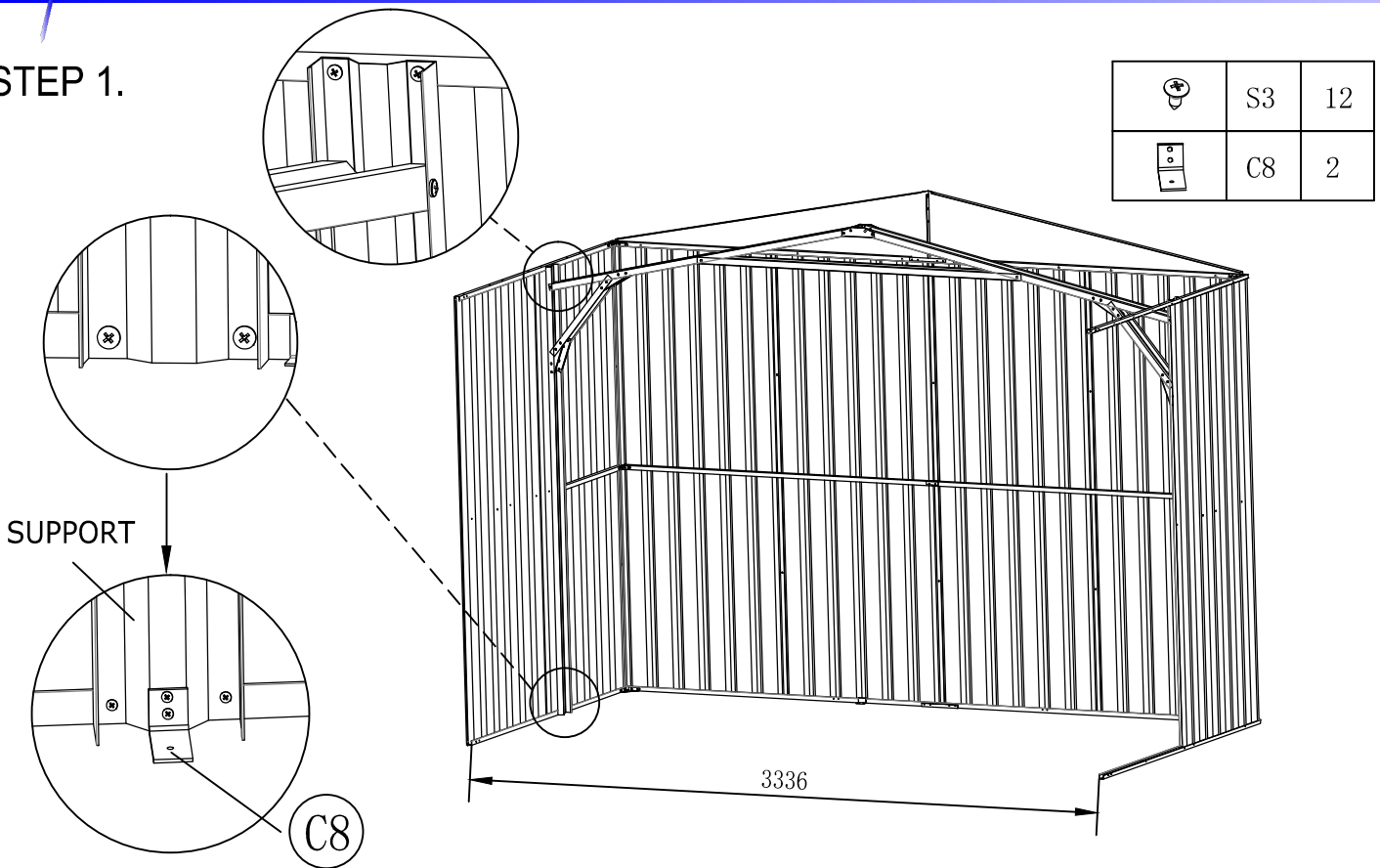


C1

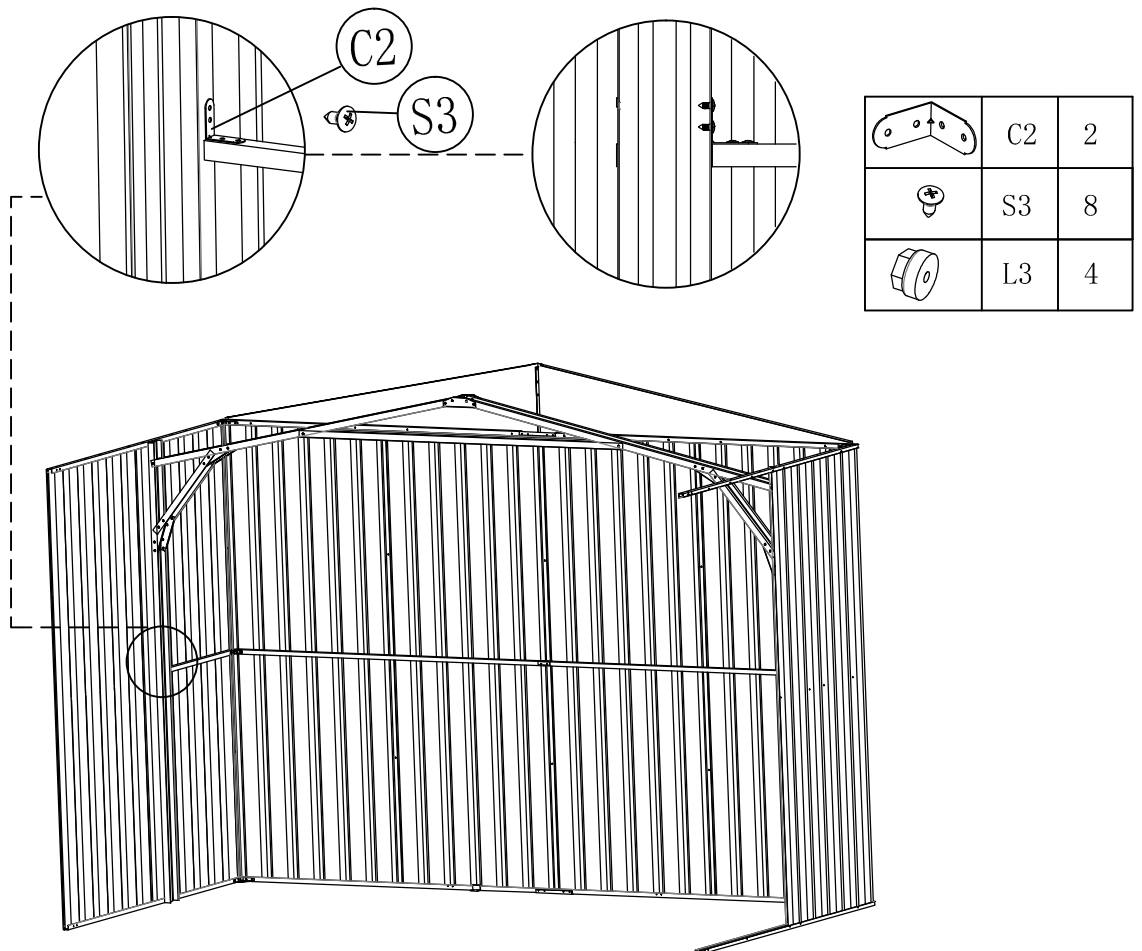


SUPPORT CONSTRUCTION

STEP 1.



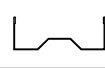
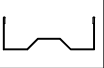
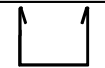



STEP 2.

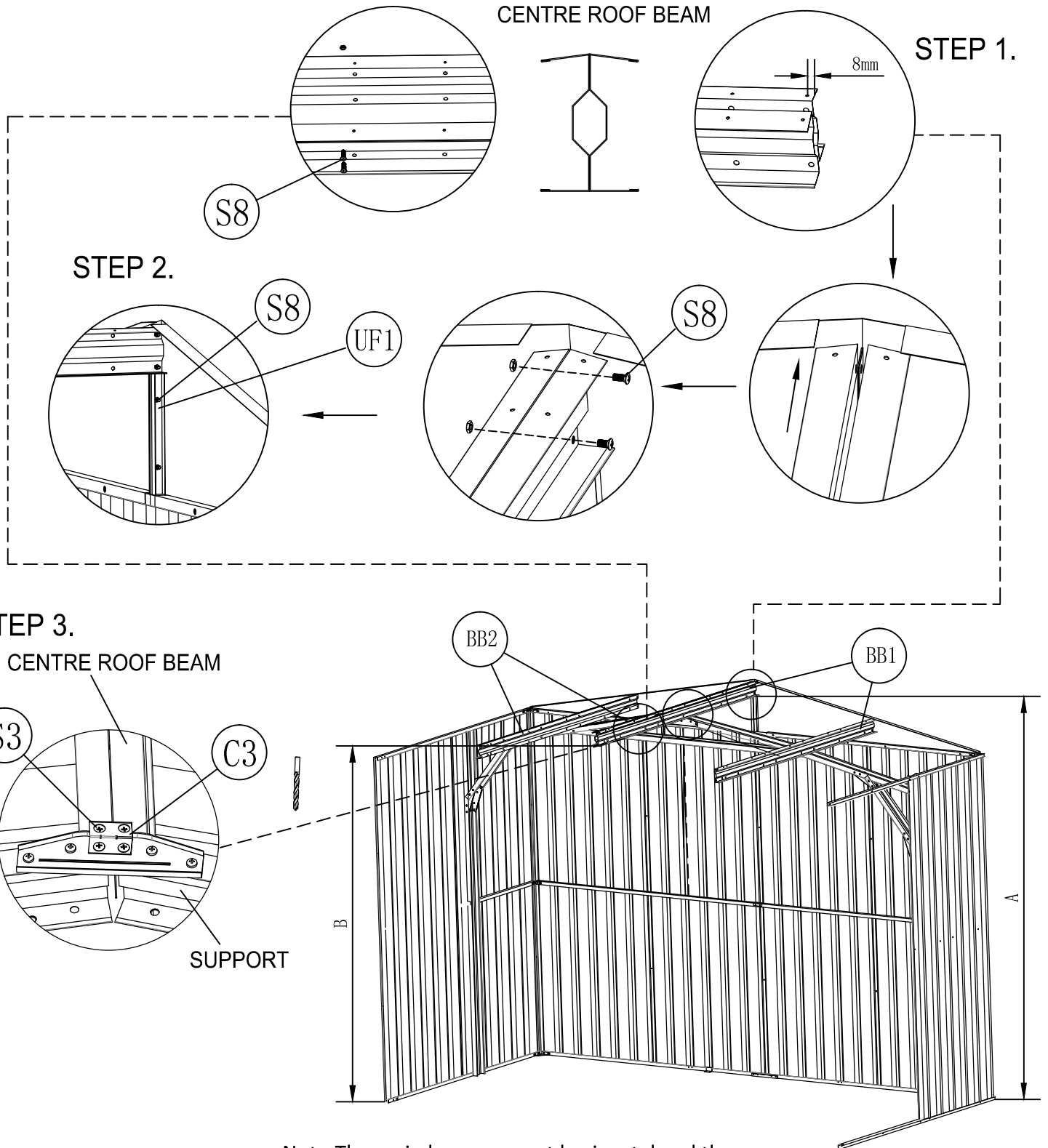


BEAM CONSTRUCTION

Beam Assembly Process:

1. Fix centre roof beam.
2. Put secondary beam on the roof, do not fix at this stage
3. Fix one left and one right roof panel on the roof, so the position of secondary beam can be confirmed by overlapping the holes on roof panel and secondary beam, then fix secondary beam.

	BB1	2		BB2	2
	UF1	2		S8	8
	C3	2		S3	8






Note: The main beam are not horizontal and the position B is higher than position A.

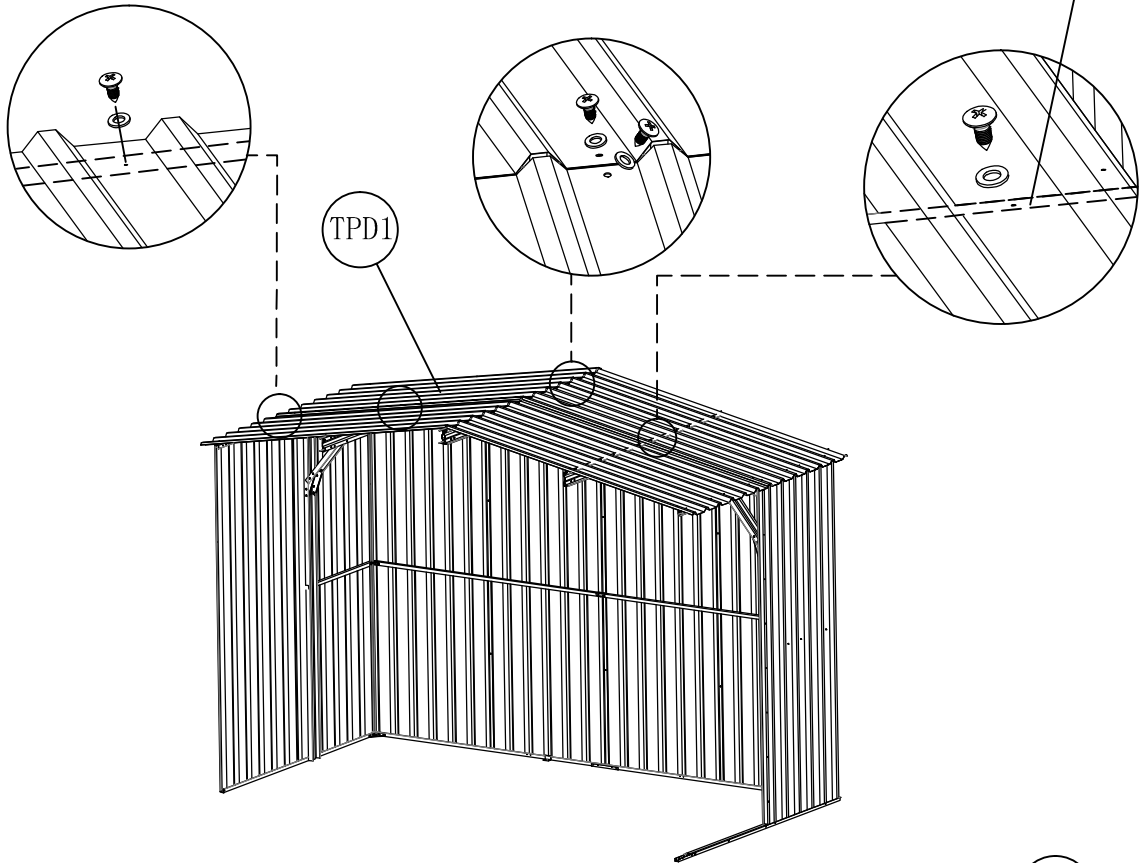
ROOF CONSTRUCTION

TIPS: YOU CAN CHOOSE TO INSTALL ROOF PANEL AT THE END.





LEFT & RIGHT ROOF BEAM

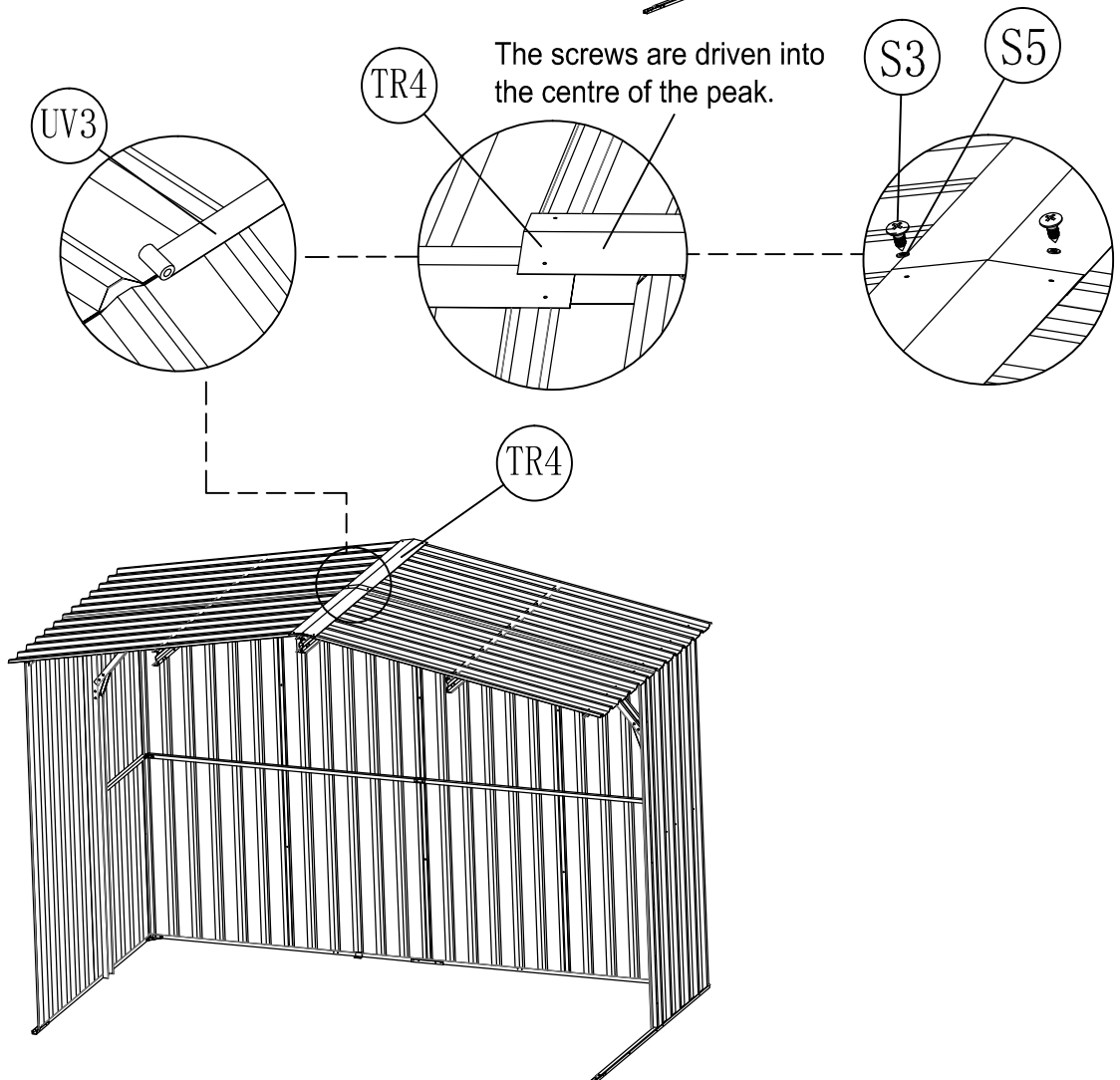
STEP 1.

	TPD1	4
	S3	52
	S5	52





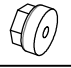


STEP 2.

	TR4	2
	S3	2
	S5	2
	UV3	

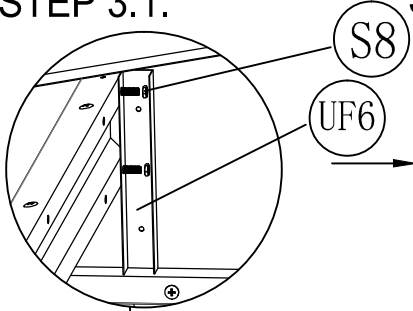


ROOF CONSTRUCTION

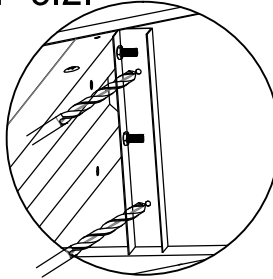
STEP 3.

	UF6	1		UF7	1		L3	4
	S3	4		S5	4		S8	4

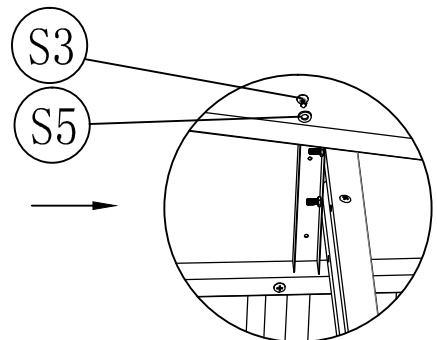
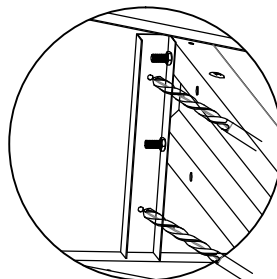
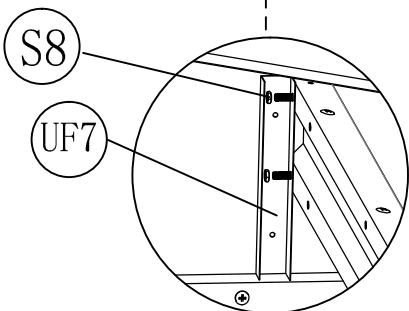
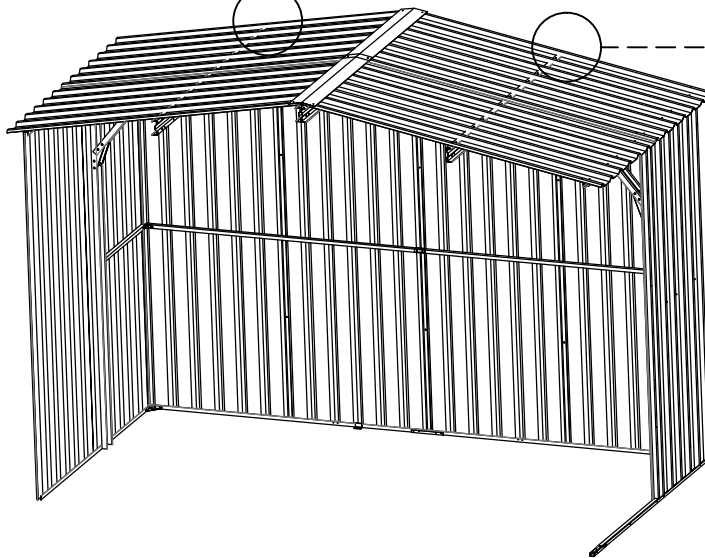
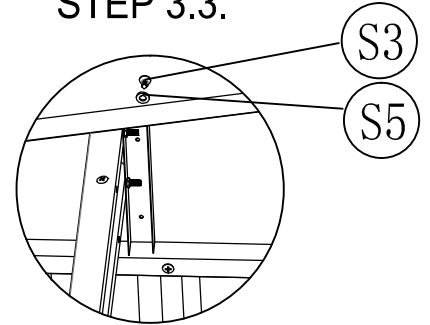
STEP 3.1.



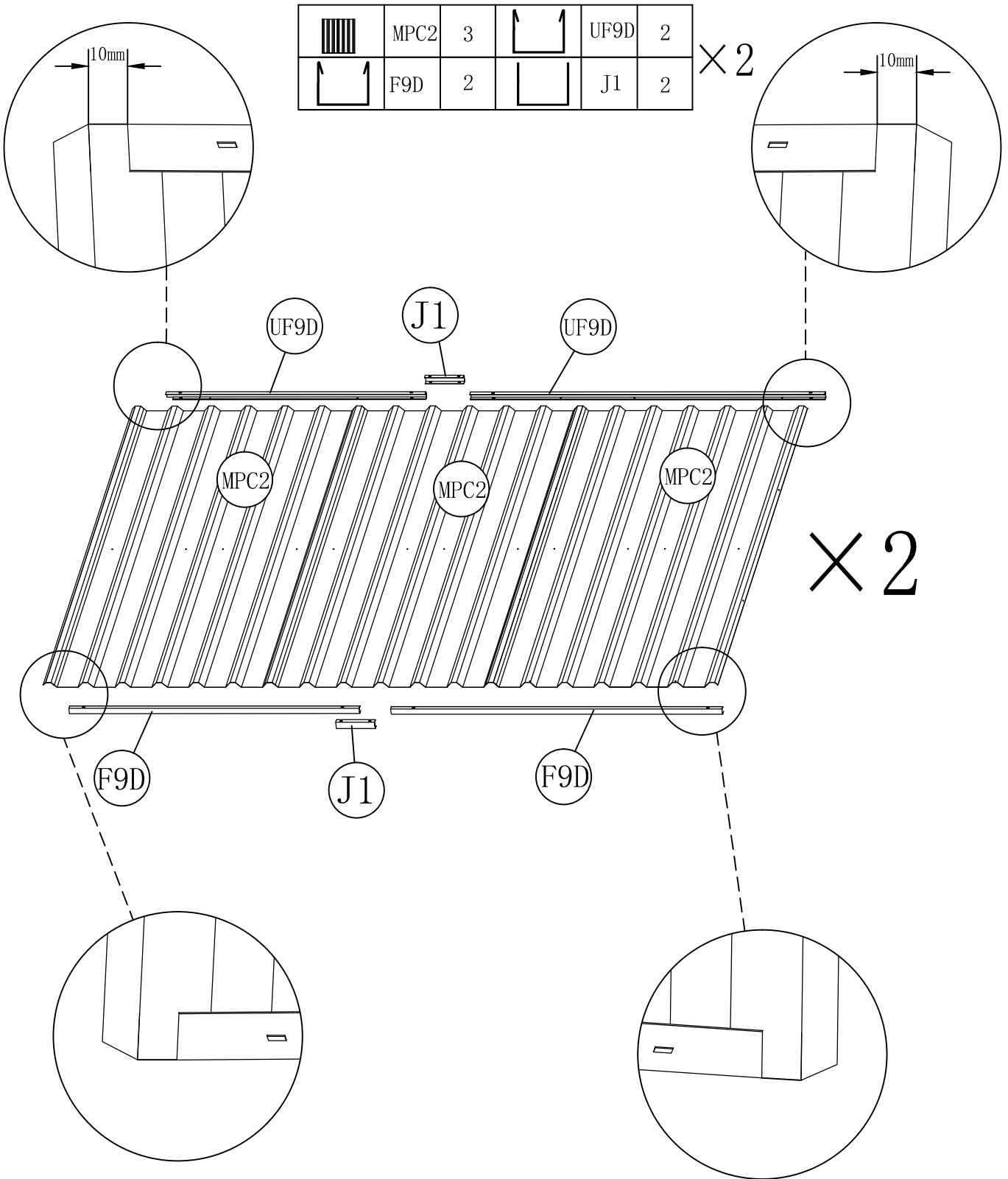
STEP 3.2.



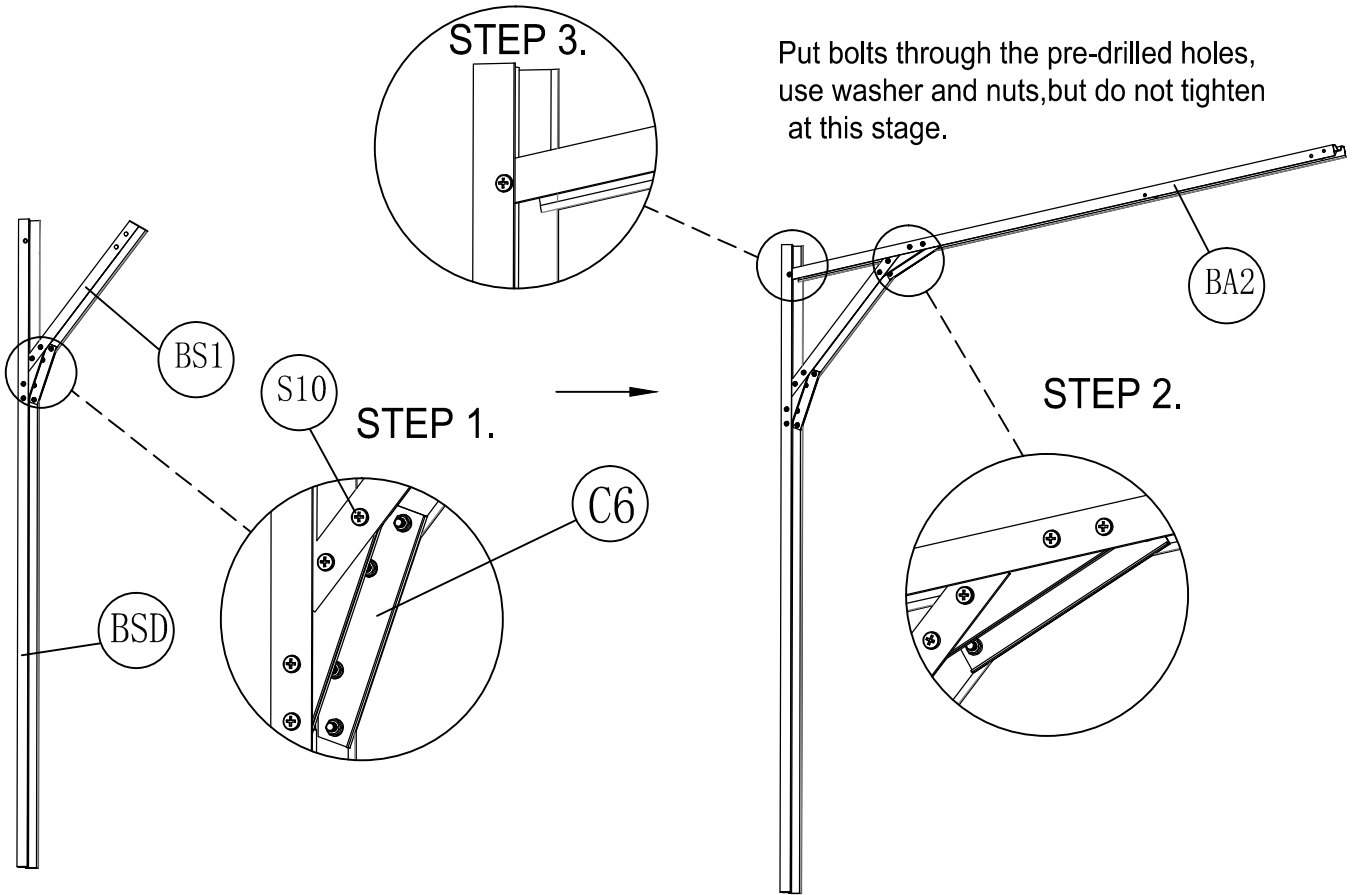
STEP 3.3.



LEFT AND RIGHT WALL ASSEMBLY

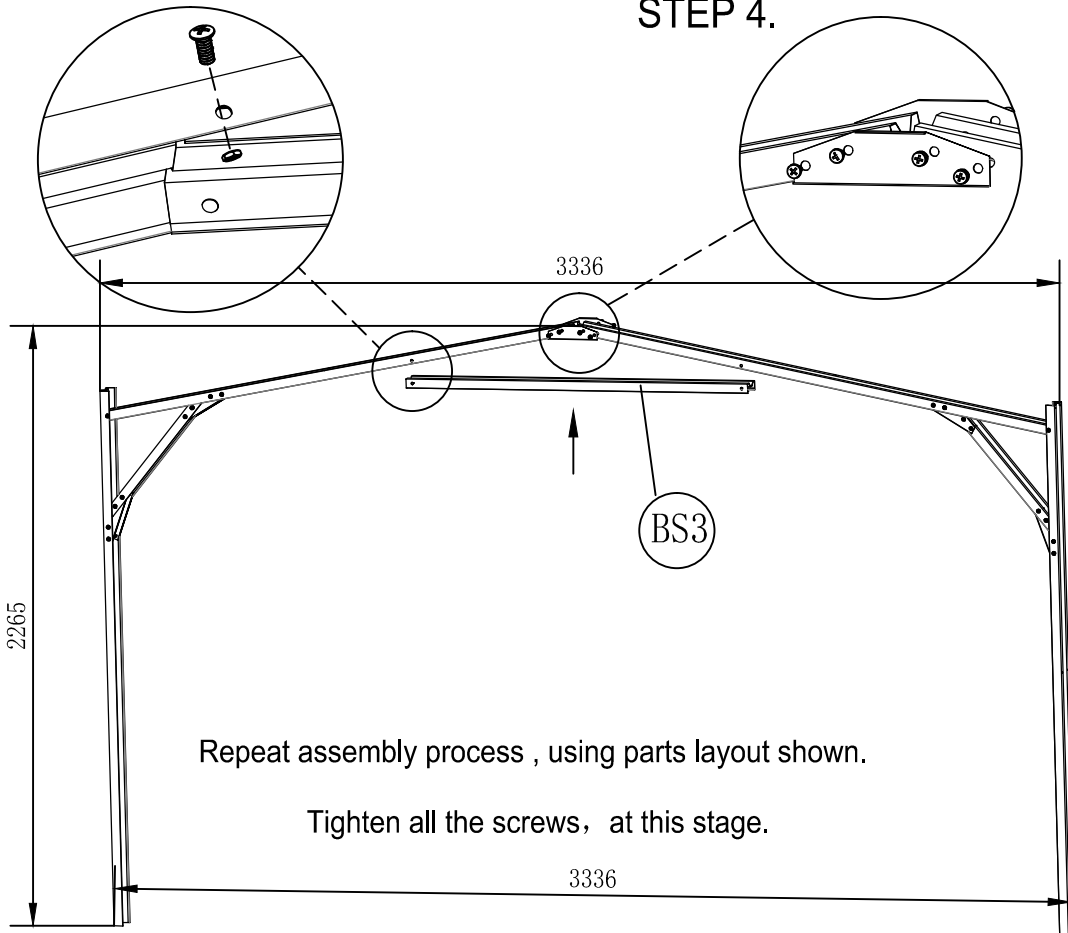


SUPPORT ASSEMBLY



STEP 5. Repeat assembly process of left side for right side, using parts layout shown.

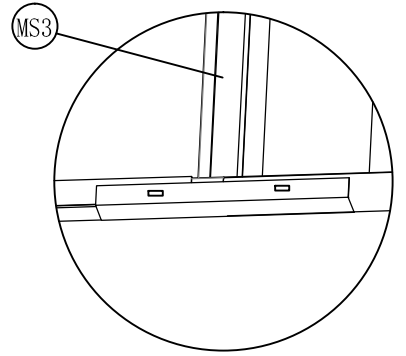
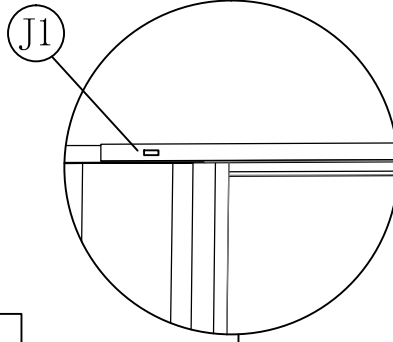
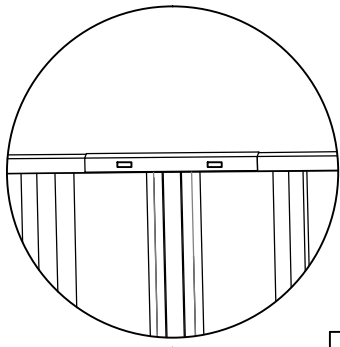
STEP 4.



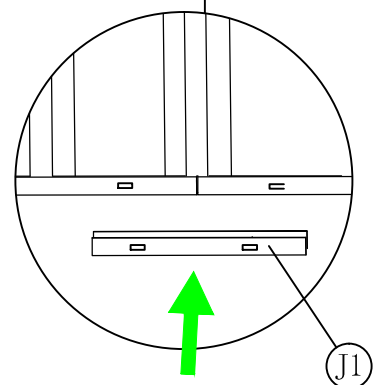
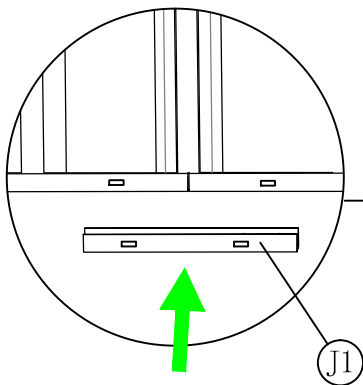
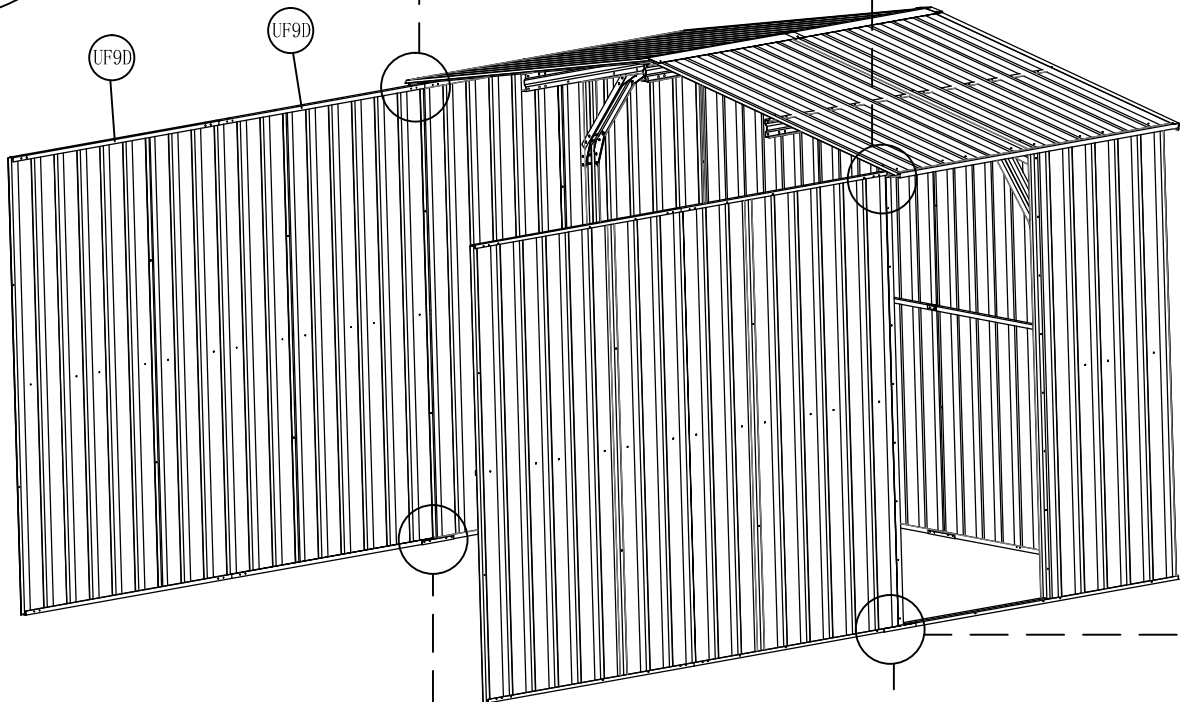
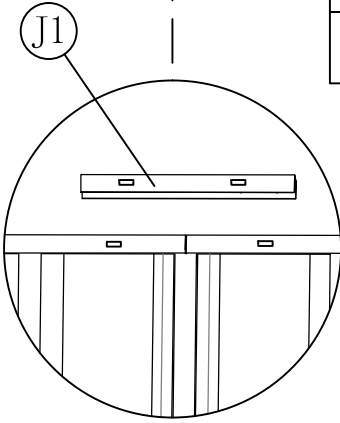
	BSD	2
	BS1	2
	BA2	2
	BS3	1
	S10	48
	C6	10

X 2

SHED ASSEMBLY

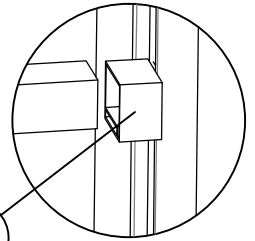
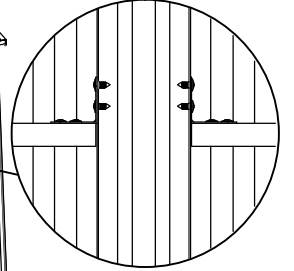
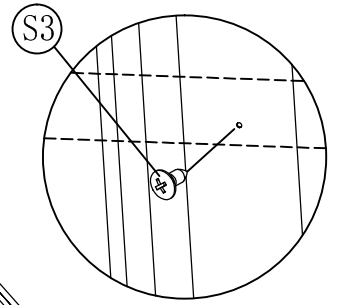
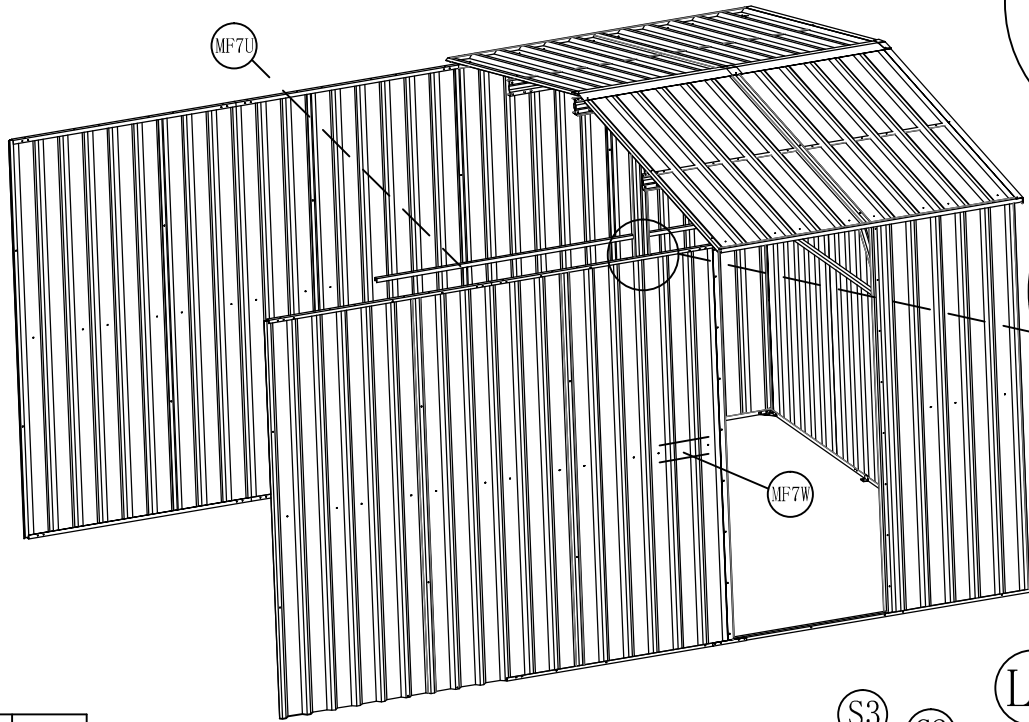


	J1	4
	MS3	1

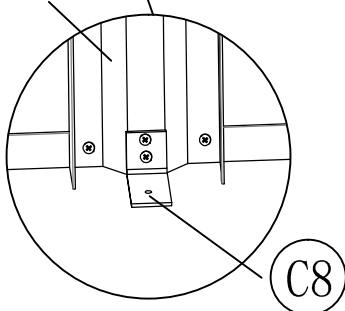
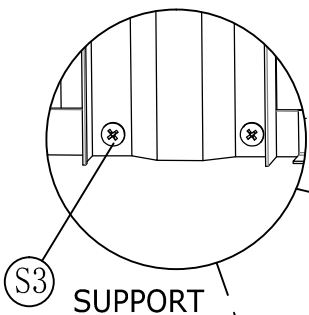
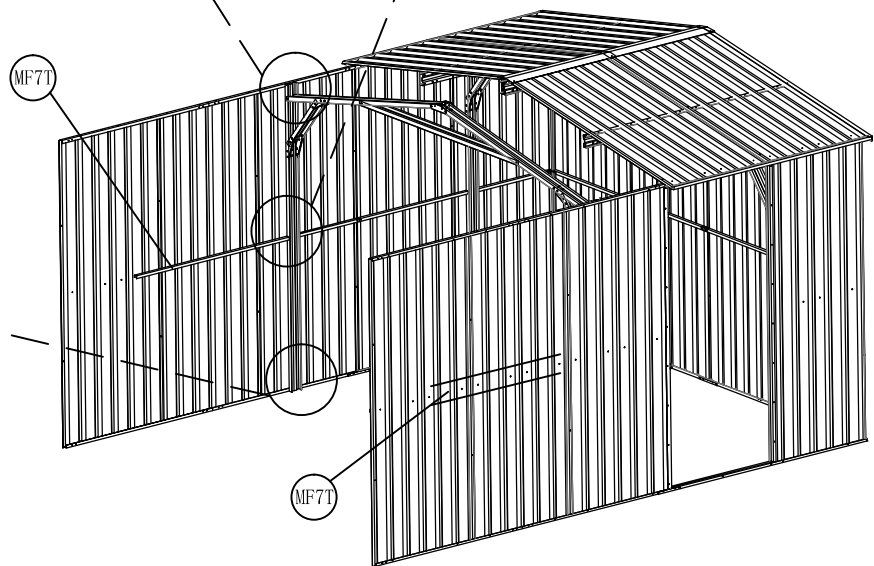
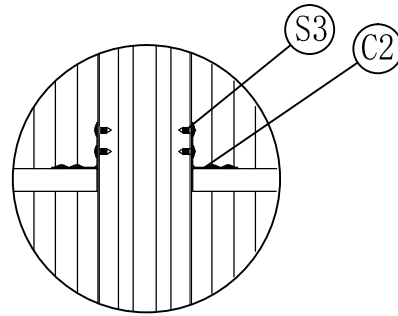
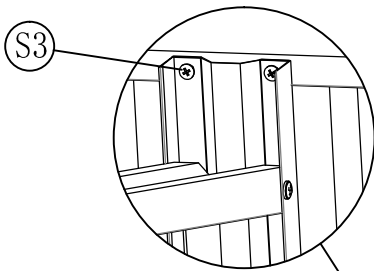


SHED ASSEMBLY

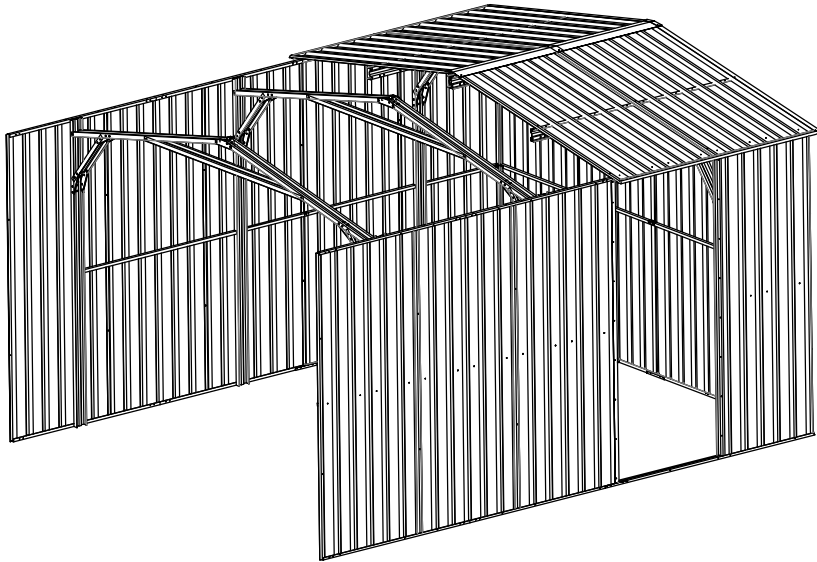
	C2	1		MF7U	1		MF7W	1
	L3	2		S3	11		L1	1


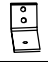
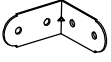



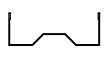

	MF7T	2
	C2	4
	S3	40
	L3	8
	C8	2

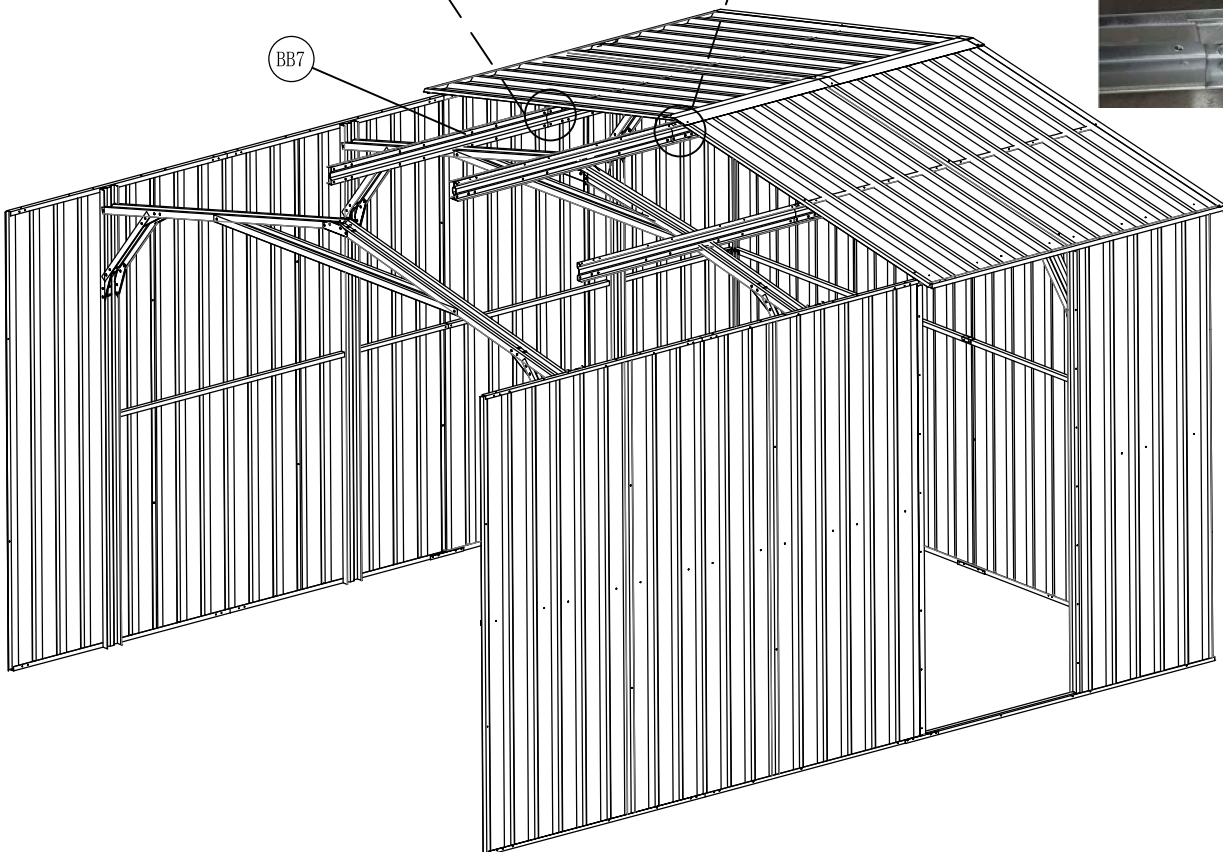
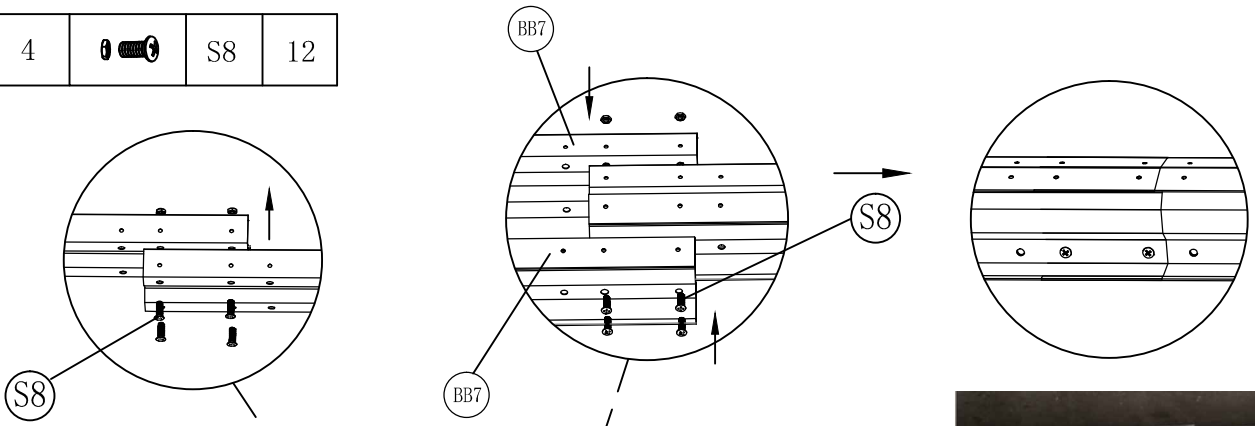


SHED ASSEMBLY

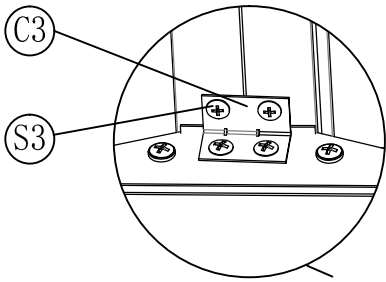


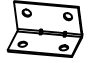

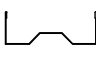

	S3	20
	C8	2
	C2	2
	L3	4

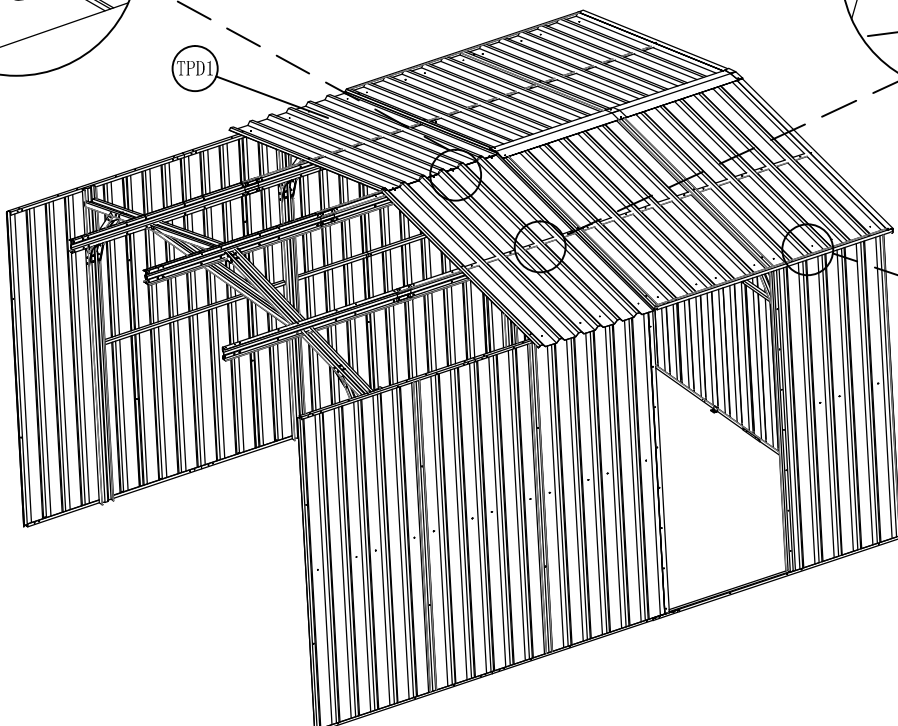
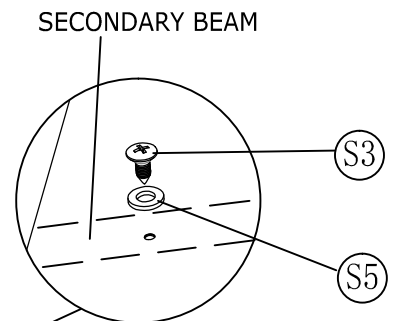
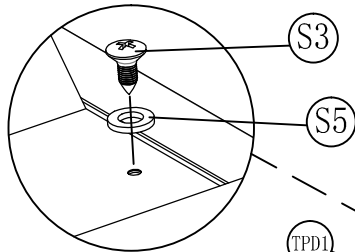
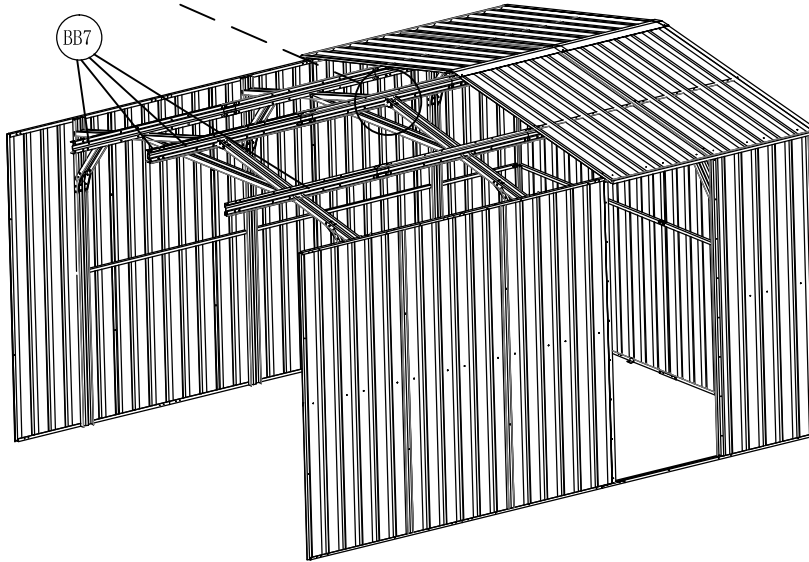
	BB7	4		S8	12
--	-----	---	---	----	----






SHED ASSEMBLY

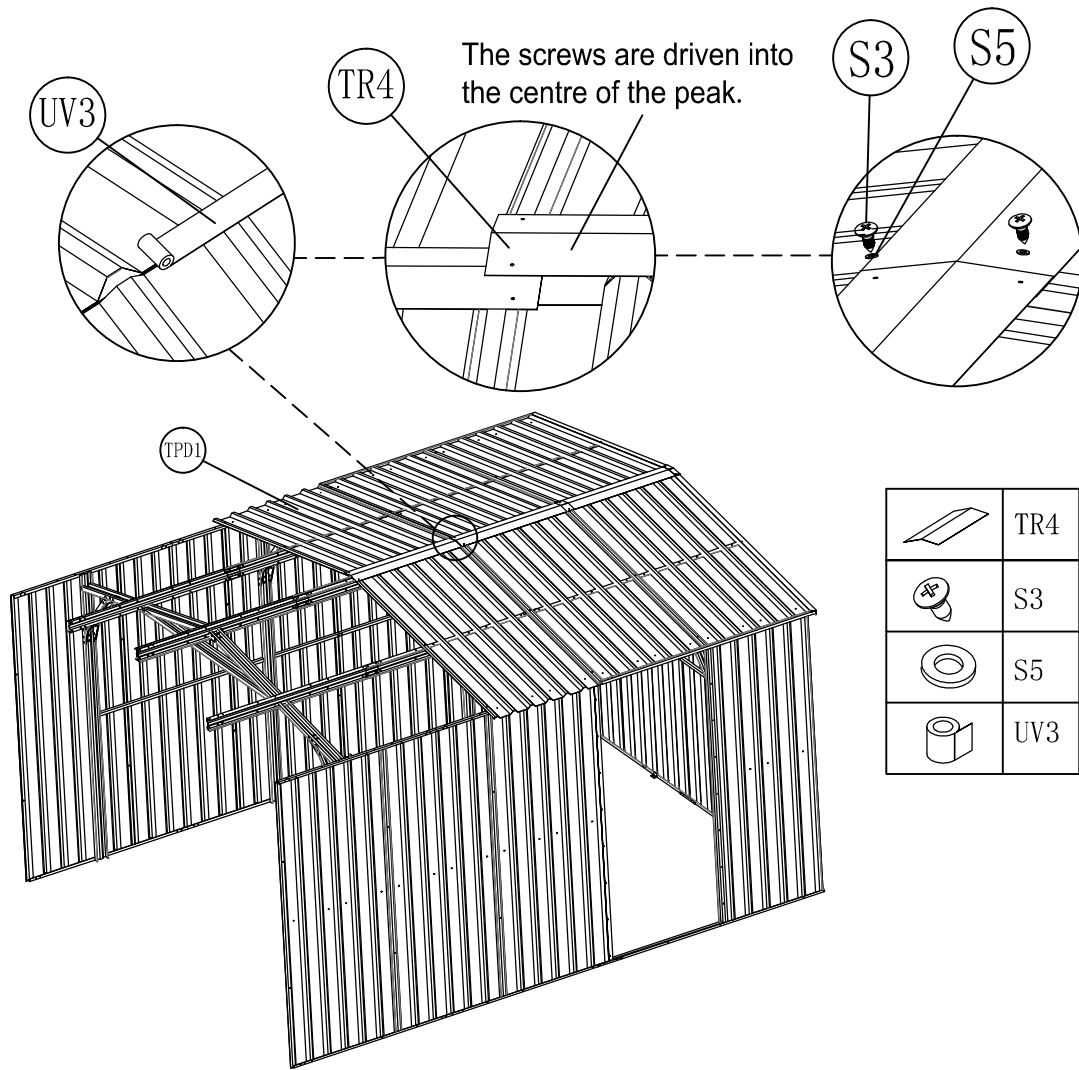






	C3	4		S3	16
	BB7	4		S8	18



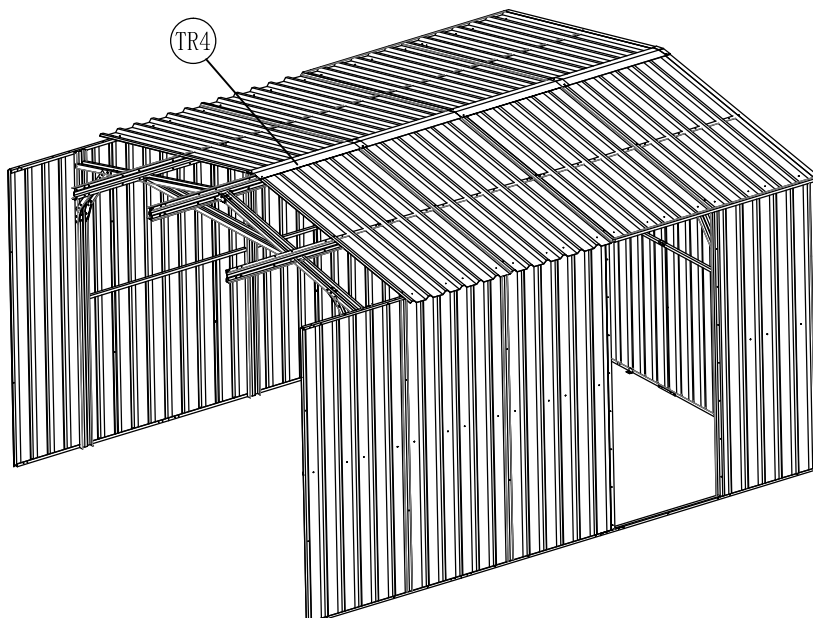
	TPD1	2
	S3	28
	S5	28

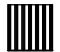



SHED ASSEMBLY




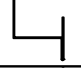


	TR4	1
	S3	2
	S5	2
	UV3	

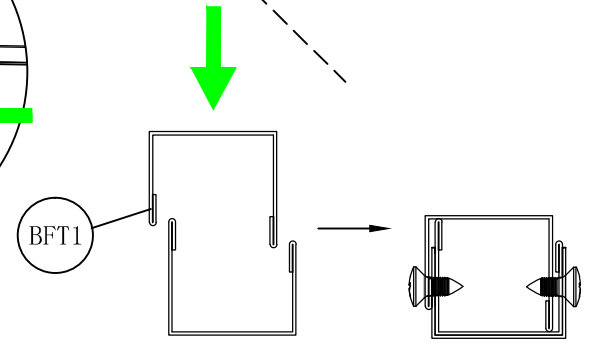
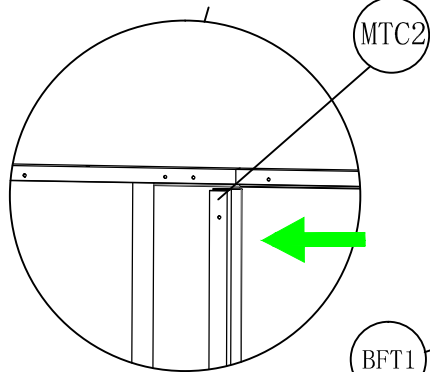
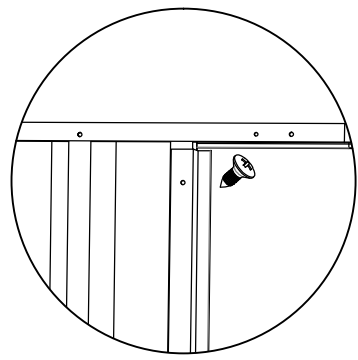
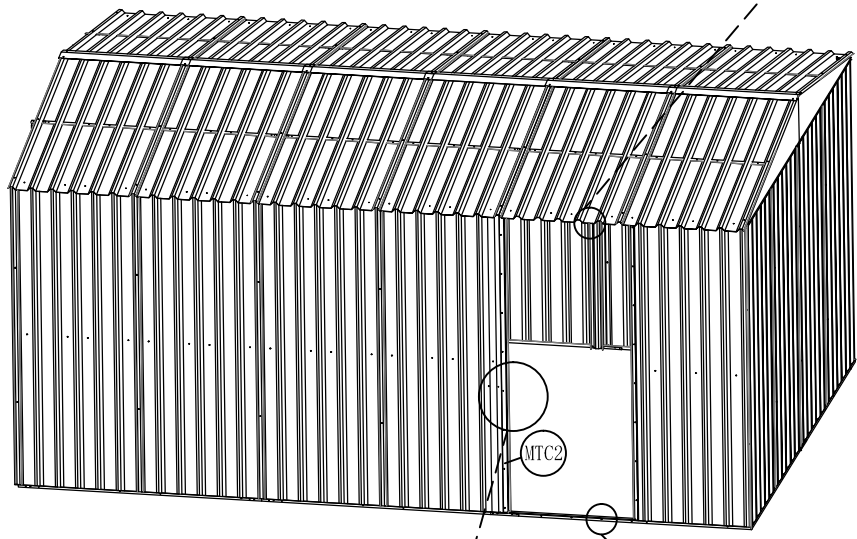
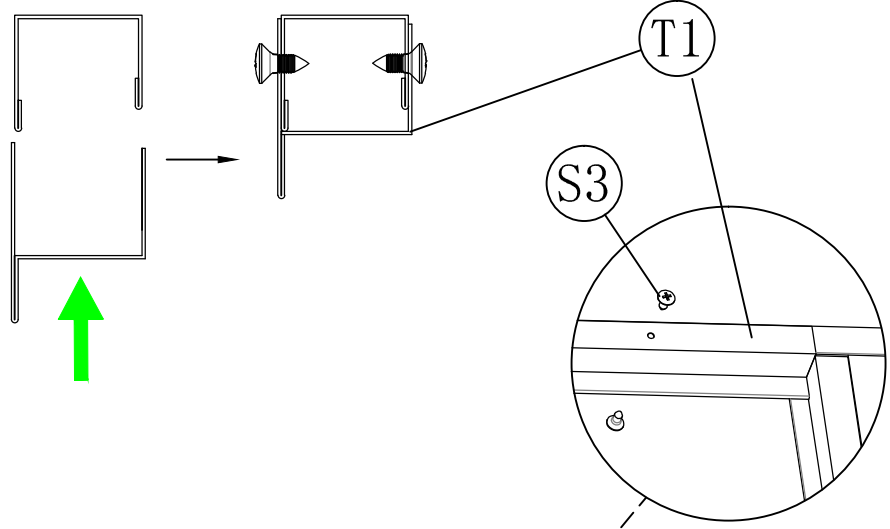
PLEASE INSTALL BOTH OF TPD1 AND INSTALL TR4 IN TURN.






	TPD1	4
	TR4	2
	S3	60
	S5	60

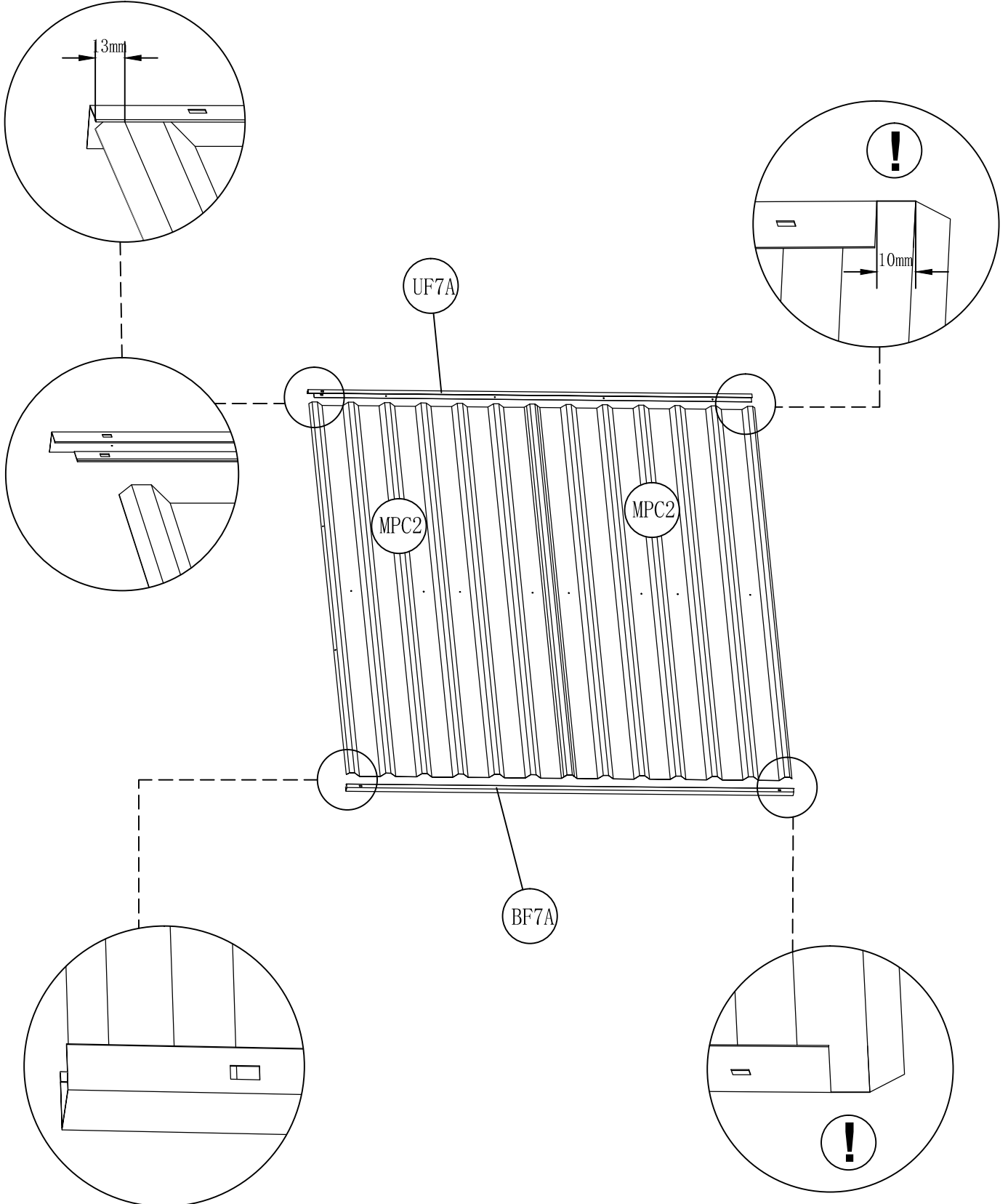
SINGLE DOOR CONSTRUCTION

	BFT1	1
	MTC2	1
	T1	1
	S3	14



RIGHT WALL ASSEMBLY

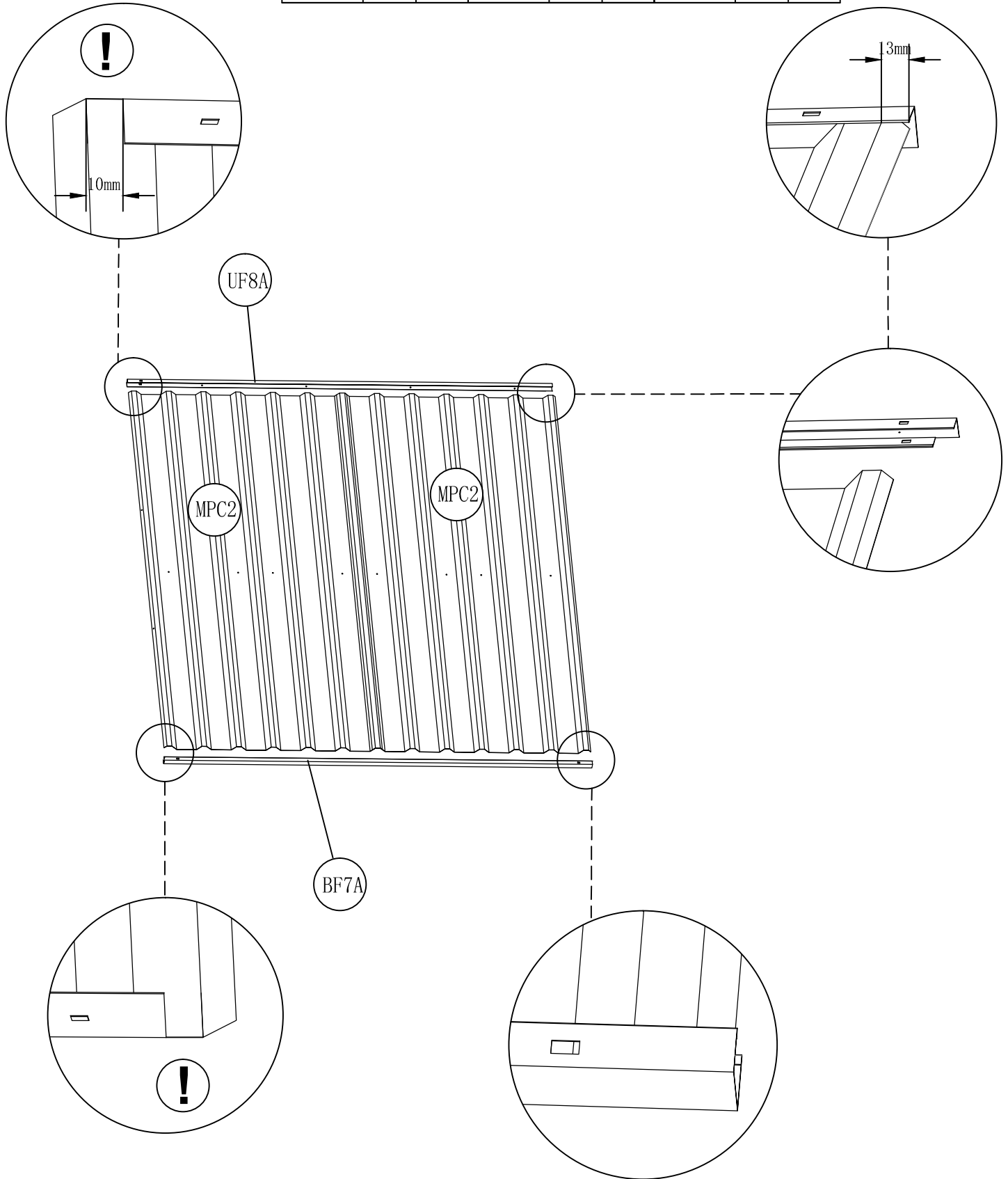
	MPC2	2		UF7A	1		BF7A	1
---	------	---	---	------	---	---	------	---



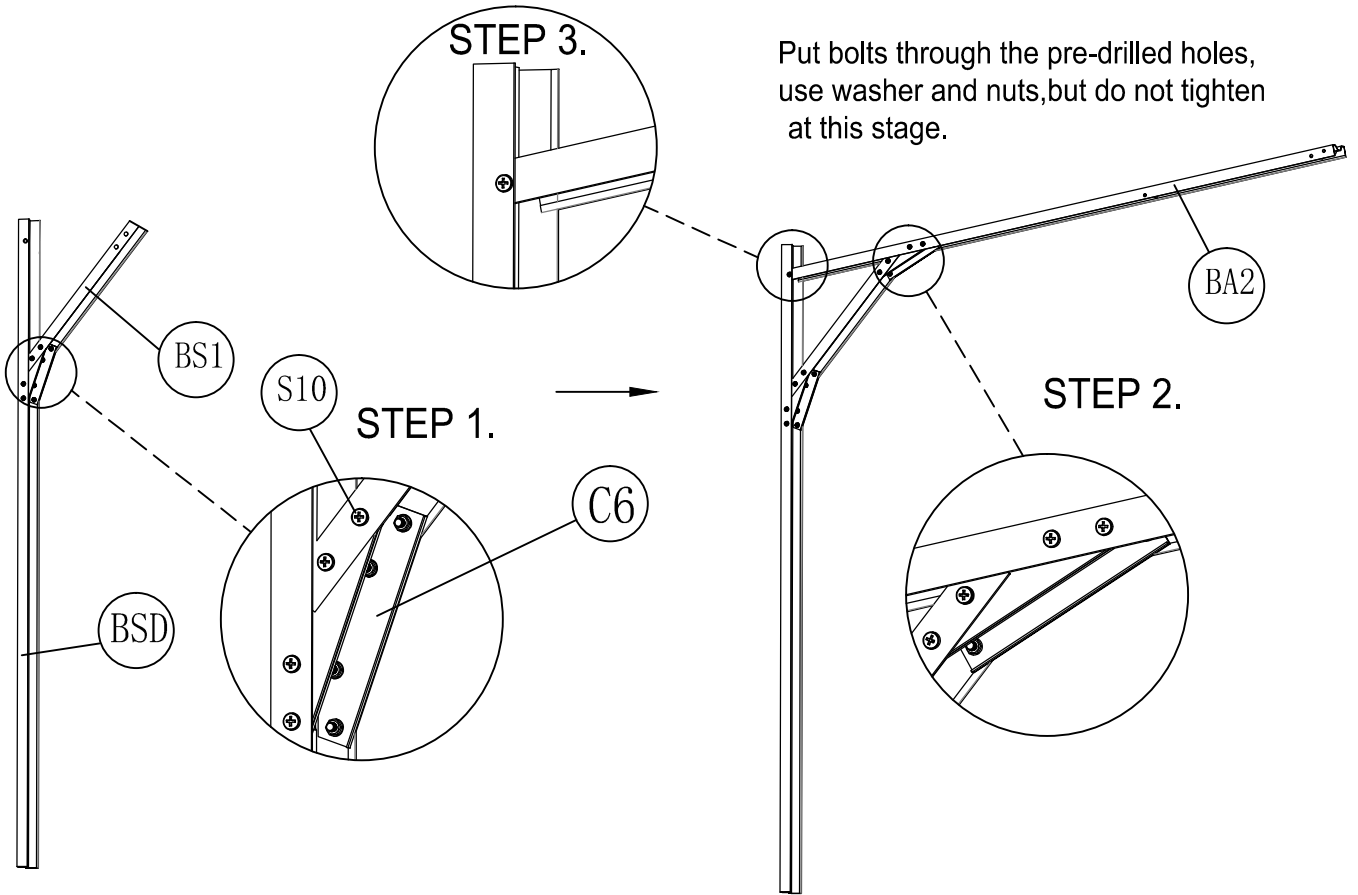
WALL ASSEMBLY

LEFT WALL ASSEMBLY

	MPC2	2		UF8A	1		BF7A	1
---	------	---	---	------	---	---	------	---

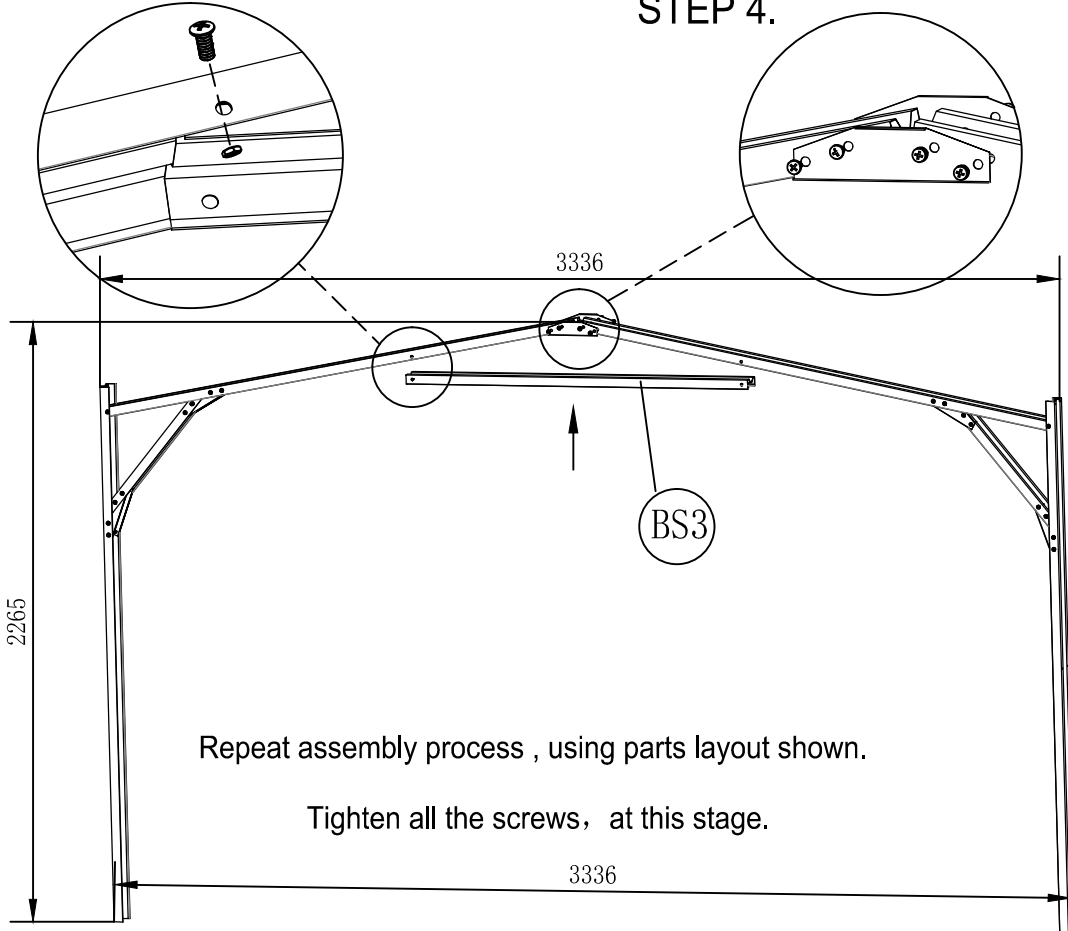


SUPPORT ASSEMBLY



STEP 5. Repeat assembly process of left side for right side, using parts layout shown.











STEP 4.



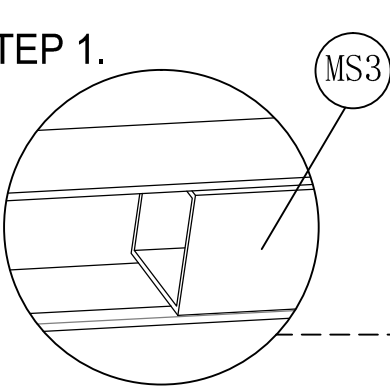
	BSD	2
	BS1	2
	BA2	2
	BS3	1
	S10	48
	C6	10

WALL ASSEMBLY

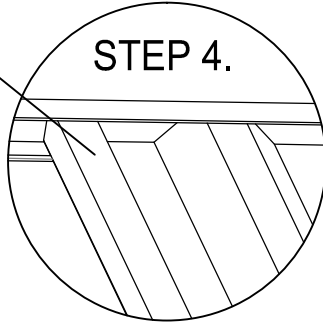
FRONT WALL ASSEMBLY

	MPCB	2		UF1E	1		UF2E	1		BF1E	1
	BF2E	1		MS3	3		MTC3	2		T11	1
	T12	1		S3	20						

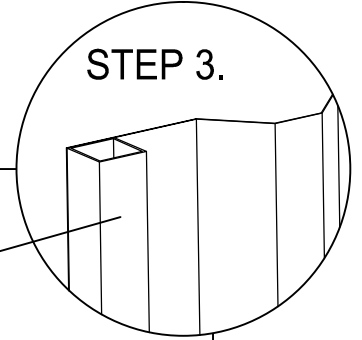
STEP 1.



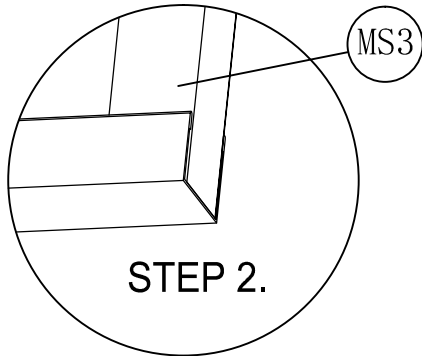
STEP 4.



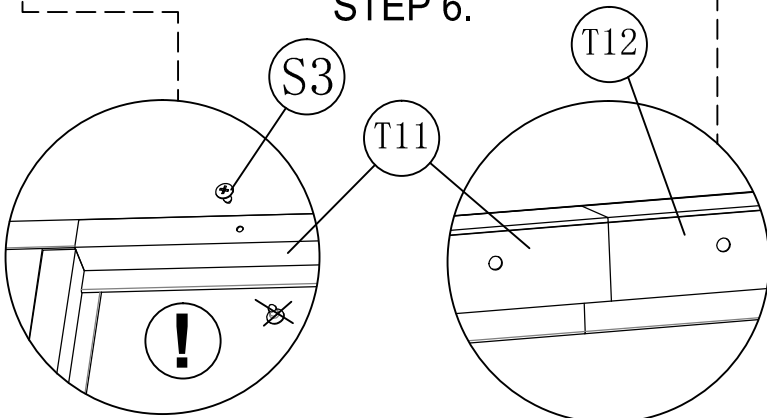
STEP 3.



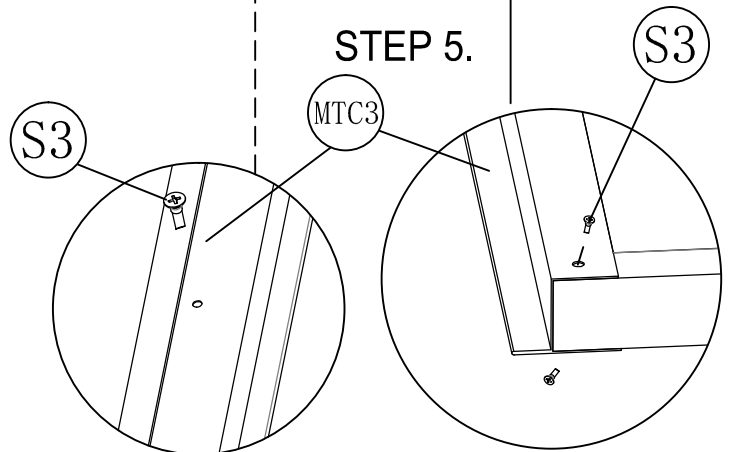
STEP 2.











STEP 6.


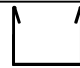


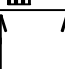
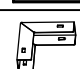



STEP 5.



DOOR ASSEMBLY

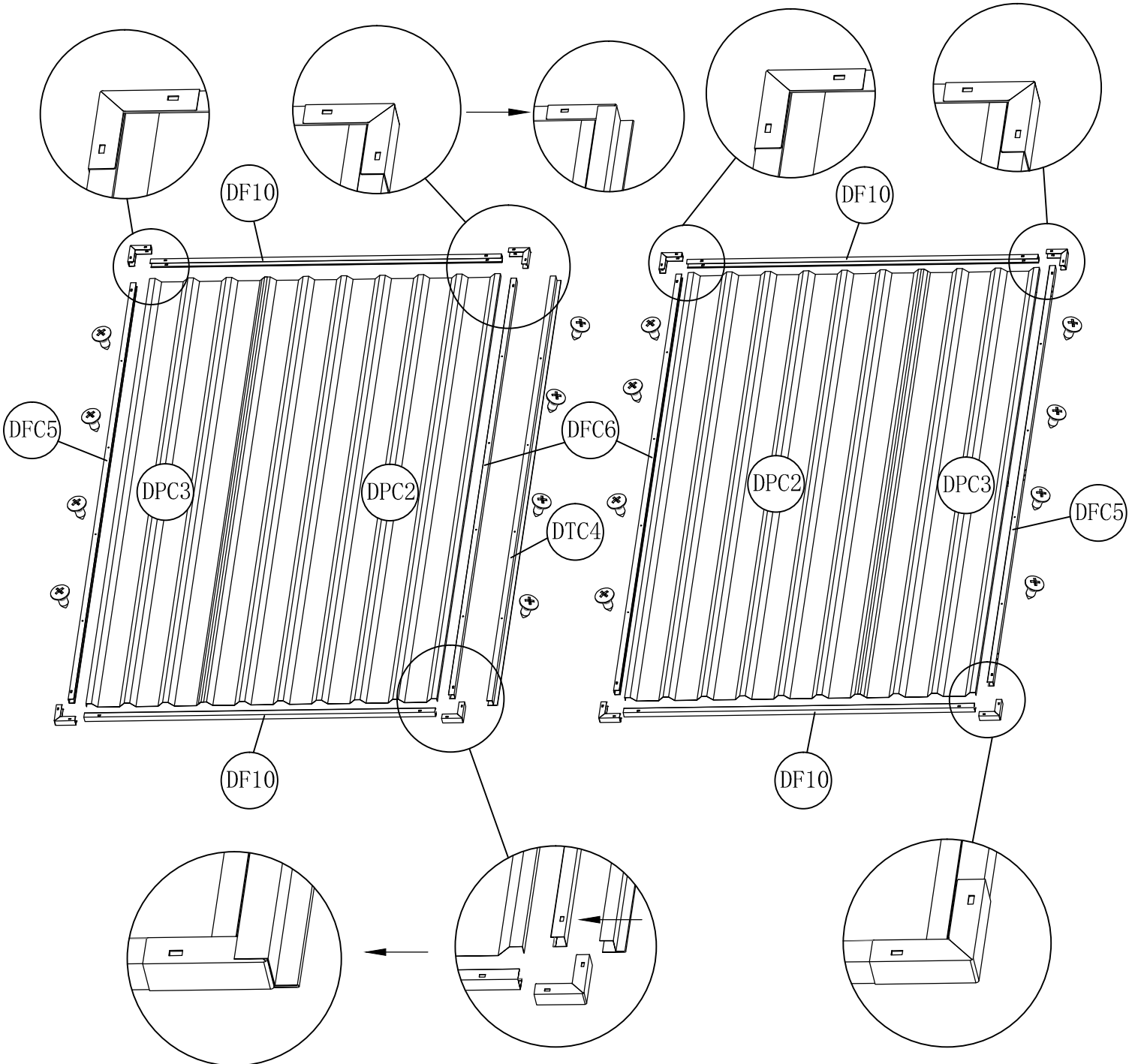
	DPC2	1		DF10	2
	DPC3	1		DFC5	1
	DTC4	1		DFC6	1
	S3	8		C12	4

	DPC2	1		DF10	2
	DPC3	1		DFC5	1
	DFC6	1		C12	4
	S3	8			

STEP 1.

LEFT DOOR

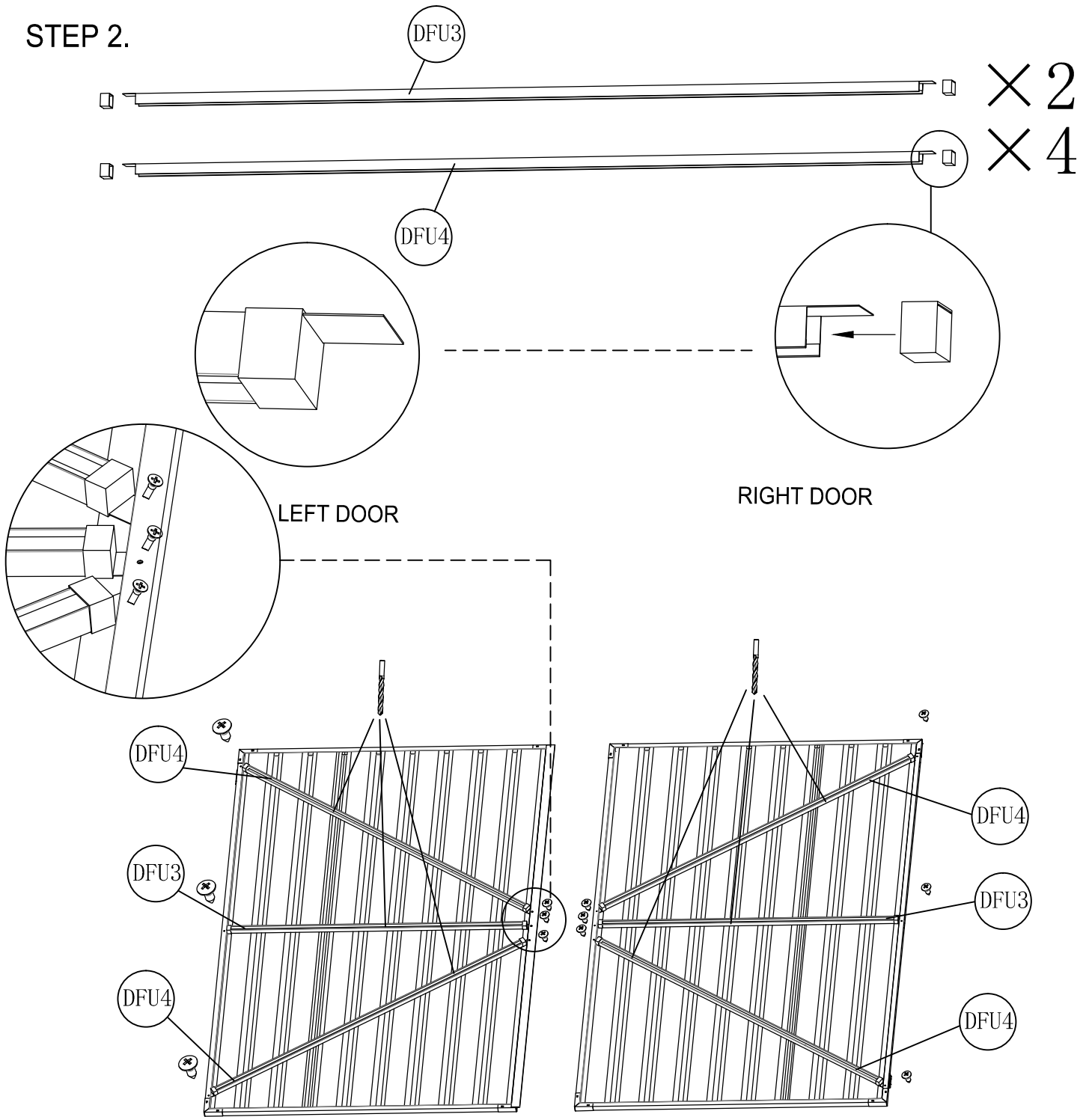
RIGHT DOOR



DOOR ASSEMBLY

LARGE DOUBLE DOOR ASSEMBLY

STEP 2.

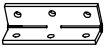


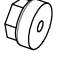



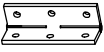


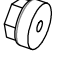

	DFU3	1
	DFU4	2
	L1A	6
	S3	6

	DFU3	1
	DFU4	2
	L1A	6
	S3	6

DOOR ASSEMBLY

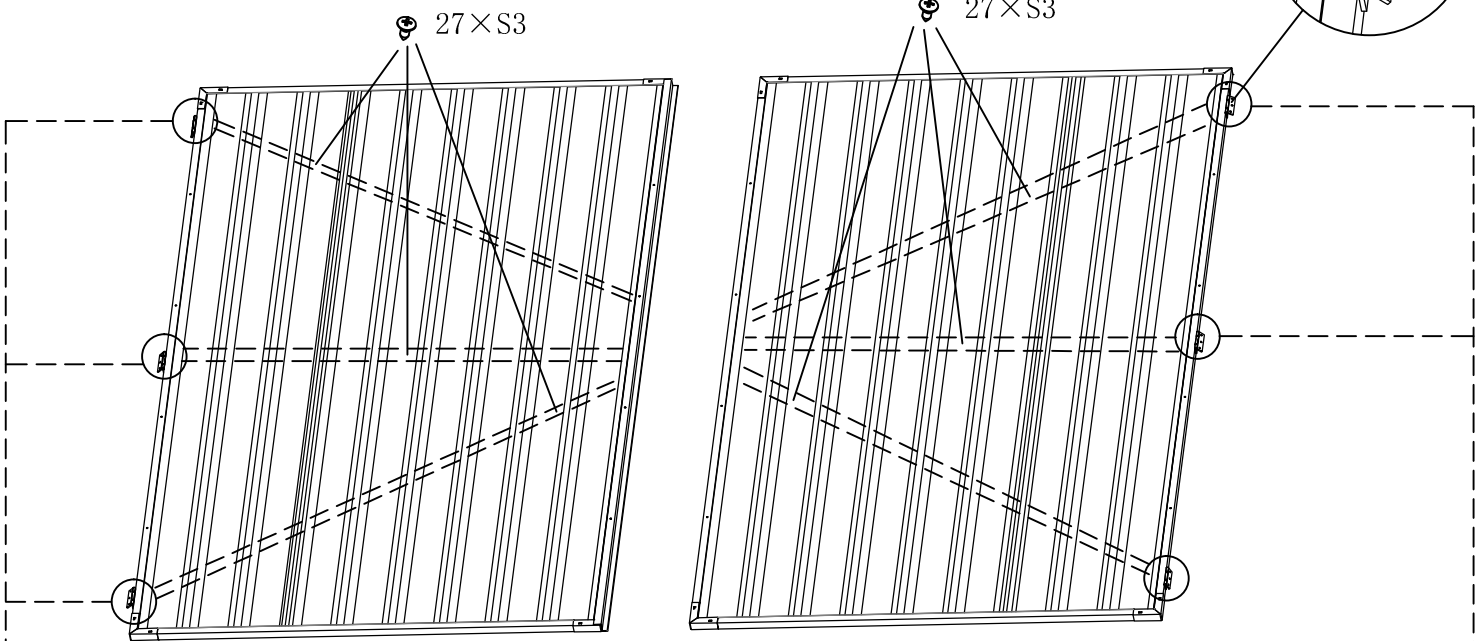
LARGE DOUBLE DOOR ASSEMBLY

	SH1	3		S3	27
	S16	9		L3	27
	MSA	3			

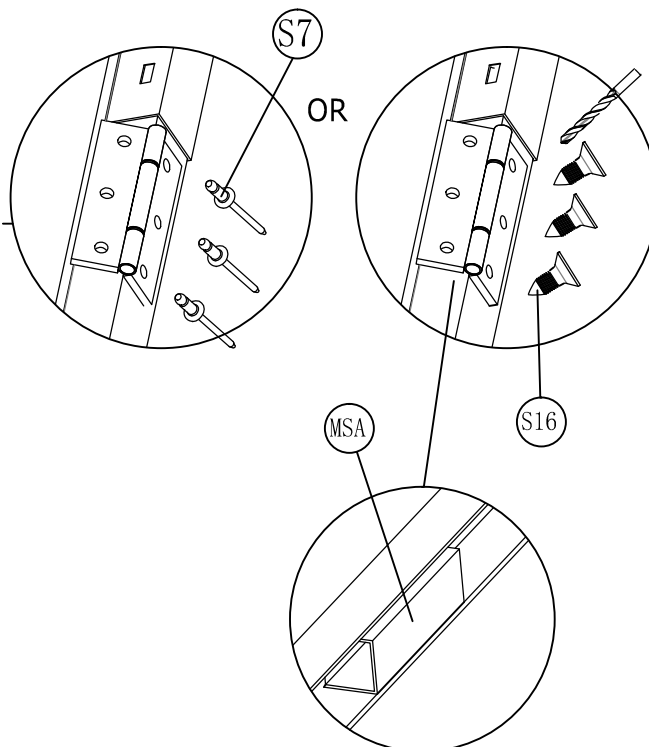
	SH1	3		S3	27
	S16	9		L3	27
	MSA	3			

STEP 4. LEFT DOOR

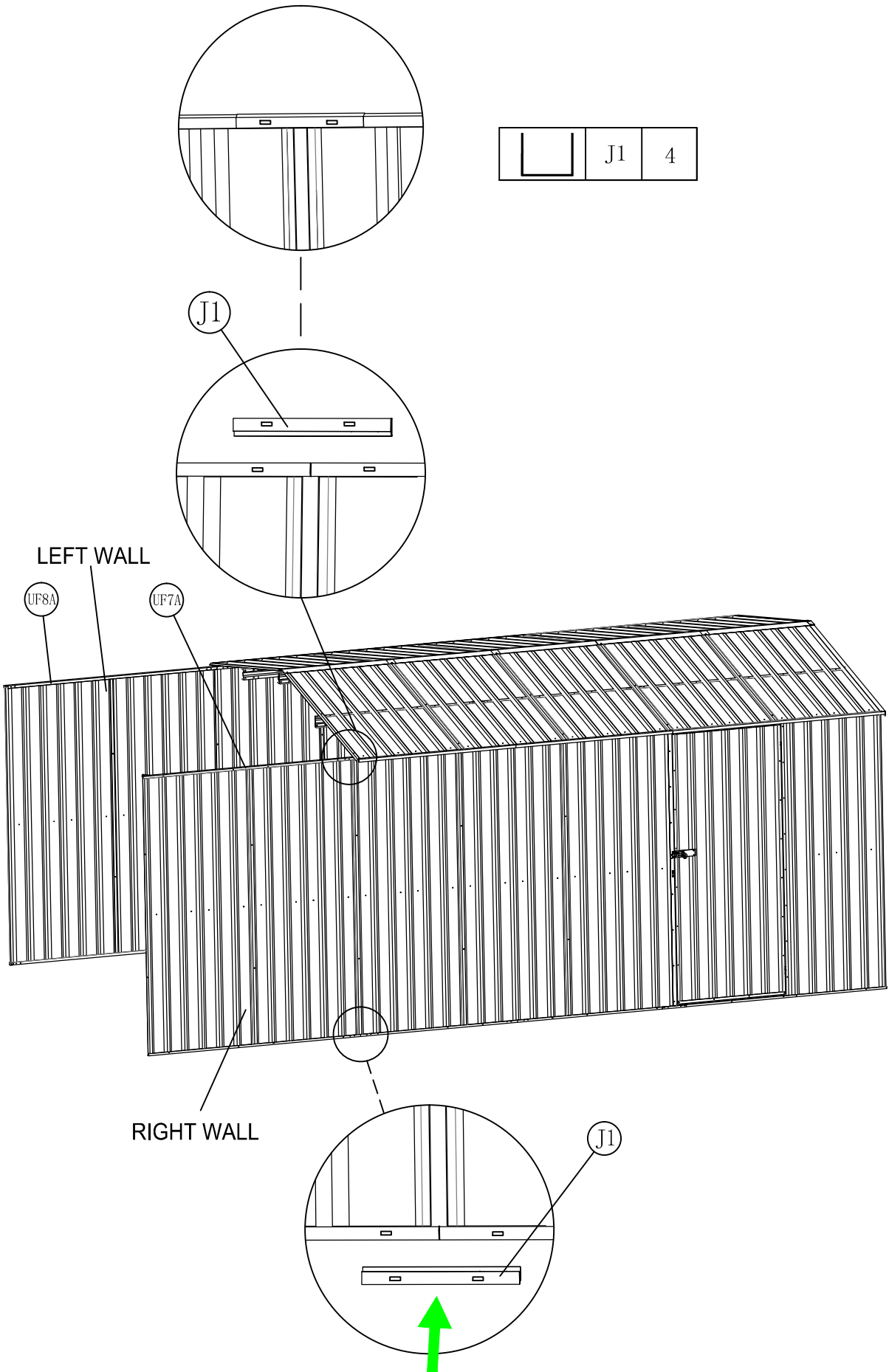
RIGHT DOOR



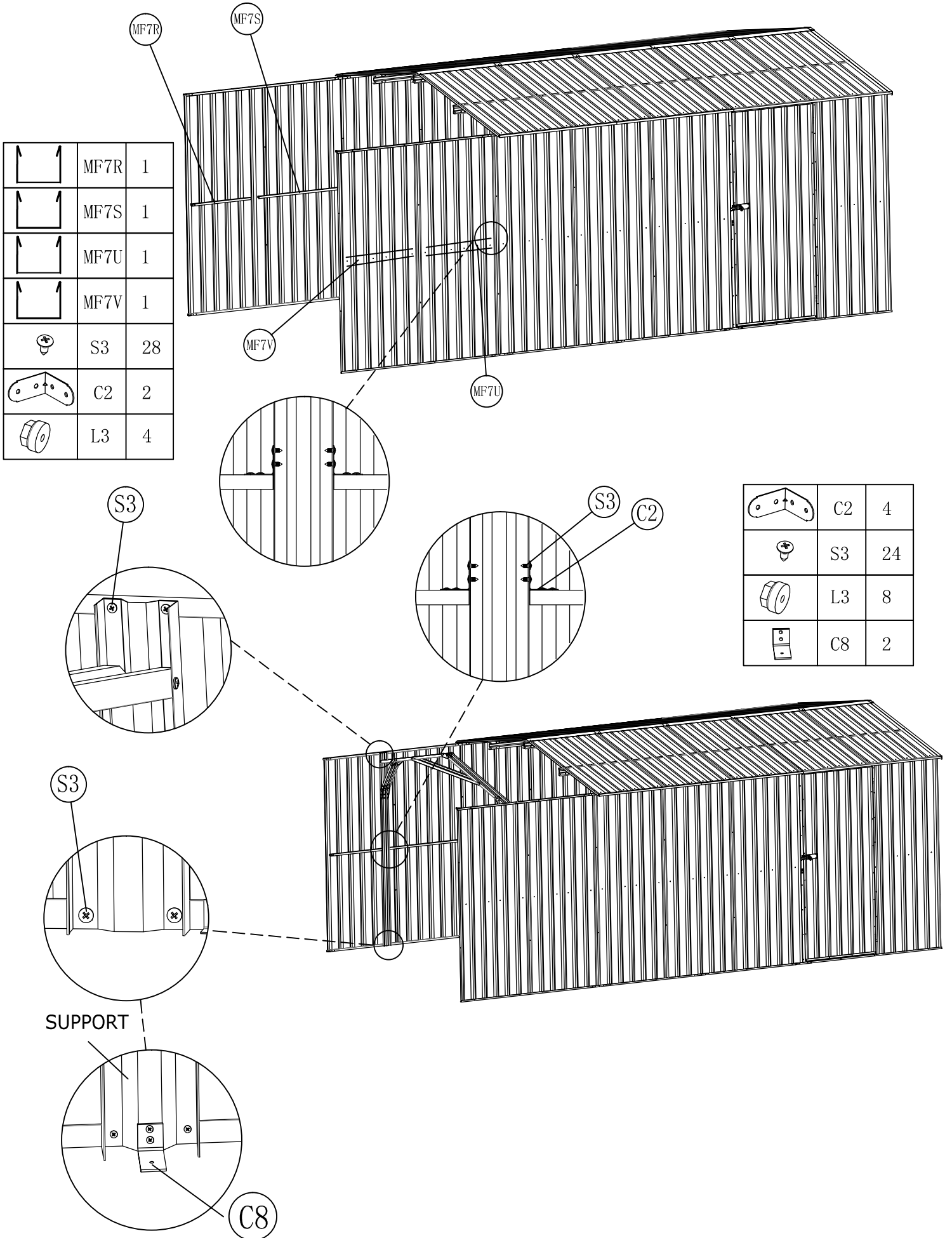
STEP 5.




SHED ASSEMBLY

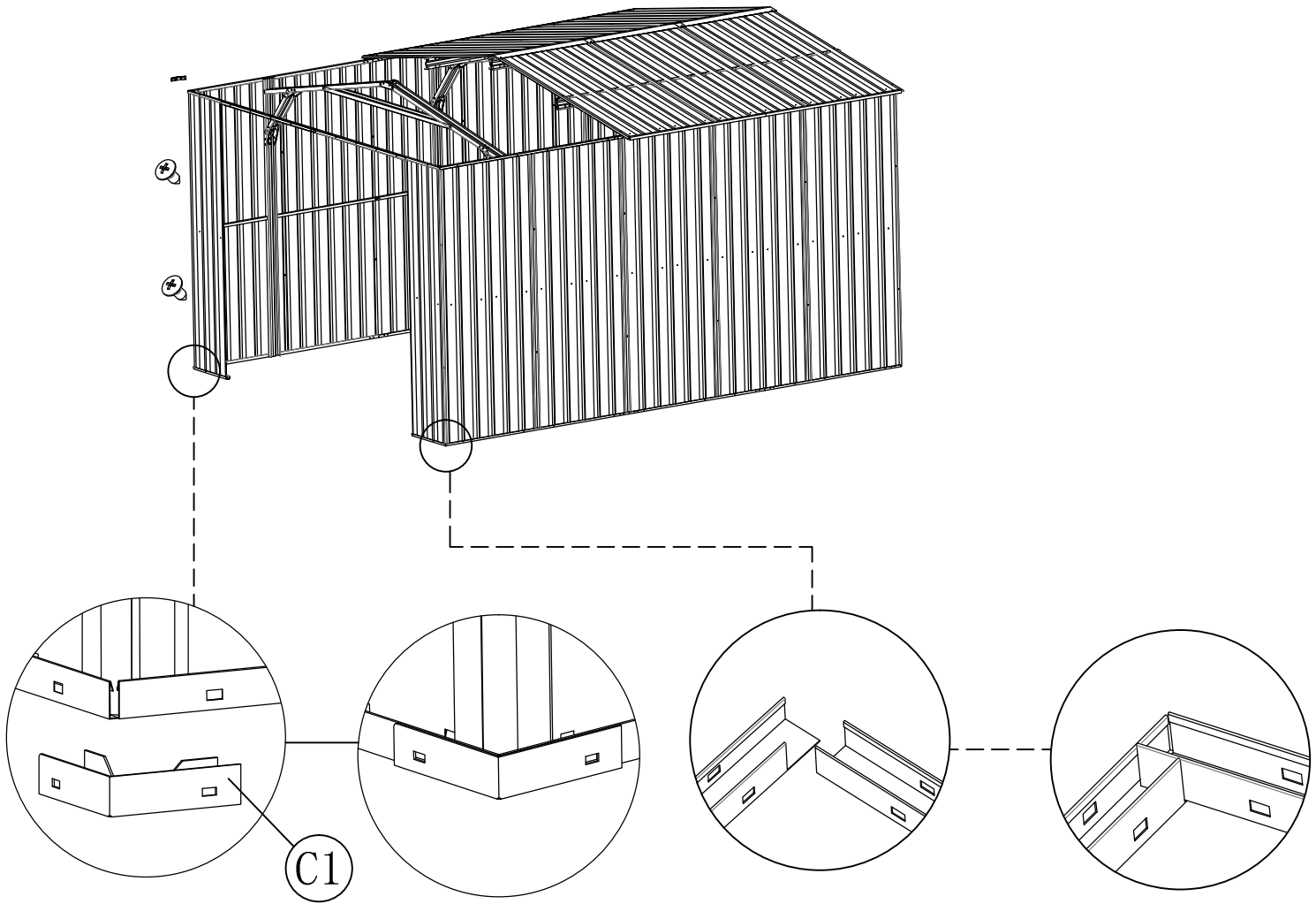


SHED ASSEMBLY



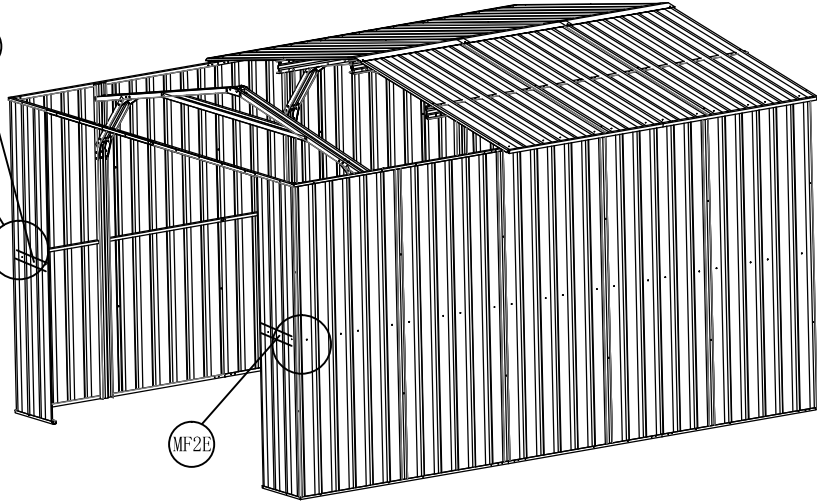
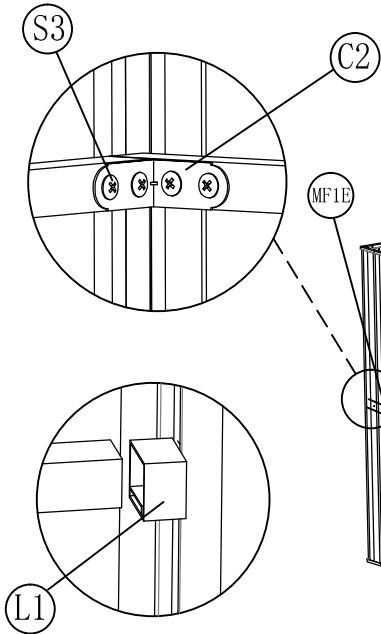
SHED ASSEMBLY

	C1	4		S3	4
	L3	4			

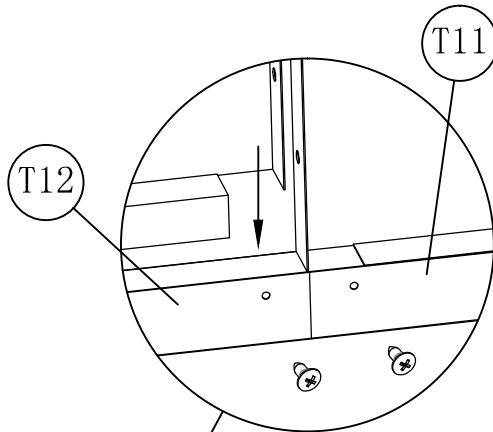


SHED ASSEMBLY

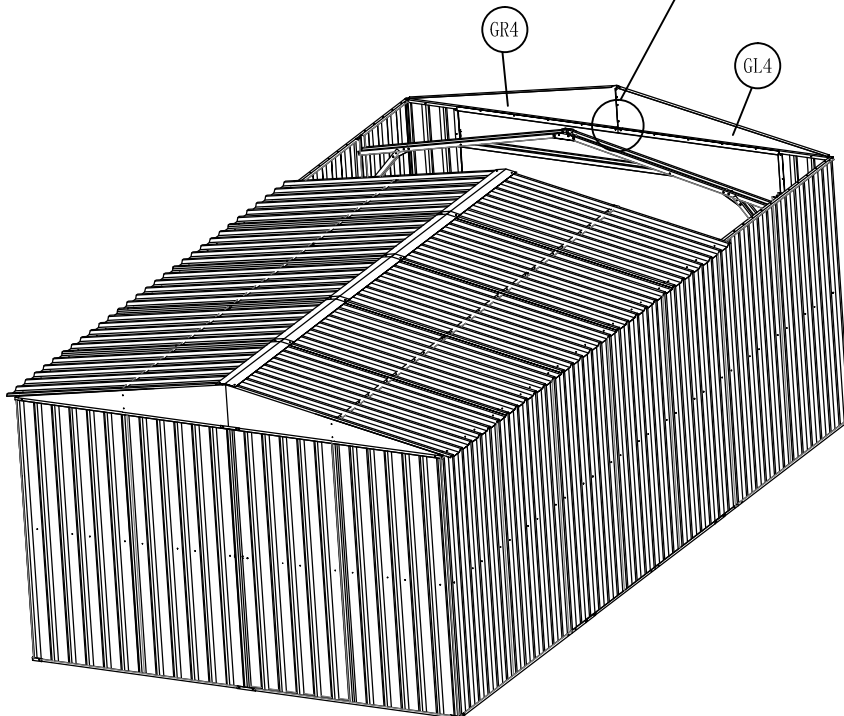
	C2	2		MF1E	1
	S3	12		MF2E	1
	L1	2			



	GL4	1		GR4	1
	S3	10			



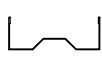
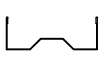
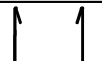

USE THE HOLES ON GL4 AND GR4 ,Drilling NEW HOLES ON MS5 ,FASTEN THEM WITH S3.



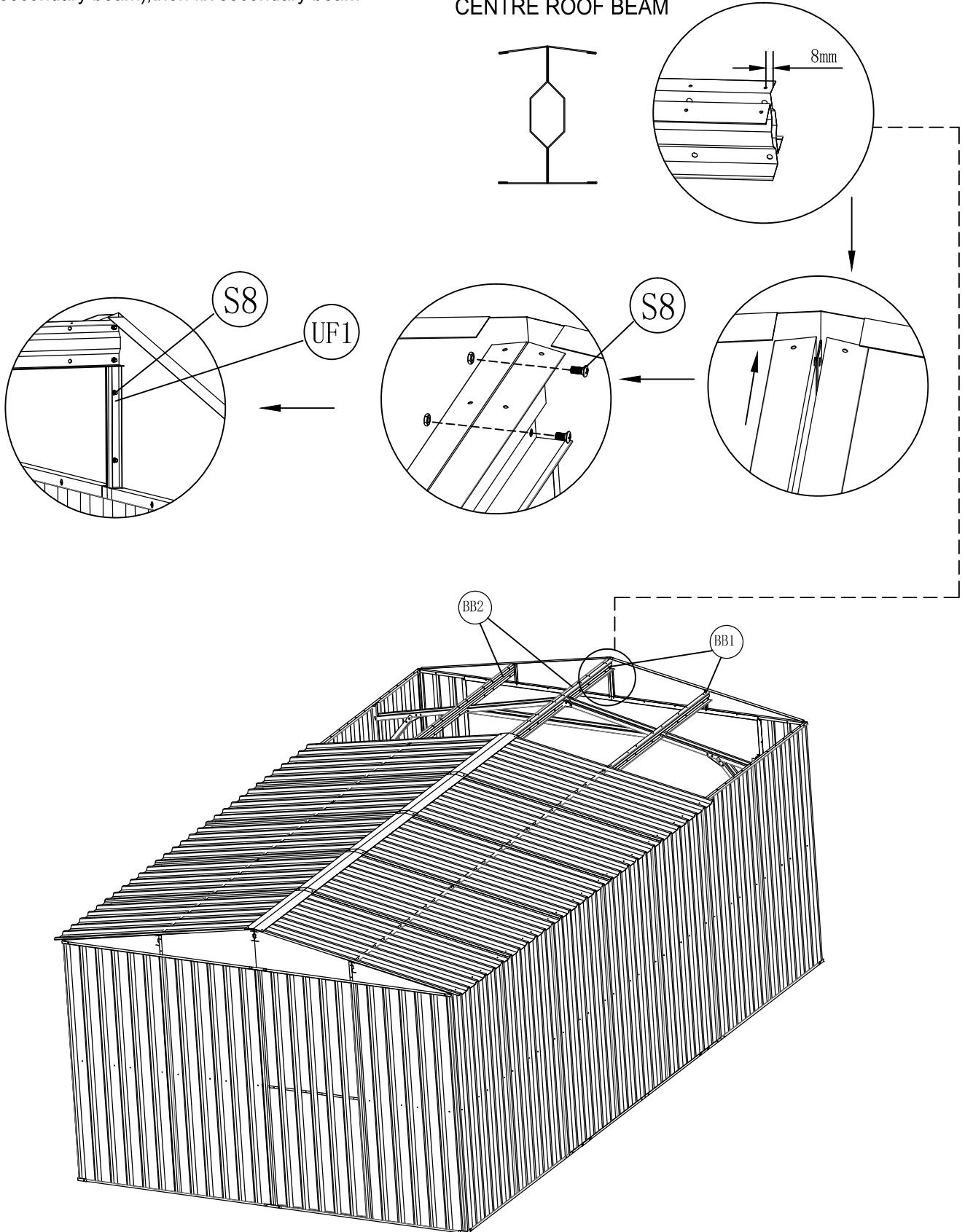
BEAM CONSTRUCTION

Beam Assembly Process:

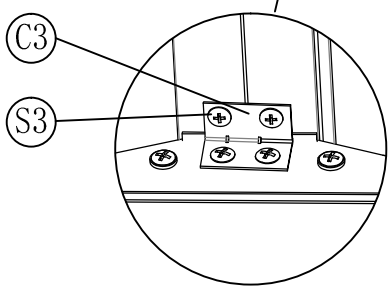
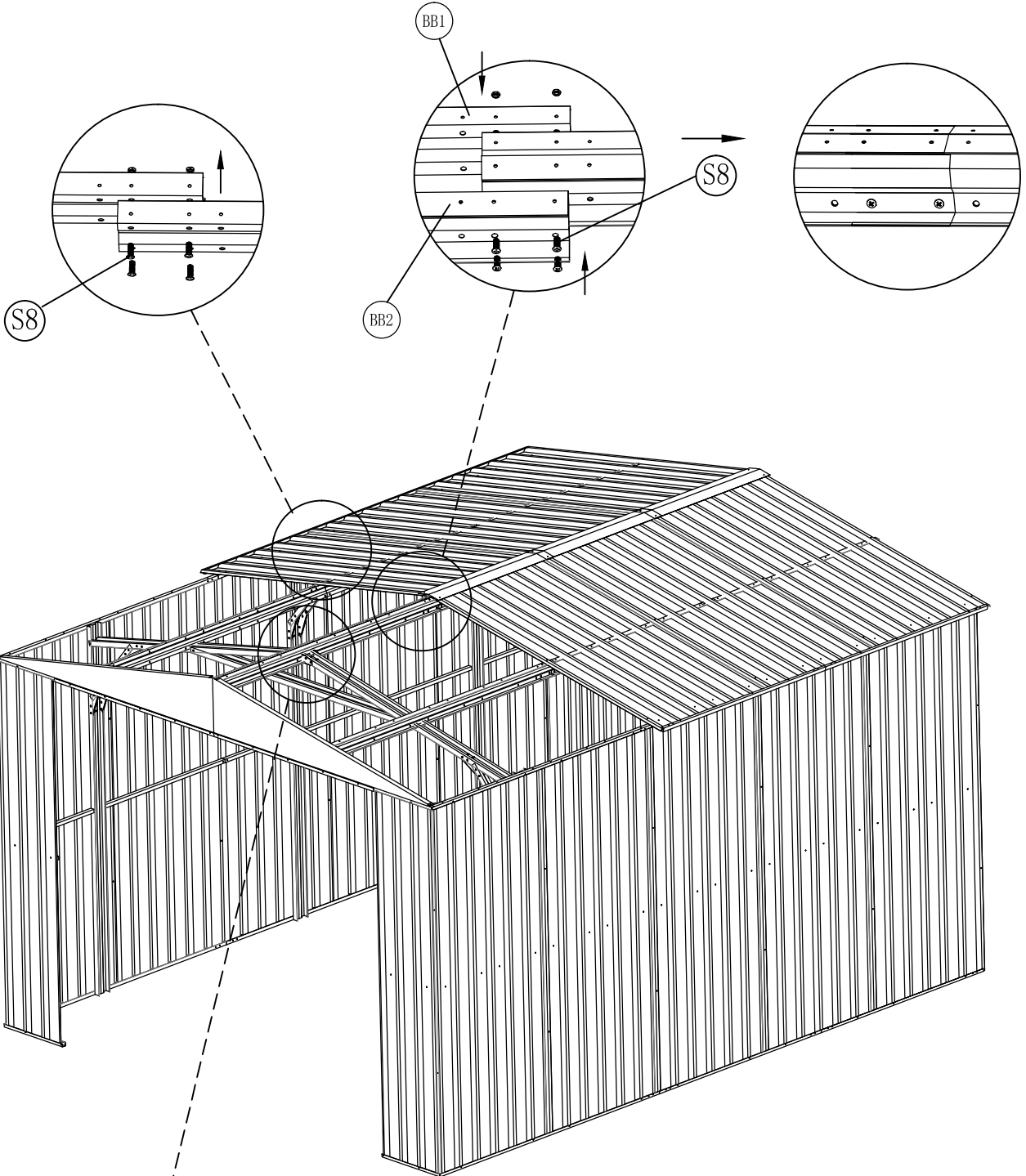
1. Fix centre roof beam.
2. Put secondary beam on the roof, do not fix at this stage.
3. Fix one left and one right roof panel on the roof, so the position of secondary beam can be confirmed by overlapping the holes on roof panel and secondary beam, then fix secondary beam.

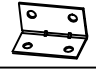


	BB1	2		BB2	2
	UF1	2		S8	4

CENTRE ROOF BEAM



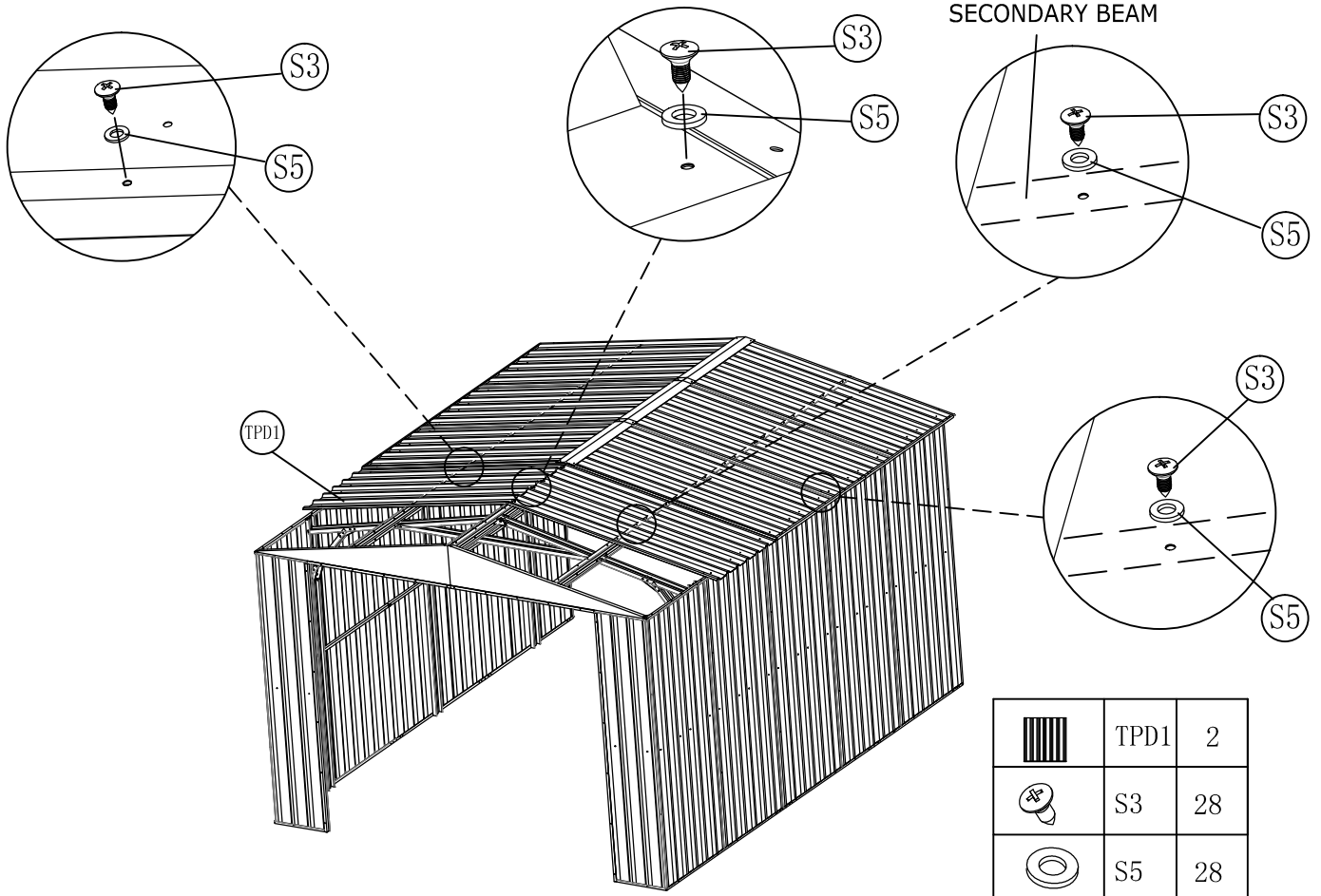
SHED ASSEMBLY



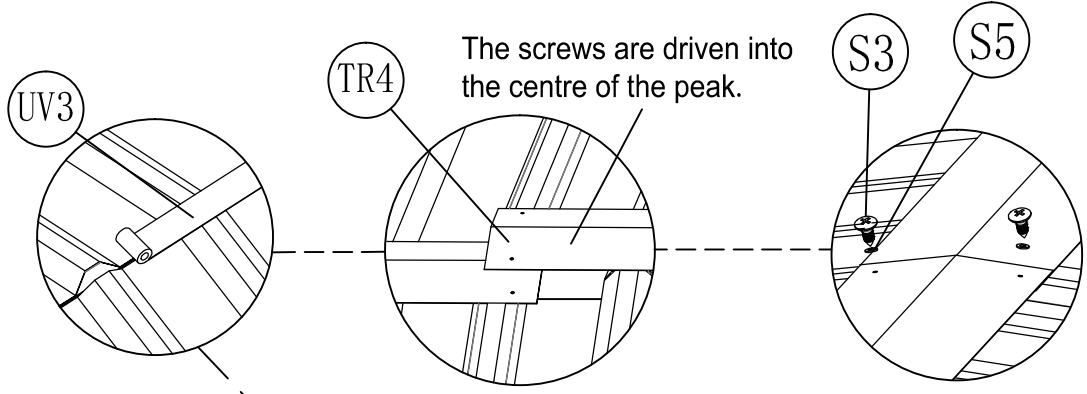
	C3	2		S3	8
	S8	18			

SHED ASSEMBLY

SECONDARY BEAM

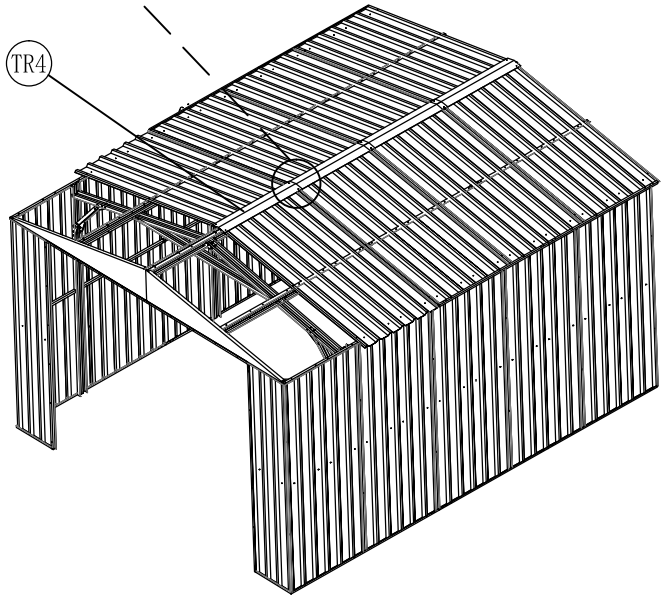


	TPD1	2
	S3	28
	S5	28



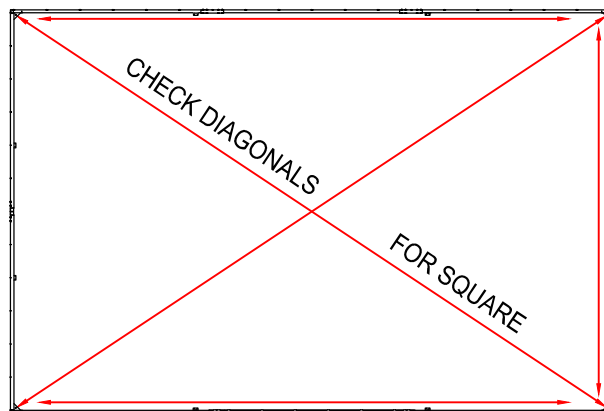
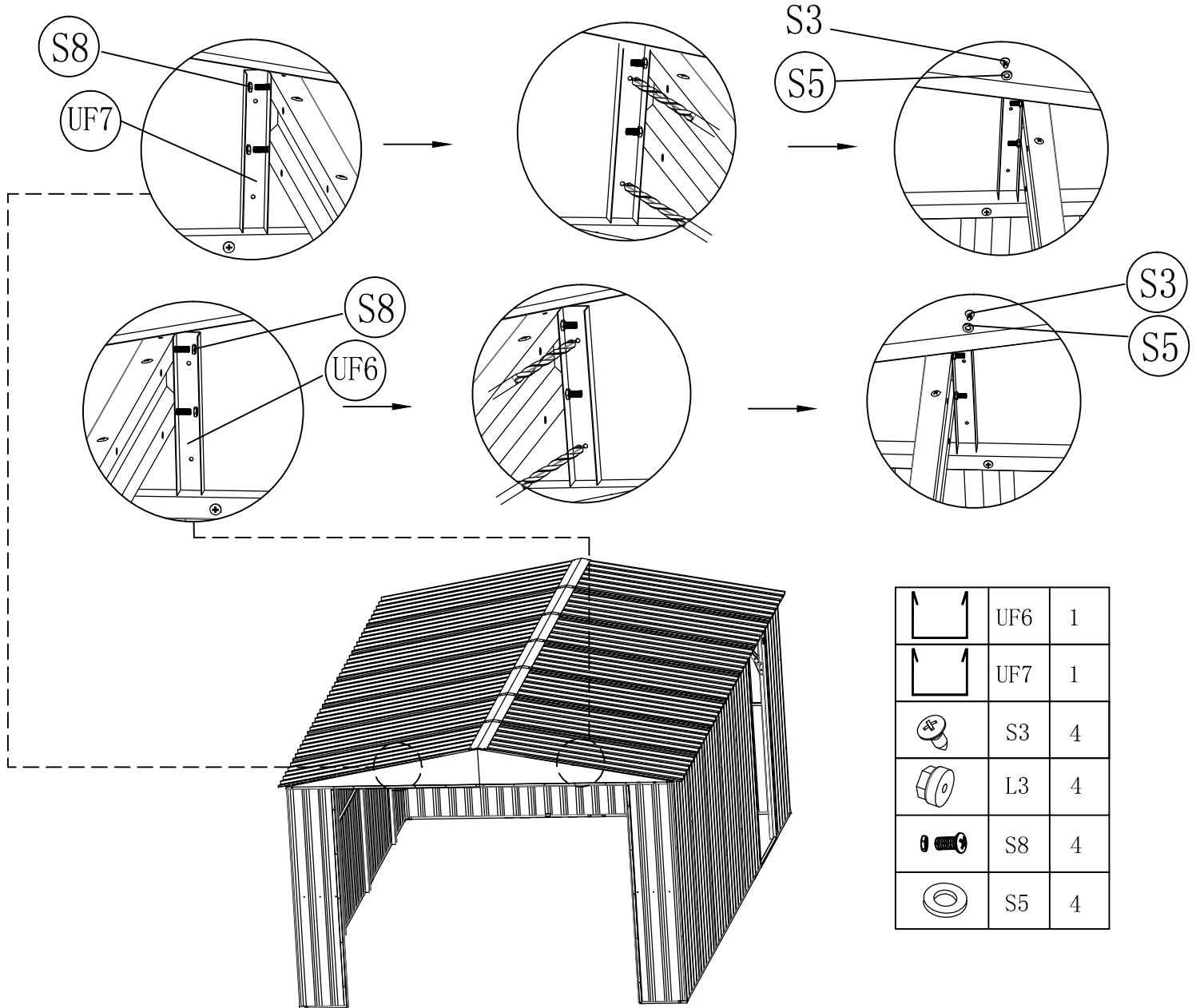
	TR4	1
	S3	2
	S5	2
	UV3	

PLEASE INSTALL BOTH OF TPD1 AND INSTALL TR4 IN TURN.








	TR4	1
	TPD1	2
	S3	30
	S5	30

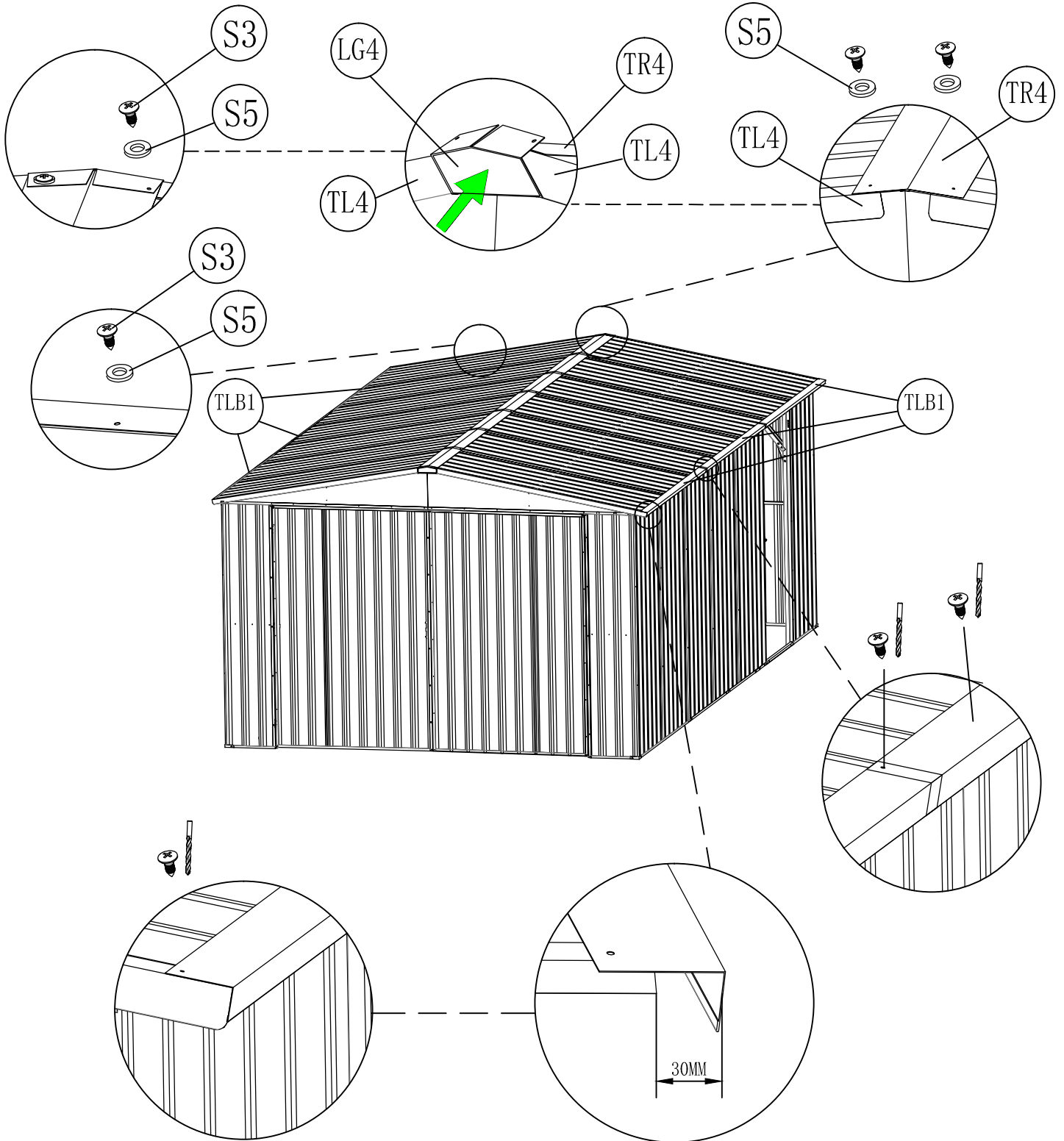
SHED ASSEMBLY

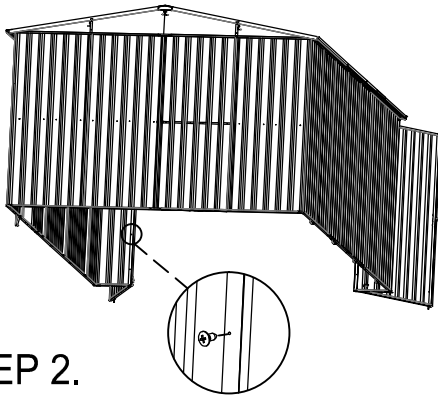


The shed is now free standing. It is critical at this stage, to ensure the shed is leveled. Also by measuring the diagonal distance, make sure the four side walls form a perfect square.

ROOF CONSTRUCTION

	TLB1	6		TL4	4		LG4	2
	S3	32		S5	12			





STEP 2.

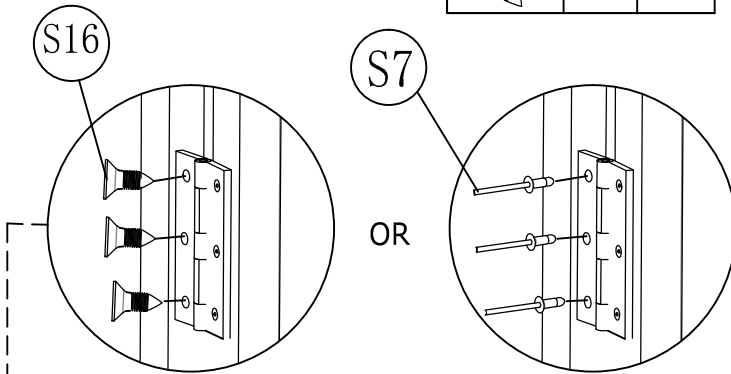
Adjust the door position until it opens and closes freely,
Use the holes on MTC3, drill new holes and fasten using S3.

	S3	12
--	----	----

STEP 1.

Adjust the position of the door, mark on MTC1 or MTC3 and use the drill to drill through, then use S7 or S16 to connect.

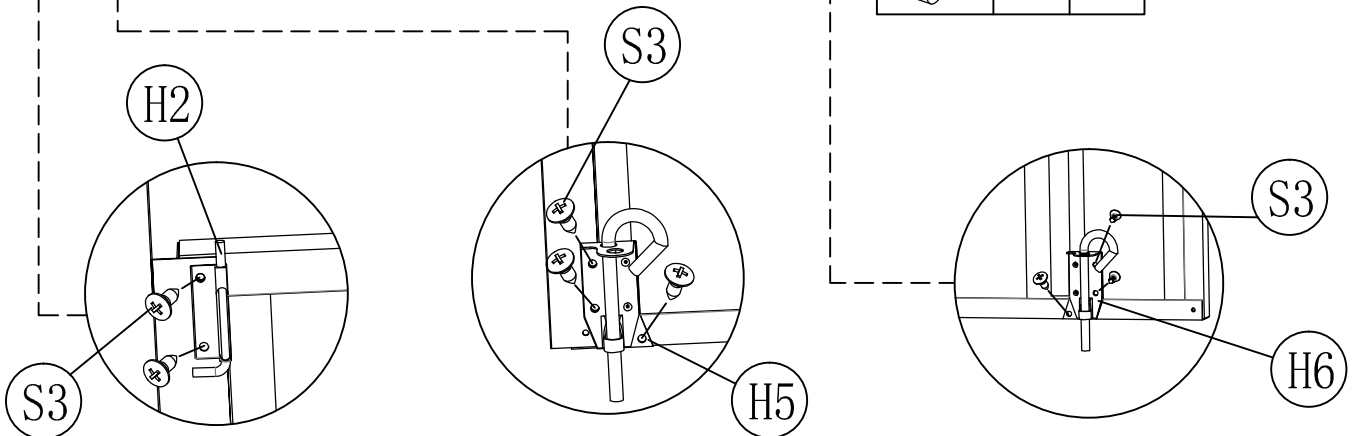
	S16	24
--	-----	----




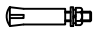
STEP 3.

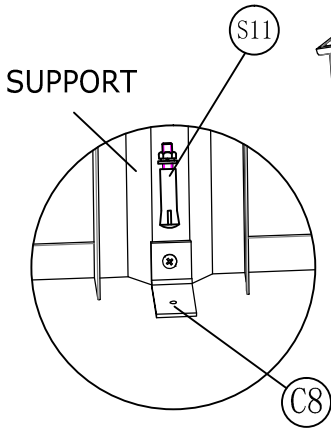
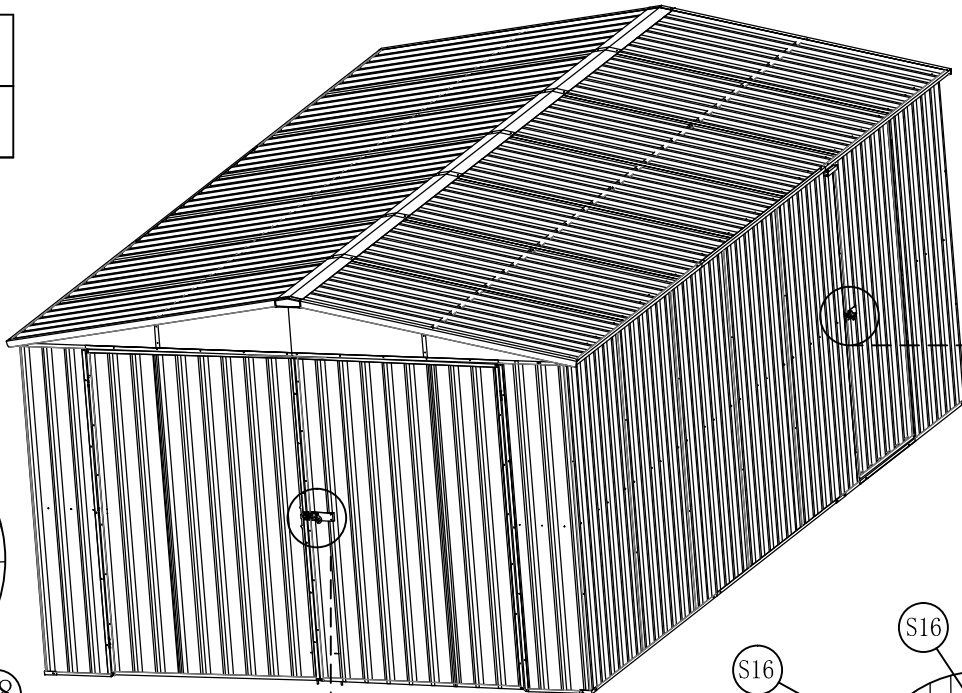
Determine position of lower latch when the door is closed, mark the spot and drill holes, then fix with S3.

	H2	1		H5	1
	H6	1		S3	8
	L3	2			

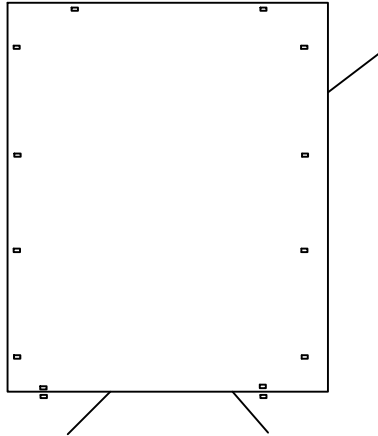


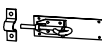

DOOR CONSTRUCTION

	C7	14
	S11	22

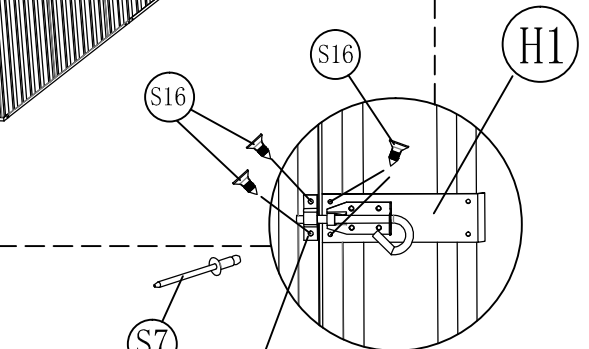


ANCHORING OF SHED

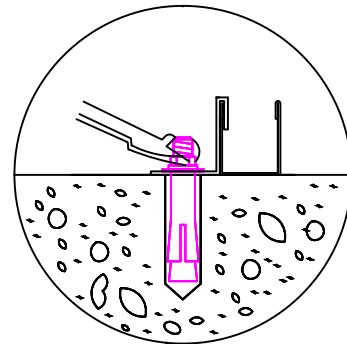
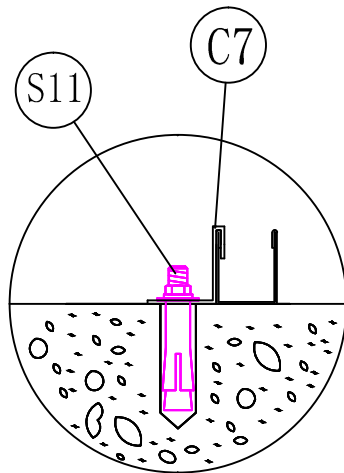
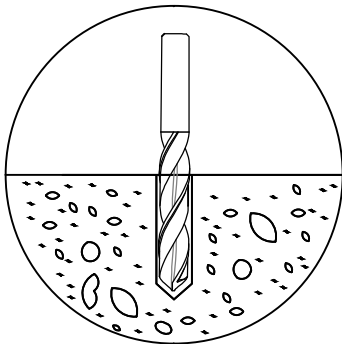
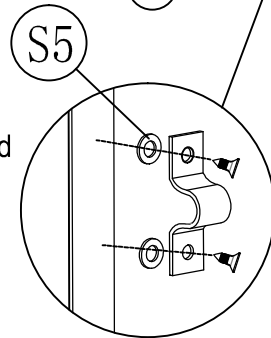


	H1	2
	S16	12

It is easy to use, please add some S5 under H1.

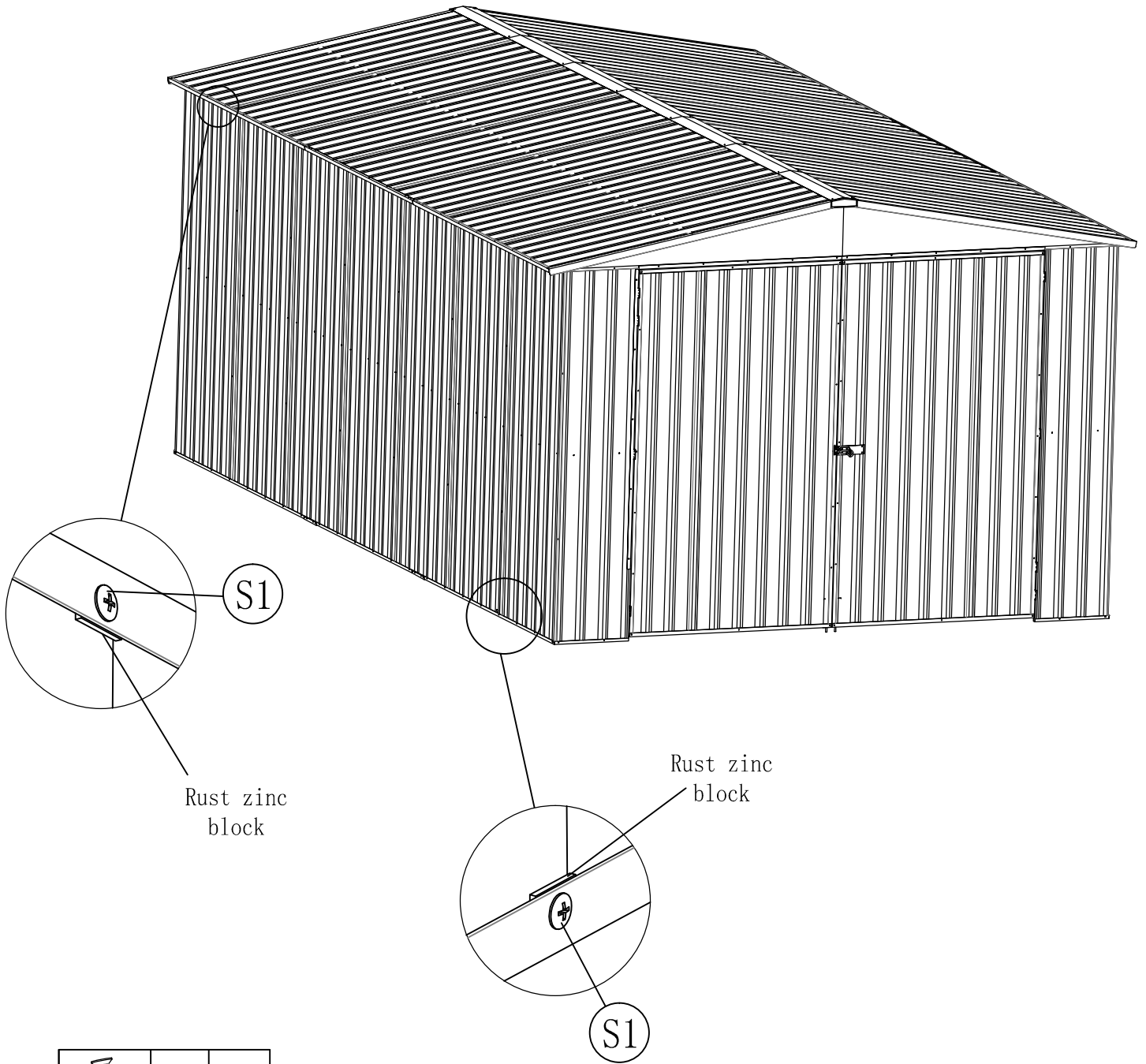



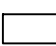
Install the latch in position as shown and fix with S16 or S7.



Fastening the anchor kit onto a concrete pad

1. Mark the spot of the anchor clamps on the ground
2. Use 12mm -0.39" concrete drill bit and drill holes 60mm-2.4" deep
3. Tap concrete fixing bolts into the hole, place anchor clamps, add washer and nut and fasten.



	S1	4
	Rust zinc block	4

Tips: Please make Pre punching in Rust zinc block, which is easy for installing.

BEFORE YOU START - ANALYSIS DIAGRAM

