

PRODUCT OPERATION MANUAL

Product Name: Snow Blower



Catalogue

| | |
|------------------------------------|---|
| I. Safety Instructions | 3 |
| II. Product Instructions | 4 |
| III. Operation Instructions | 5 |
| IV. Maintenance Instructions | 6 |
| V. Storage Instructions | 7 |

I. Safety Instructions

General safety instructions:

1. Before the installation, please be sure to read the manual

Operation and maintenance personnel must be carefully read and be familiar with this manual before installation, operation, and maintenance. Trencher, wrong installation, operation, and maintenance may lead to serious injury or death.

2. Read and understand all safety statement

- ※ Reading familiar with all safety mark and security statement before working ;
- ※ Operation comply with all occupational safety regulations, local laws and regulations and other professional guidelines;
- ※ Assembly, maintenance, operation follow the good work habits.

3. Be familiar with attachments

- ※ Familiar with and understand before operation machine performance and parameter;
- ※ Be carefully inspection machine before working , be sure that all devices debugging when normal before we can carry out the homework;
- ※ Ensure that the machine is installed firmly, change may have damaged parts, ensure that all hydraulic joint and hydraulic devices connected firmly;
- ※ Ensure that all safety mark stick in the correct position and mark font clear.

4. Wear protective clothing

Operation to wear safety clothing, wear protective glasses or mask to prevent operation is splash content cause harm to human body.

5. Don't in any form of machine modified

6. Safe maintenance of machine

- ※ Maintenance tools must be down to level the ground, far away from the traffic and other dangerous places.
- ※ Maintenance should be according to the operating procedures require the use of special tools.

7. Safe operation of a machine

- ※ A drunk or drug response of cases do not operate;
- ※ If anyone enter the homework risk area, should immediately stop machine operation, stop operation, please will machine flat on the ground.

Machine Safety Instructions:

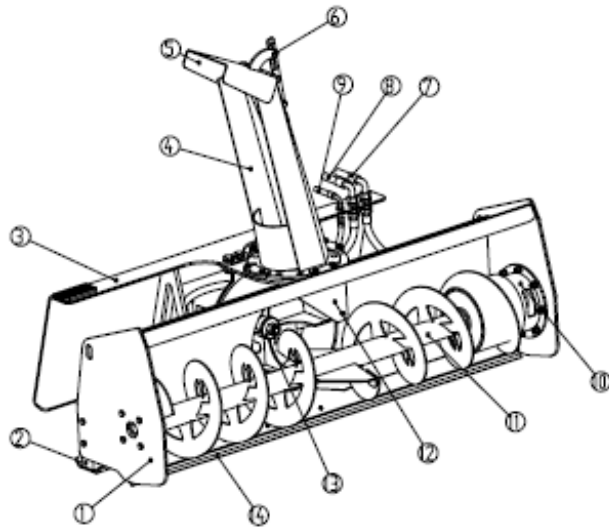
1. Safe operation

- ※ The spectator is far away from machine, usually 3 meters away from the machine;
- ※ The operator must be healthy and forbidden to drink;
- ※ Before stop host machine, firstly put trencher chain flat on the ground, then stop host machine and lock the brake at the same time.
- ※ Use appropriate flow and pressure during working, not higher than the rated value.

Work environment requirements: flat ground and broad vision.

II. Product Instructions

1. Product structure:



- (1) Main frame (2) landing legs (3) hitch fame
 (4) blowing cone (5) blowing cap (6) pin
 (7) oil inlet (8) oil outlet (9)oil drain port (according to host machine)
 (10) Motor mounting tube (11) Rolling device
 (12) Baffle (13) impeller (14) Blade board

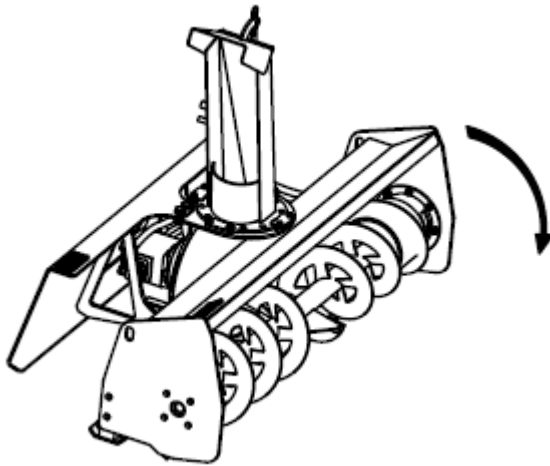
2. Product specifications:

| Item | Unit | 68" | 84" |
|--------------------|-------|--------|--------|
| Operating Width | mm | 1727 | 2130 |
| Throw distance | m | >6 | >6 |
| Operating pressure | MPa | 21 | 21 |
| Operating flow | L/min | 60~100 | 60~100 |
| Weight | kg | 548 | 588 |
| Length | mm | 1130 | 1130 |
| Width | mm | 1795 | 2150 |
| Height | mm | 1580 | 1580 |

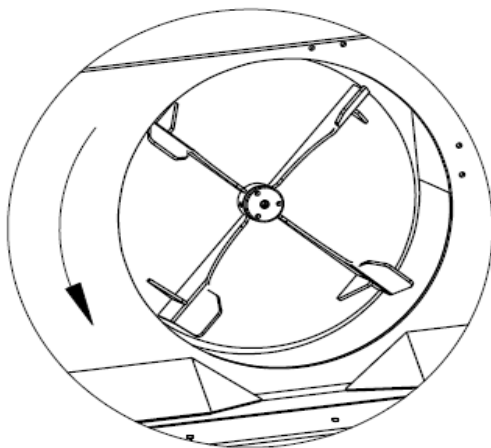
III. Operation Instructions

Details operation instructions are as follows:

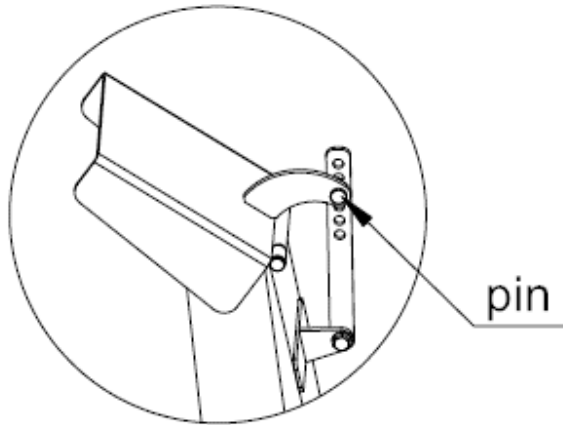
- (1) Before use, check all fasteners connected to host machine firmly;
- (2) Install attachment on the host machine, and ensure that the connection is fasten and reliable;
- (3) oil inlet, oil outlet and oil drain port on attachment connect with host machine oil inlet, oil outlet and oil drain port;
- (4) Rotating direction of rolling device is unidirectional direction. After starting host machine, snow blower is moving in the direction shown below:



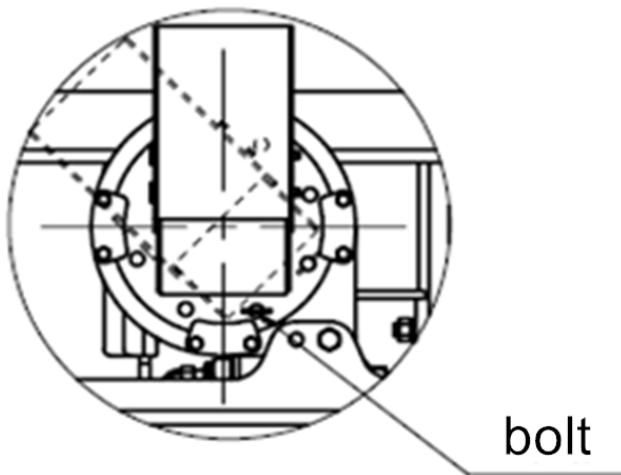
it is same, Rotating direction of throwing device is unidirectional direction. When facing the direction of snow throwing motor axle extension, the right port is a high pressure port (connect oil inlet tubes shows in Products Instruction picture 6), motor output shaft rotates counterclockwise, that is, the snow throwing wheel rotates counterclockwise, as following picture:



- (5) To adjust throwing height, adjust pin position on throwing height adjustment device as needed, see following picture:



(6) To adjust throwing direction, adjust bolt position on the bottom of throwing cone as needed, see following picture:



(7) The machine down to the ground, and the blade board touch with the ground, the host machine to the destination area for operation, so as to achieve the best working results.

IV. Maintenance Instructions

1. Thoroughly clean soil, dirt and grease on product surface;
2. Check all bolt, nut and screw, tighten all loose bolt, nut and screw;
3. Check attachment hydraulic system to see whether there is a leaking phenomenon, it should change leaking tube connectors or tubers in time;
4. Replace damaged or vague security label;
5. If the paint is off or damage, please timely touch-up to prevent rust;
6. This product is oil lubrication, it needs to check oil level. Through circular oil leveler to check oil quantity(two oil levelers on same level and perpendicular to horizontal plane, oil should at 70% of oil leveler), if oil quantity is not enough, filling through oil filler, but not higher than oil leveler.
7. When changing oil, put oil filler at bottom position and remove plug.

V. Storage Instructions

1. Separate attachment and host (host hitch separate from attachment hitch、 put hydraulic tubes down from host), placed in a designated place (such as warehouse, workshop etc.) ;
2. The end of hydraulic tubes is packaged by plastic papers.
3. Attachment should be stored in a dry and non-corrosive environment, in order to avoid attachment surface from rust;
4. To do regular maintenance and servicing on attachments.