








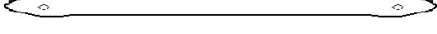

PARTY TENT ASSEMBLY MANUAL

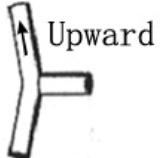

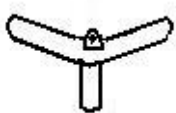
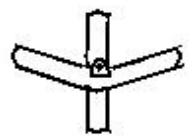
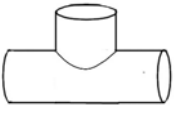
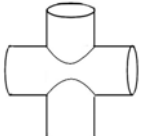
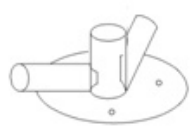
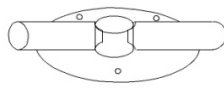

Model: EMC-PT2040

Size: W6m×L12m×H3m

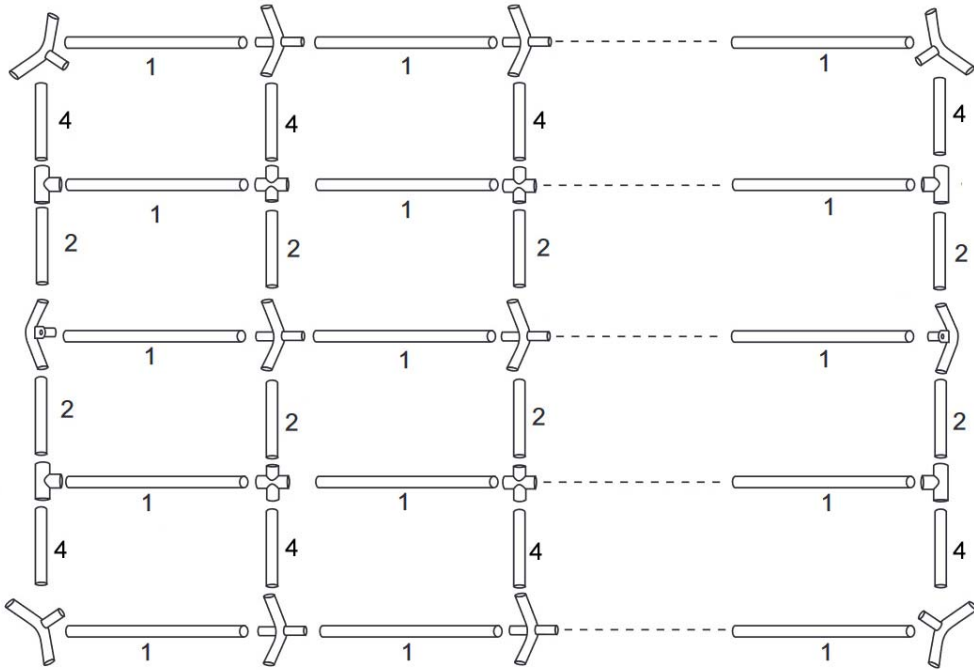


PART LIST

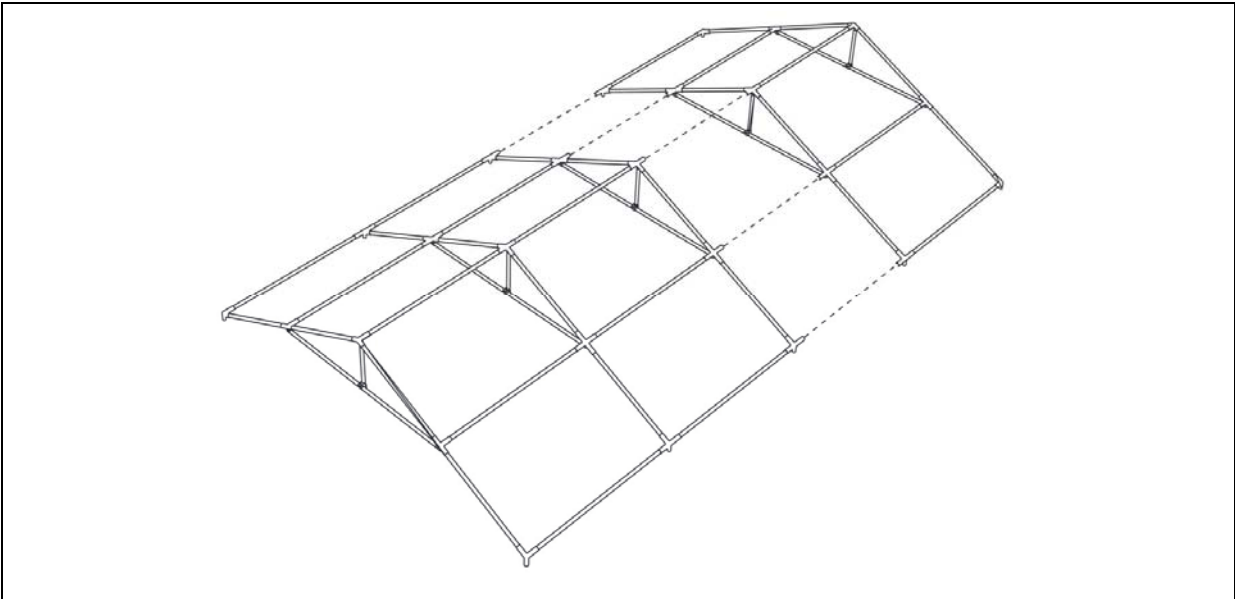
No.	Tube descriptions	Graph	Quantity
1#	1930mm Galvanized Pipe		48
2#	1495mm Galvanized Pipe		14
3#	1930mm Galvanized Pipe (leg tube)		10
4#	1495mm Galvanized Pipe		14
5#	1930mm Galvanized Pipe (leg tube)		4
	1390mm Reinforced bar on top part		14
	510mm Reinforced bar on top part		7

No.	Joint descriptions	Graph	Quantity
A	110°3 Way joint		4
B	110°4 Way joints		10
A1	140°3 Way joints		2
B1	140°4 Way joints		5
A2	Flat 3 Way joints		4
B2	Flat 4 Way joints		10
C	90° 3 Way joints (foot plate)		4
D	180° 3 Way joints (foot plate)		10
E	2 way joints for front and back door		4

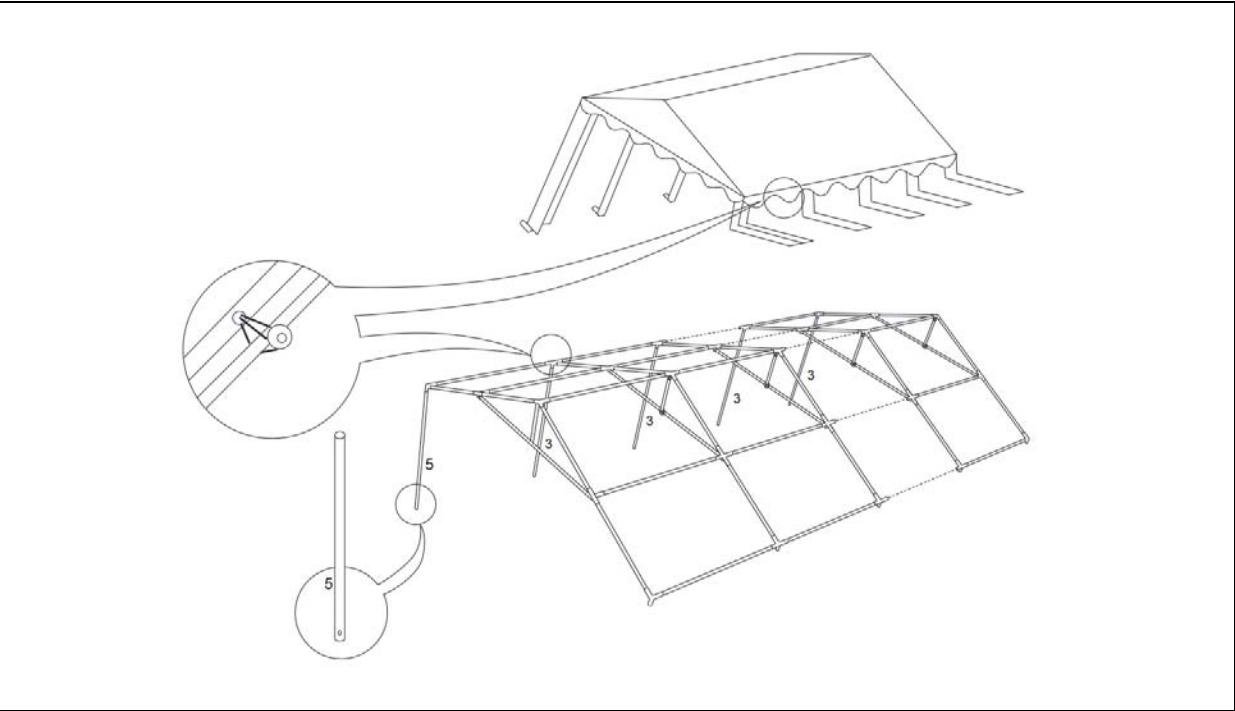
FRAME ASSEMBLY



1. Place all joints , 1495mm pipes and 1930mm pipes on the ground as shown. Push two pipes into the joints, use buttons to fix them.



2. Connect reinforced bars together with butterfly screws.

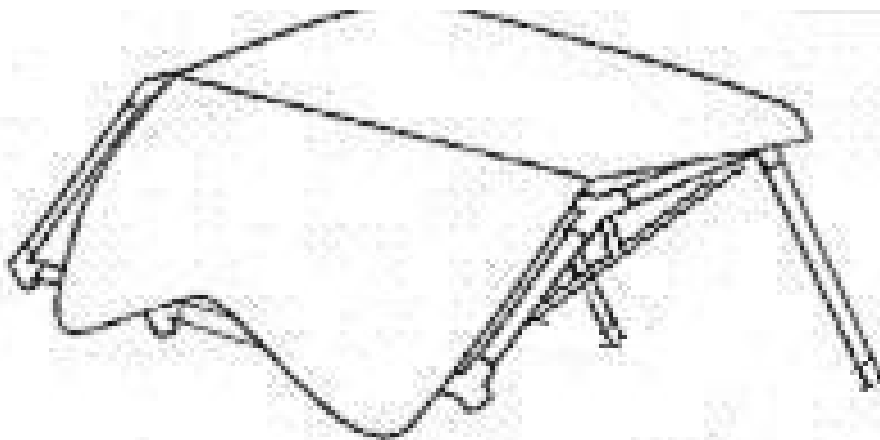
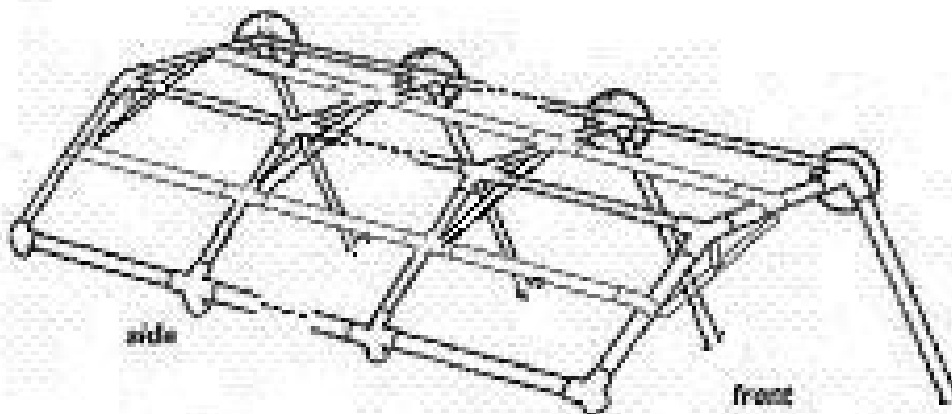


3. Insert leg tubes and connect the legs with ground bars.

COVER ASSEMBLY

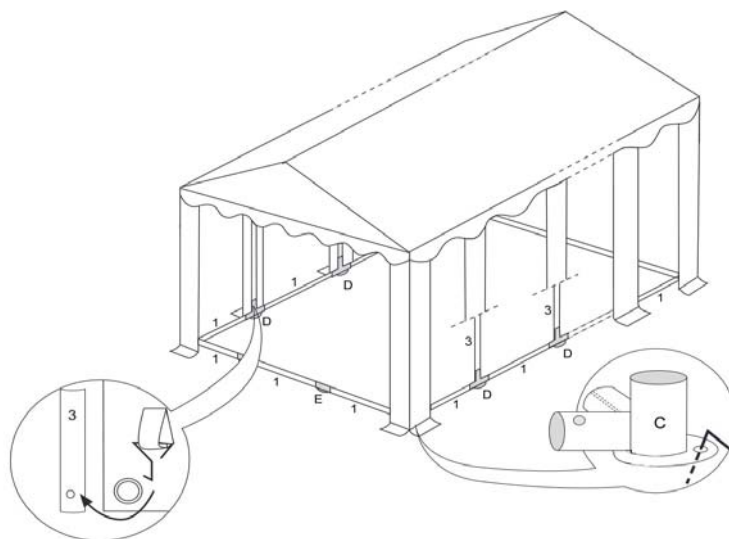
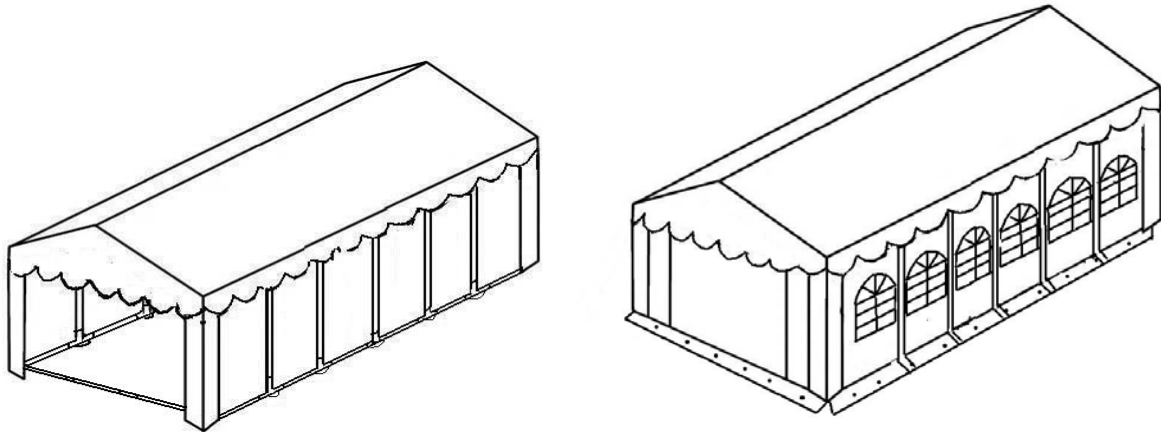
1. Start by lifting one of the frame and inserting legs.
2. Drape cover over frame.
3. Next, lift the other side of the frame and insert remaining legs.
4. Hung up the all side panels and door panels.

NOTE: Loosen the straps on the bottom of the legs when attach the cover. Adjust as needed after the canopy is assembled.



5. Inert the remaining legs and finish attaching cover to frame.

6. Then hung up the all side panels and set up the foot and the ground bar.



NOTE: Do not use the tent in strong wind!