

Skid Steer Trencher

Operation Manual



Catalogue

I. Safety Instructions	3
II. Product Instructions	4
III. Operation Instructions	4
IV. Maintenance Instructions	6
V. Storage Instructions	6

I. Safety Instructions

General safety instructions:

1. Before the installation, please be sure to read the manual

Operation and maintenance personnel must be carefully read and be familiar with this manual before installation, operation, and maintenance. Trencher, wrong installation, operation, and maintenance may lead to serious injury or death.

2. Read and understand all safety statement

- ※ Reading familiar with all safety mark and security statement before working ;
- ※ Operation comply with all occupational safety regulations, local laws and regulations and other professional guidelines;
- ※ Assembly, maintenance, operation follow the good work habits.

3. Be familiar with attachments

- ※ Familiar with and understand before operation machine performance and parameter;
- ※ Be carefully inspection machine before working , be sure that all devices debugging when normal before we can carry out the homework;
- ※ Ensure that the machine is installed firmly, change may have damaged parts, ensure that all hydraulic joint and hydraulic devices connected firmly;
- ※ Ensure that all safety mark stick in the correct position and mark font clear.

4. Wear protective clothing

Operation to wear safety clothing, wear protective glasses or mask to prevent operation is splash content cause harm to human body.

5. Don't in any form of machine modified

6. Safe maintenance of machine

- ※ Maintenance tools must be down to level the ground, far away from the traffic and other dangerous places.
- ※ Maintenance should be according to the operating procedures require the use of special tools.

7. Safe operation of a machine

- ※ A drunk or drug response of cases do not operate;
- ※ If anyone enter the homework risk area, should immediately stop machine operation, stop operation, please will machine flat on the ground.

Machine Safety Instructions:

1. Choose the appropriate venue

The main working medium of such trencher is soil, so the workplace must be selected, to avoid underground hard objects like gravel, to prevent damage to the tool.

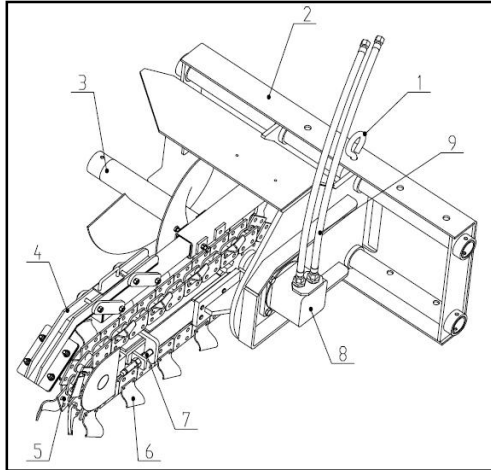
2. Safe operation

- ※ The spectator is far away from machine, usually 3 meters away from the machine;
- ※ The operator must be healthy and forbidden to drink;
- ※ Before stop host machine, firstly put trencher chain flat on the ground, then stop host machine and lock the brake at the same time.
- ※ Use appropriate flow and pressure during working, not higher than the rated value.

II. Product Instructions

1. Product structure:

- ① —plug ②—Connecting frame ③—screw ④—baffle ⑤—Chain
⑥—blade ⑦—adjustable bolt ⑧—motor ⑨—hose



2. Product specifications:

Item	Unit	900/200	1200/300
Digging width	mm	200	300
Digging depth	mm	900	1200
Operating pressure	Mpa	16	16
Operating flow	L/min	50~75	50~75
Weight	kg	320	530
Length	mm	1950	3300
Width	mm	1160	1265
Height	mm	850	600

III. Operation Instructions

1. Before use, make sure all parts are installed correctly, operator should be familiar with safety rules and have a good mental state.

2. Lifting / lowering trencher.

Lifting or lowering trencher is achieved through the appropriate control of host machine's arm level.

Caution- Lifting process should avoid touching high shelf, telephone lines or branches, once touch a telephone line may cause serious injury or death.

3. Tilting Trencher

Operator by controlling up-down or before-after the flip of the attachment to realizes trencher tilting. We recommend trencher and ground plane tilt angle at 60 degrees as the standard.

4. Start or Stop Trencher

Trencher power is achieved through host machine auxiliary hydraulic system oil supply, the oil

through the hydraulic pipe to the hydraulic motor.

Trencher does not have a switch control button, it is controlled by host machine auxiliary hydraulic system to control trencher work. Before starting trencher work, make the hydraulic system work, and before stopping trencher, leaving auxiliary hydraulic system

5. Speed Control

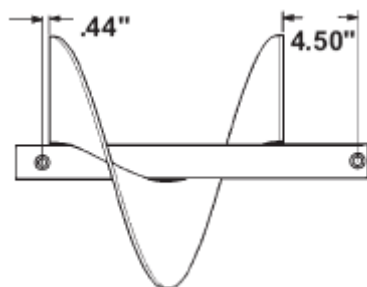
Trencher power is provided by hydraulic oil, the speed and power of trencher are determined by hydraulic oil flow in hydraulic system, and its speed is adjusted by the speed of the engine. To increase trencher speed, it is necessary to increase the engine speed, to reduce trencher speed it need to reduce the engine speed.

Do not overload the engine when you first start the trencher, otherwise it will increase the impact on machine and operator.

6. Screw Height

When using 4.5 inch to 6 inch chain, screw must be installed near narrow end of the chain.

When using 8inch to 12 inch chain, screw must be installed near wide end of the chain. (If not installed in appropriate position, it will interfere trencher digging, the chain will be damaged)



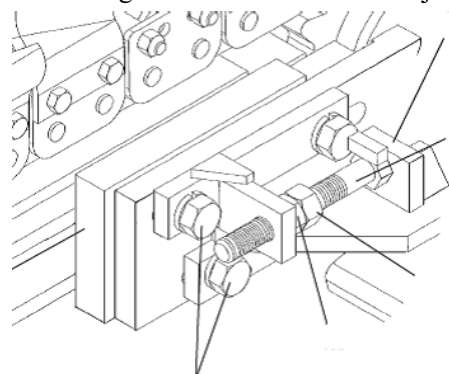
Screw are fixed to host machine by screws, but height of the screw can not be adjusted separately. In order to raise the spiral, it is necessary to raise the trencher as described above in order to raise the spiral.

lowering trencher will cause the spiral to decrease. Raising or lowering trencher will change the screw height and change trenching depth.

7. Chain Tension Adjustment

The digging chain must be adjusted, so chain should be as loose as possible, but not from the sprocket or idler, so there must be a regulating device.

There is an adjust bolt on left side of trencher arm end, and there is lock nut on adjust bolt. In order to tighten the chain and adjust nut to appropriate



position, turn standard nut to the adjusting bolt, it will push the chain skeleton outwards, so it can tighten the chain. To release the chain, it can be used with the opposite method.

8. Do not dig earth with stones or hard goods to prevent damage on trencher blade, if there is a serious blade wearing, replace the blade in time to ensure the normal work.

IV. Maintenance Instructions

1. Always keep hydraulic oil clean, keep the hose connector clean, if the hydraulic oil mixed with dirty, it may lead to whole working system to fail;
2. Daily inspection of all hydraulic pipes to ensure that hydraulic pipe connection is intact, the pipe without distortion, wear, cracking, and joints without spilling oil;
3. Daily check oil quantity, timely refueling;
4. Daily check machine all parts and components, to make sure all parts steady and reliable;

If there is paint loss or damage, please timely fill paint to prevent rust.

※Please pay attention to protect the product nameplate, product nameplate is incomplete or missing will not be able to guarantee.

V. Storage Instructions

1. During storage, hydraulic tubes, motor interface should be sealed, and remove all piece, dirt and grease on attachment.
2. After use, trencher chain and blade are cleaned with the high pressure water gun.